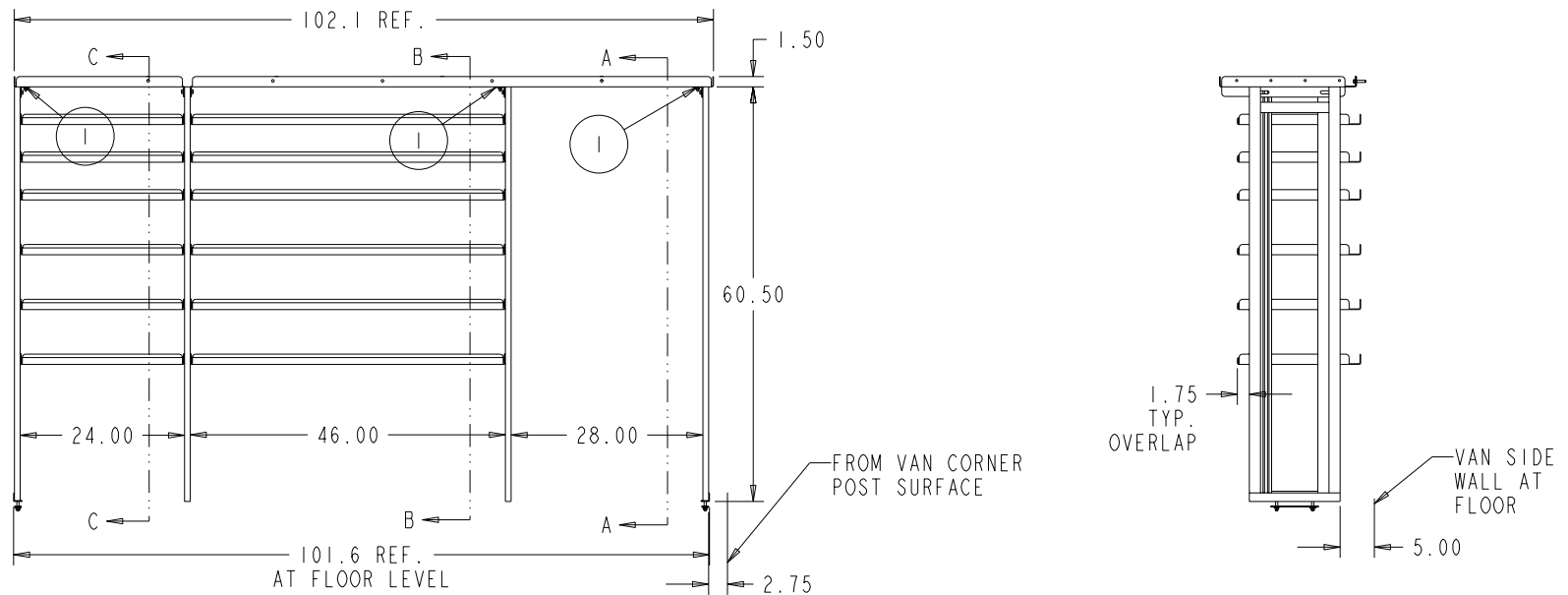


								ITEM NUMBER		385312
BBL NO.	ITEM DESCRIPTION	LENGTH	WIDTH	WEIGHT	MATL CODE	QTY REQD	ITEM NO.	MODEL NAME		
1	ANGLE-.10X1.50X1.50X 13.25	13.250	2.810	0.334	BB2	3	385287	P15C0410		
2	BAR-FLAT 1.00X.12X 7.00	7.000		0.239	B12	2	385241	385241		
3	NUT-HEX .25 P			0.007	E1	9	1378	1378		
4	NUT-HEX M8 x 1.25 SST			0.011	E1	4	820637	820637		
5	NUT-UNISTRUT W/O SPRING .38-16			0.086	C4	58	802807	802807		
6	SCREW-CARRIAGE .25X .75			0.018	E0	9	1430	1430		
7	SCREW-HEX M8-1.25x40MM SST			0.048	E0	8	820664	820664		
8	SCREW-HEX .38X .75 GR5	0.750		0.043	E0	58	802804	802804		
9	SHELF-TOP 20"x24.88"	24.875	20.000	5.854	BB2	1	385298	P15C0411		
10	SHELF-TOP 20"x76.38"	76.375	20.000	17.142	BB2	1	385299	P15C0409		
11	SHELF-TRAY 18"x24"	24.000	18.000	5.183	BB2	6	385296	P15C0418		
12	SHELF-TRAY 18"x46"	46.000	18.000	9.633	BB2	6	385297	P15C0419		
13	UNISTRUT ASM-DOUBLE			9.386	ZA	2	385288	385288		
14	UNISTRUT ASM-SINGLE			6.188	ZA	2	385289	385289		
15	WASHER-FLAT .38 D-SHAPED			0.007	E2	62	816154	816154		
16	WASHER-FLAT M8 SST			0.007	E2	8	820670	820670		
17	WASHER-LOCK .25			0.002	E2	9	1372	1372		
18	WASHER-LOCK M8 SST			0.004	E2	8	820638	820638		



VIEWED FROM AISLE

CNUMBER	TRANSIT	WEIGHT	154.537	TOLERANCE UNLESS OTHERWISE SPECIFIED
ROUTING	FINAL	MATL CODE	ZA	.XX=+/- .060 XXX=+/- .030
ITEM NO	385312	SHAPE DESC		
RAW/MATL		HRS	0.000	
DRAWN BY	LCS	DATE	11 APR 13	DESCRIPTION
APPROVED BY		DATE		vthackney.com hackney.com kidron.com vtvisioncomms.com
SUPERSEDES		SUPERSEDED BY		SCALE
				0.080



VT Hackney
A company of VT Systems



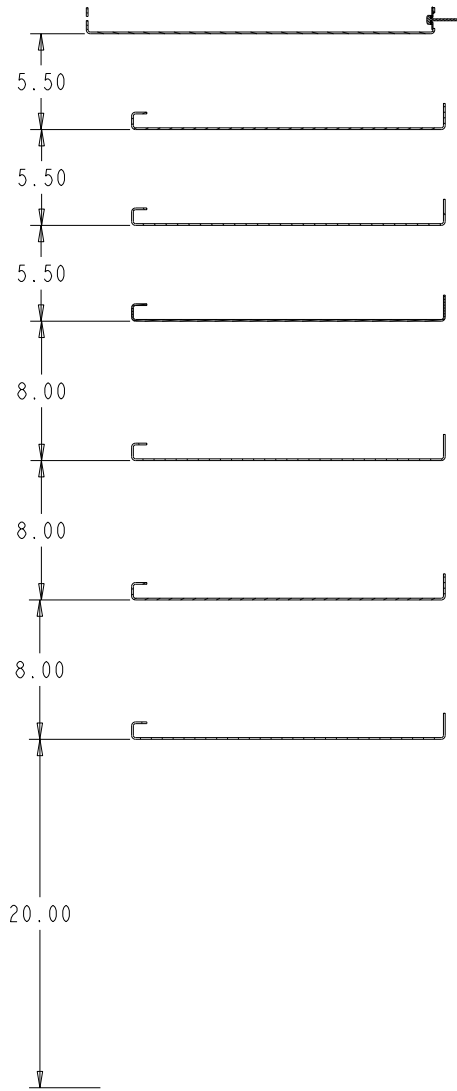
252-946-6521

SHELF ASM-CURBSIDE FORD TRANSIT SHELF OPTION "TC2"

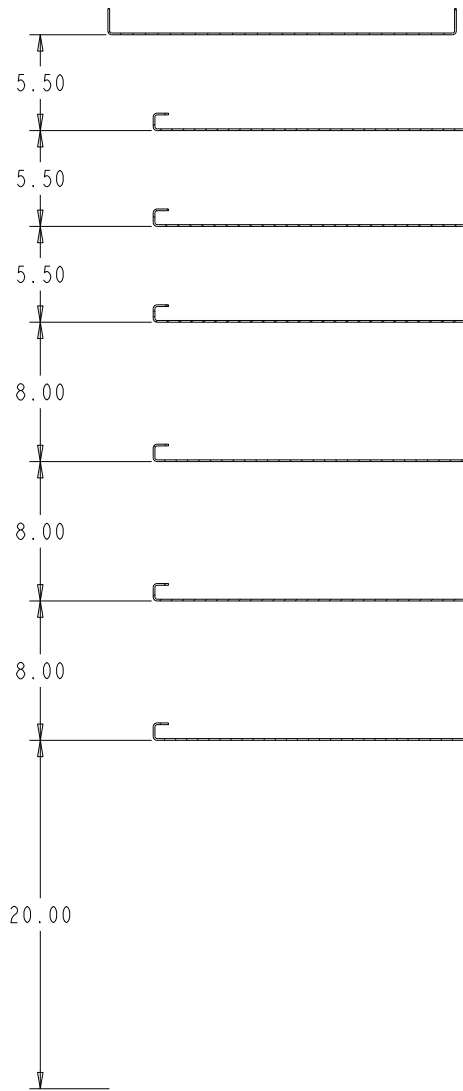
VisionComms

THIS PRINT AND ALL RIGHTS TO THE DESIGN AND DETAIL THEREON ARE THE PROPERTY OF VT HACKNEY AND IS LOANED TO THE RECIPIENT SUBJECT TO RETURN UPON DEMAND. ITS CONTENTS ARE CONFIDENTIAL AND MUST NOT BE COPIED OR SUBMITTED TO OUTSIDE PARTIES FOR USE OR EXAMINATION. COPYRIGHT 2015 VT HACKNEY A COMPANY OF VT SYSTEMS

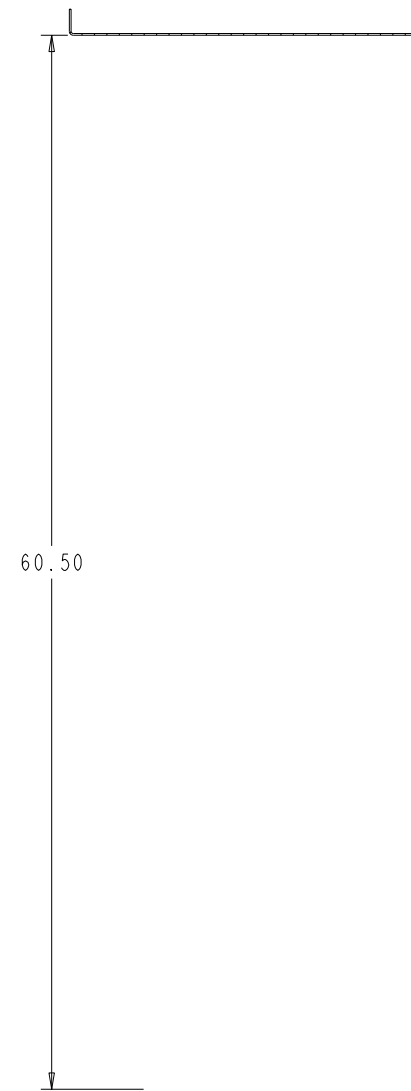
REV	REVISION DESCRIPTION	ECN	DATE	INITIALS





SECTION C-C

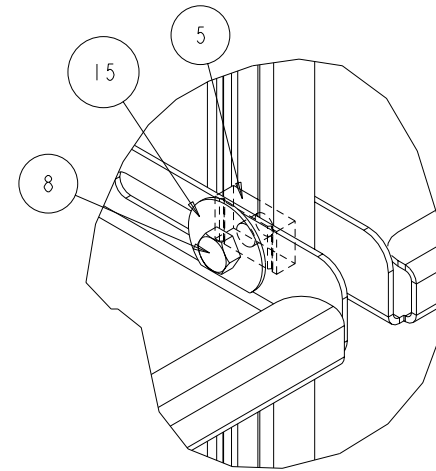
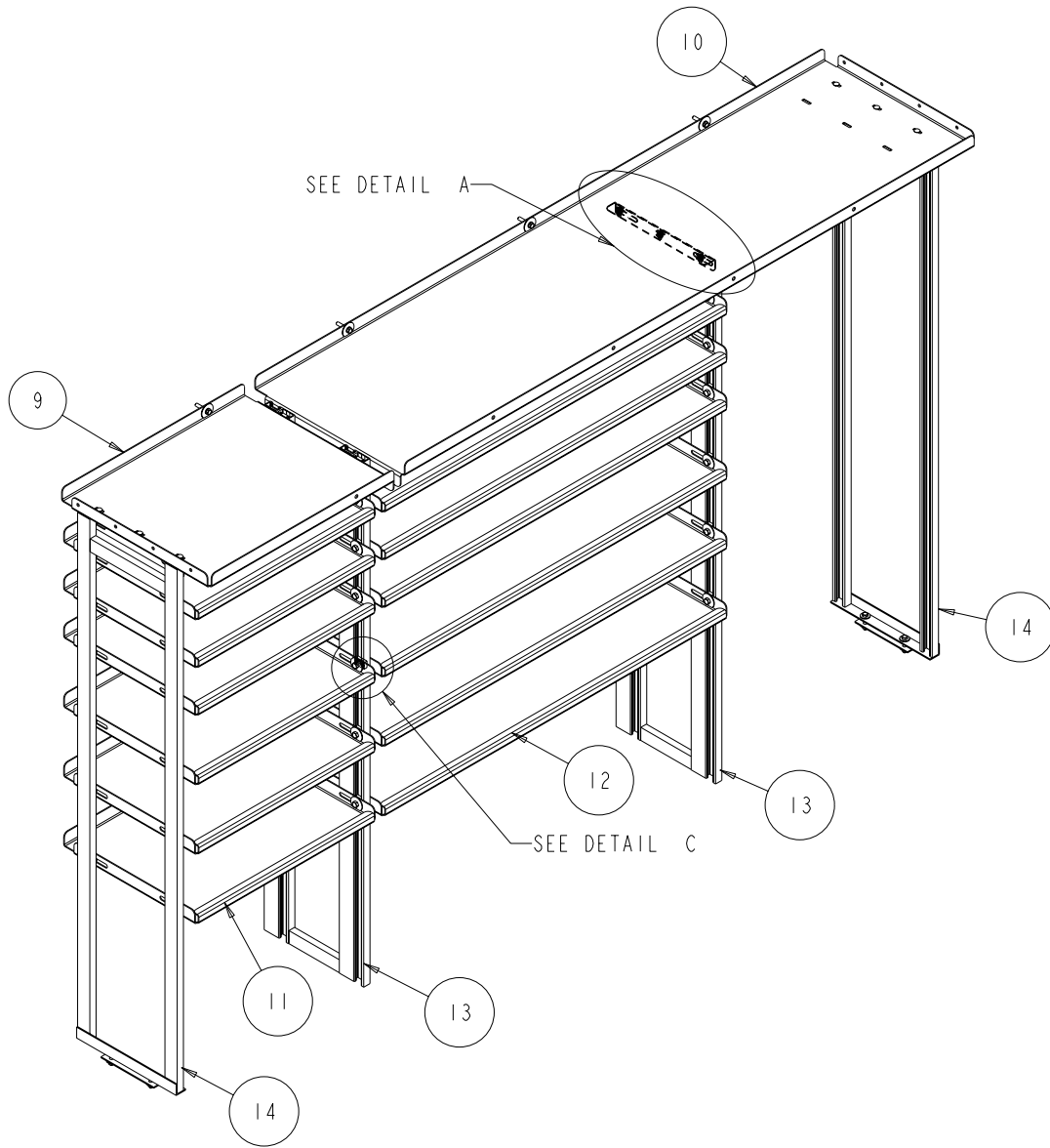


SECTION B-B

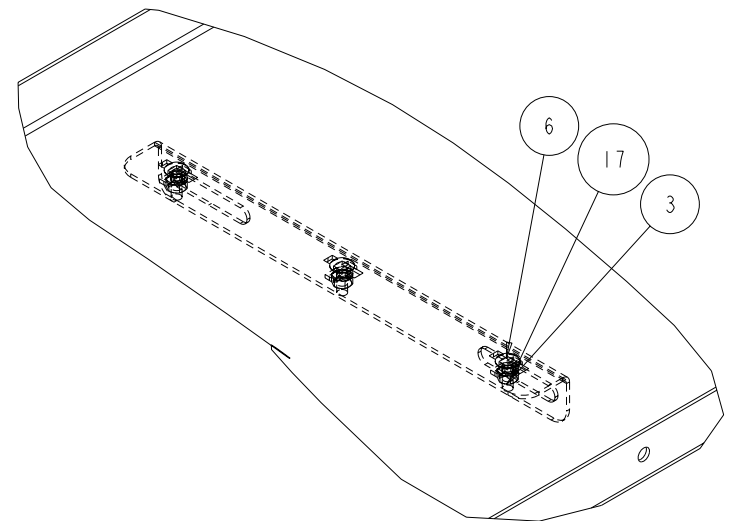


SECTION A-A

CNUMBER	WEIGHT	TOLERANCE UNLESS OTHERWISE SPECIFIED	 VT Hackney A company of VT Systems	
TRANSIT	154.537			
ROUTING	MATL CODE	.XX=+/- .060	vtackney.com hackney.com kidron.com vtvisioncomms.com	VisionComms
FINAL	ZA	.XXX=+/- .030		
ITEM NO	SHAPE DESC			
385312			DESCRIPTION	
RAW_MATL	HRS			252-946-6521
	0.000		SHELF ASM-CURBSIDE FORD TRANSIT SHELF OPTION "TC2"	
DRAWN BY	DATE		SCALE	DWG NAME
LCS	29-Nov-11		0.200	P15C0458 Sheet 2 of 4
APPROVED BY	DATE			
SUPERSEDES	SUPERSEDED BY			



TYP. SHELF HARDWARE
 DETAIL C
 SCALE 0.800



DETAIL A
 SCALE 0.500

CNUMBER	WEIGHT	TOLERANCE UNLESS OTHERWISE SPECIFIED
TRANSIT	154.537	
ROUTING	MATL CODE	
FINAL	ZA	.XX=+/- .060 XXX=+/- .030
ITEM NO	SHAPE DESC	
385312		
RAW_MATL	HRS	
	0.000	
DRAWN BY	DATE	DESCRIPTION
LCS	29-Nov-11	vtackney.com hackney.com kidron.com vtvisioncomms.com
APPROVED BY	DATE	SHELF ASM-CURBSIDE FORD TRANSIT SHELF OPTION "TC2"
SUPERSEDES	SUPERSEDED BY	SCALE
		0.125



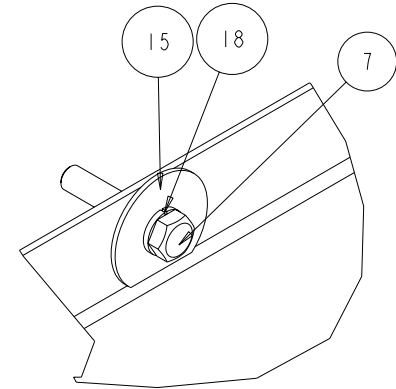
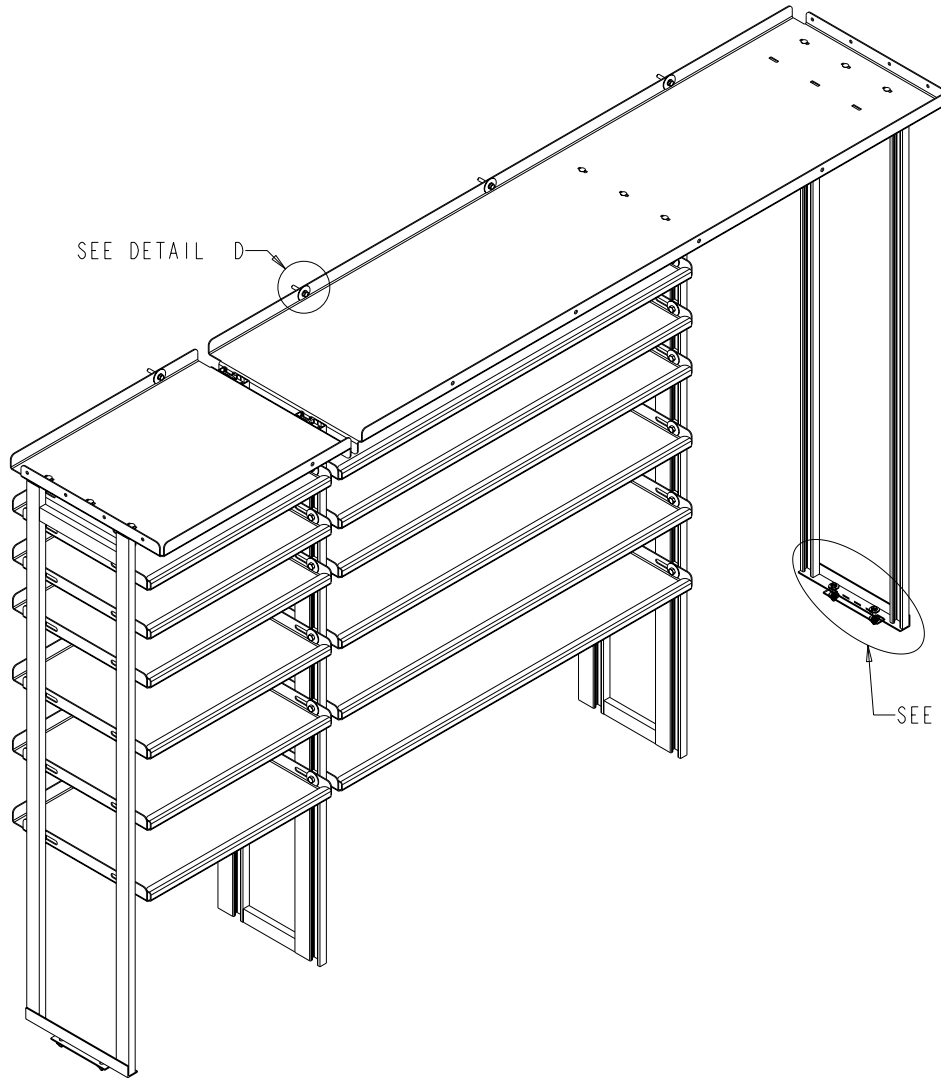
VT Hackney
 A company of VT Systems

Hackney

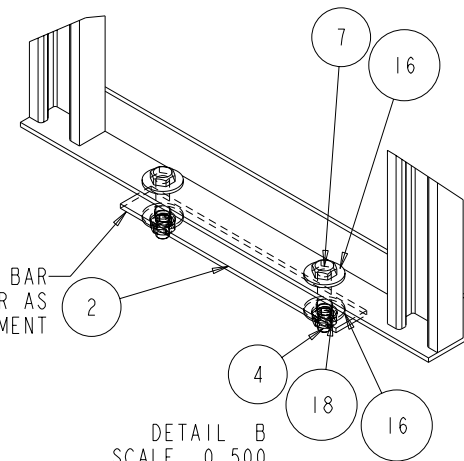


VisionComms

ATTACHMENT DETAILS






DETAIL D
SCALE 1.000



INSTALL FLAT BAR
UNDER FLOOR AS
REINFORCEMENT

DETAIL B
SCALE 0.500
TYPICAL BOLT
THRU FLOOR

NUMBER	WEIGHT	TOLERANCE UNLESS OTHERWISE SPECIFIED	 VT Hackney A company of VT Systems	
TRANSIT	154.537			
ROUTING	MATL CODE	.XX=+/- .060 XXX=+/- .030		
FINAL	ZA			
ITEM NO	SHAPE DESC		252-946-6521 vtackney.com hackney.com kidron.com vtvisioncomms.com VisionComms	
385312				
RAW MATL	HRS		SHELF ASM.-CURBSIDE FORD TRANSIT SHELF OPTION "TC2"	
	0.000			
DRAWN BY	DATE		SCALE 0.125 DWG NAME	
LCS	29-Nov-11			
APPROVED BY	DATE		P15C0458 Sheet 4 of 4	
SUPERSEDES	SUPERSEDED BY			