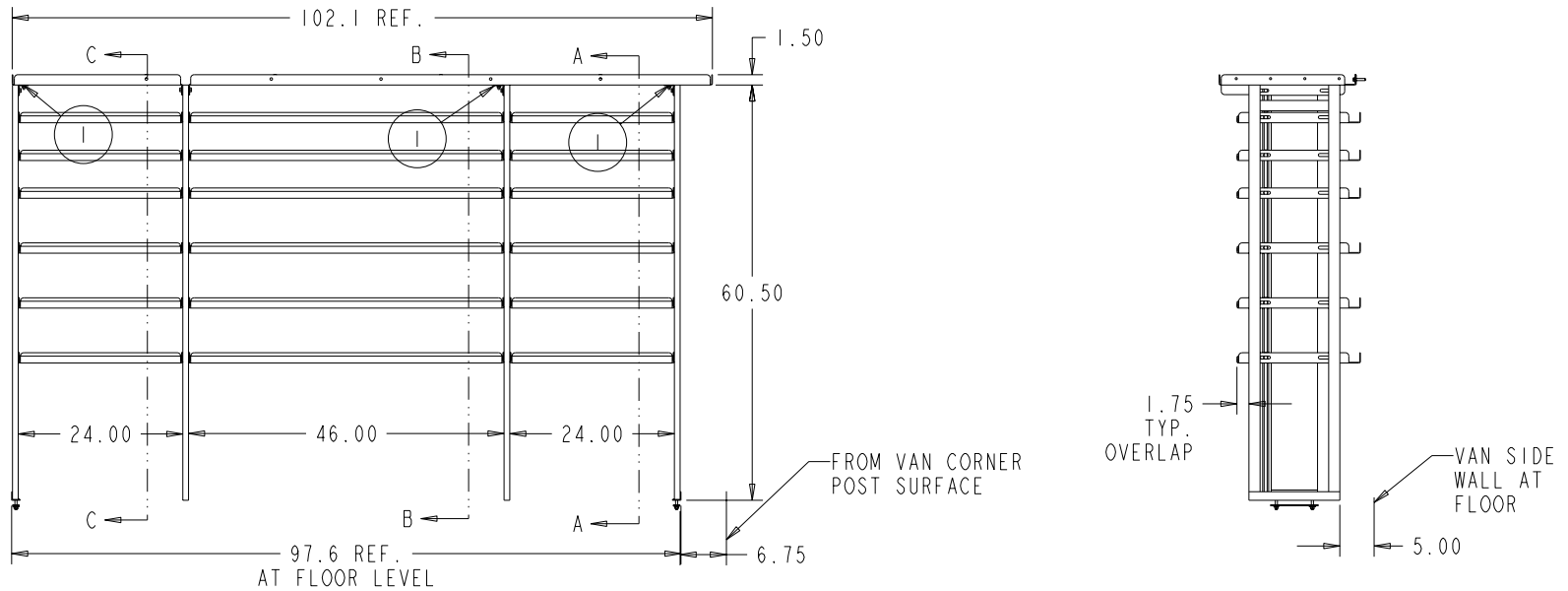


BBL NO.	ITEM DESCRIPTION	LENGTH	WIDTH	WEIGHT	MATL CODE	QTY REQD	ITEM NO.	MODEL NAME
1	ANGLE-.10X1.50X1.50X 13.25	13.250	2.810	0.334	BB2	3	385287	P15C0410
2	BAR-FLAT 1.00X.12X 7.00	7.000		0.239	B12	2	385241	385241
3	NUT-HEX .25 P			0.007	E1	9	1378	1378
4	NUT-HEX M8 x 1.25 SST			0.011	E1	4	820637	820637
5	NUT-UNISTRUT W/O SPRING .38-16			0.086	C4	82	802807	802807
6	SCREW-CARRIAGE .25X .75			0.018	E0	9	1430	1430
7	SCREW-HEX M8-1.25x40MM SST			0.048	E0	8	820664	820664
8	SCREW-HEX .38X .75 GR5	0.750		0.043	E0	82	802804	802804
9	SHELF-TOP 20"x24.88"	24.875	20.000	5.854	BB2	1	385298	P15C0411
10	SHELF-TOP 20"x76.38"	76.375	20.000	17.142	BB2	1	385299	P15C0409
11	SHELF-TRAY 18"x24"	24.000	18.000	5.183	BB2	12	385296	P15C0418
12	SHELF-TRAY 18"x46"	46.000	18.000	9.633	BB2	6	385297	P15C0419
13	UNISTRUT ASM-DOUBLE			9.386	ZA	2	385288	385288
14	UNISTRUT ASM-SINGLE			6.188	ZA	2	385289	385289
15	WASHER-FLAT .38 D-SHAPED			0.007	E2	86	816154	816154
16	WASHER-FLAT M8 SST			0.007	E2	8	820670	820670
17	WASHER-LOCK .25			0.002	E2	9	1372	1372
18	WASHER-LOCK M8 SST			0.004	E2	8	820638	820638



VIEWED FROM AISLE

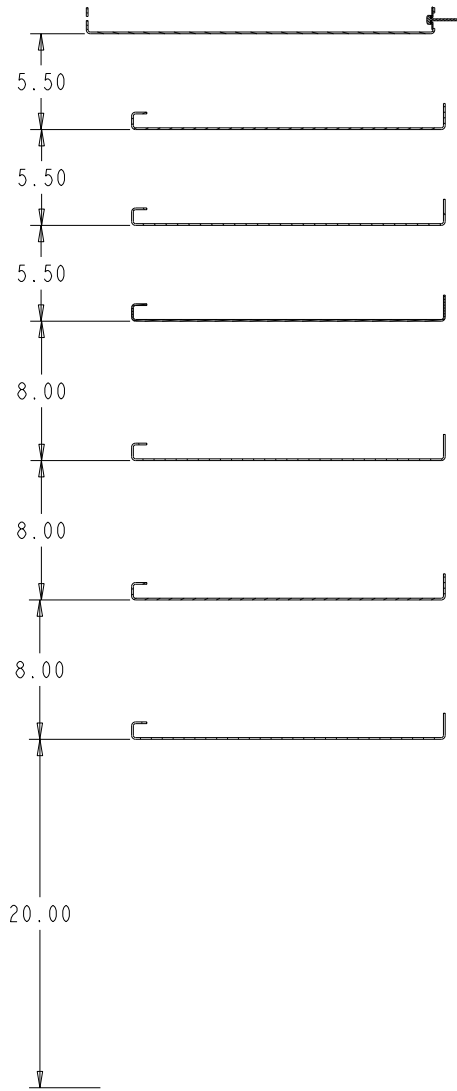
CNUMBER	TRANSIT	WEIGHT	189.400	TOLERANCE UNLESS OTHERWISE SPECIFIED
ROUTING	FINAL	MATL CODE	ZA	.XX=+/- .060 XXX=+/- .030
ITEM NO	385300	SHAPE DESC		
RAW/MATL		HRS	0.000	
DRAWN BY	LCS	DATE	11 APR 13	DESCRIPTION
APPROVED BY		DATE		SHELF ASM-CURBSIDE FORD TRANSIT SHELF OPTION "TC1"
SUPERSEDES		SUPERSEDED BY		SCALE
				0.080
				DWG NAME



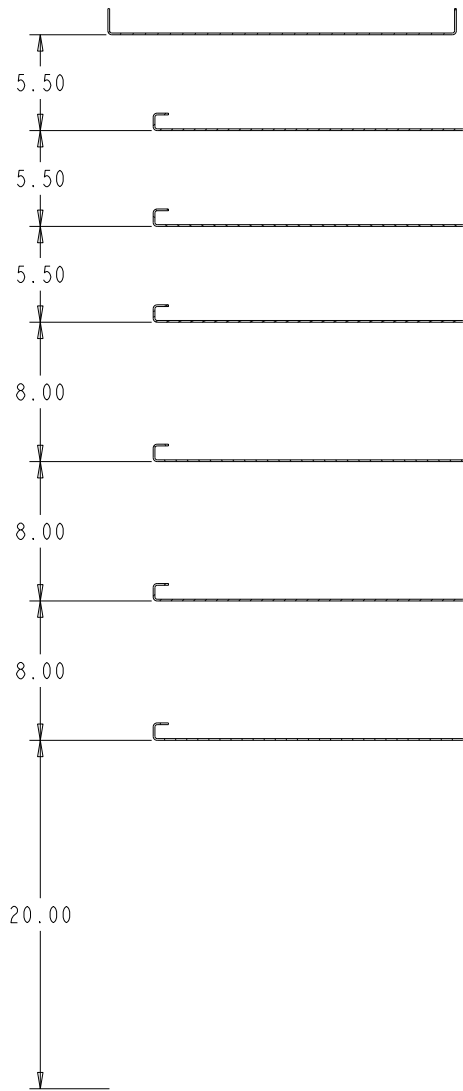
252-946-6521  
 vtackney.com hackney.com kidron.com vtvisioncomms.com VisionComms

THIS PRINT AND ALL RIGHTS TO THE DESIGN AND DETAIL THEREON ARE THE PROPERTY OF VT HACKNEY AND IS LOANED TO THE RECIPIENT SUBJECT TO RETURN UPON DEMAND. ITS CONTENTS ARE CONFIDENTIAL AND MUST NOT BE COPIED OR SUBMITTED TO OUTSIDE PARTIES FOR USE OR EXAMINATION. COPYRIGHT 2015 VT HACKNEY A COMPANY OF VT SYSTEMS

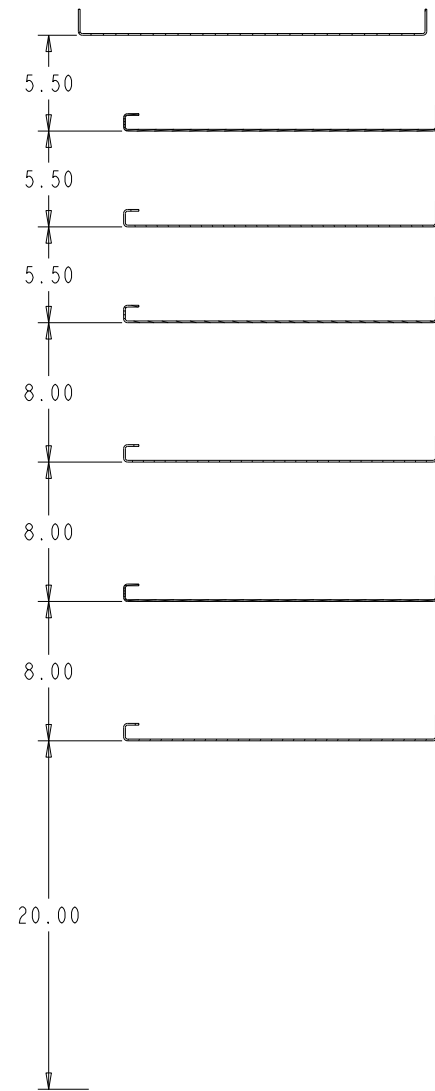
REV	REVISION DESCRIPTION	ECN	DATE	INITIALS






SECTION C-C

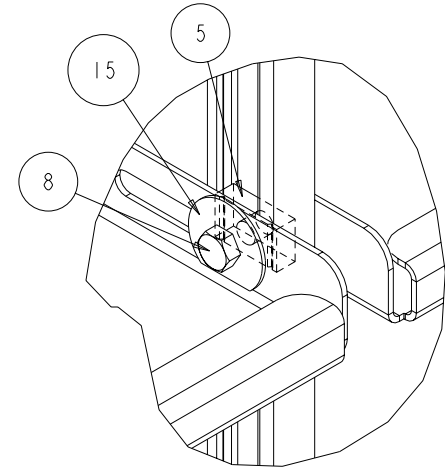
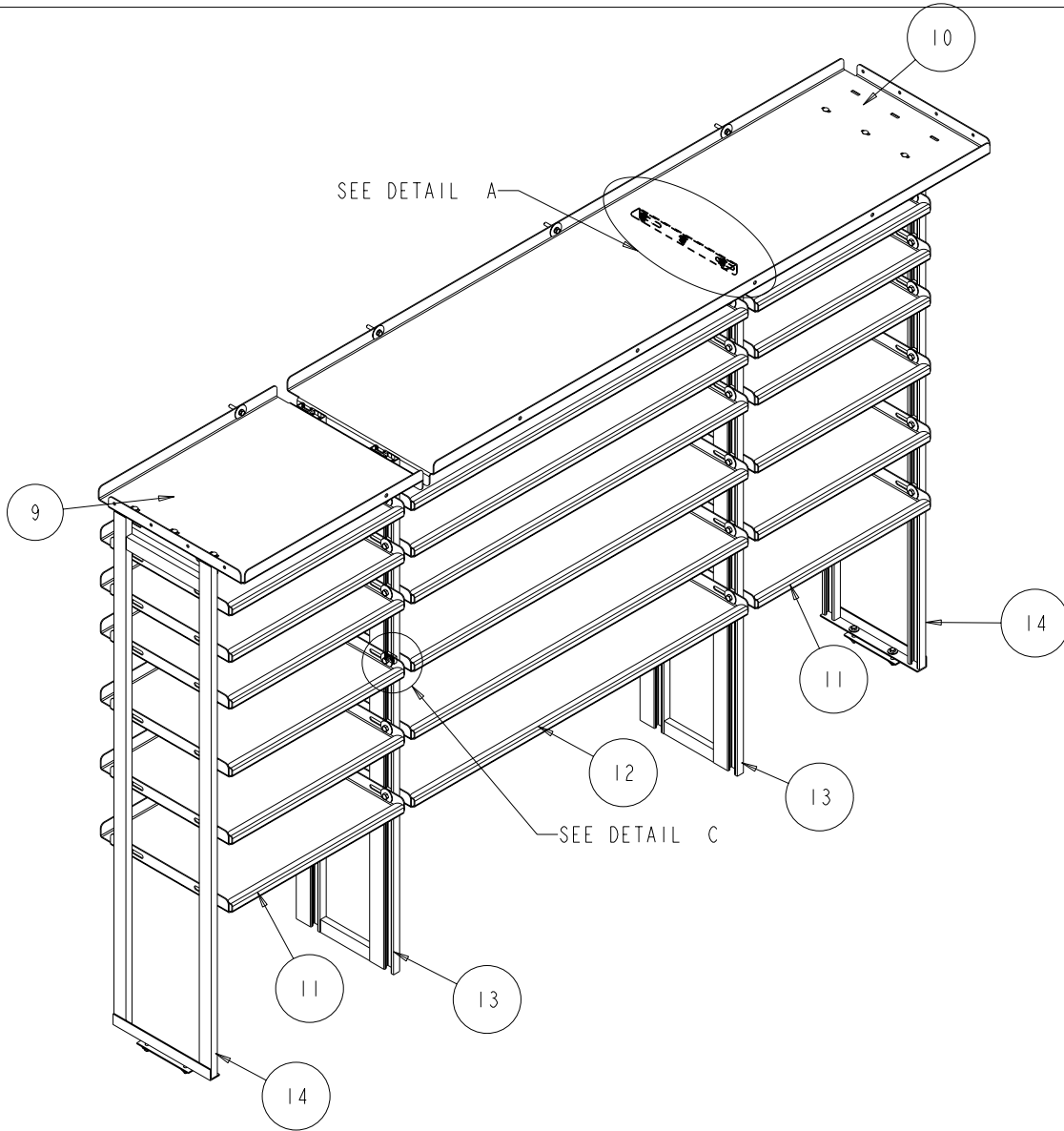


SECTION B-B

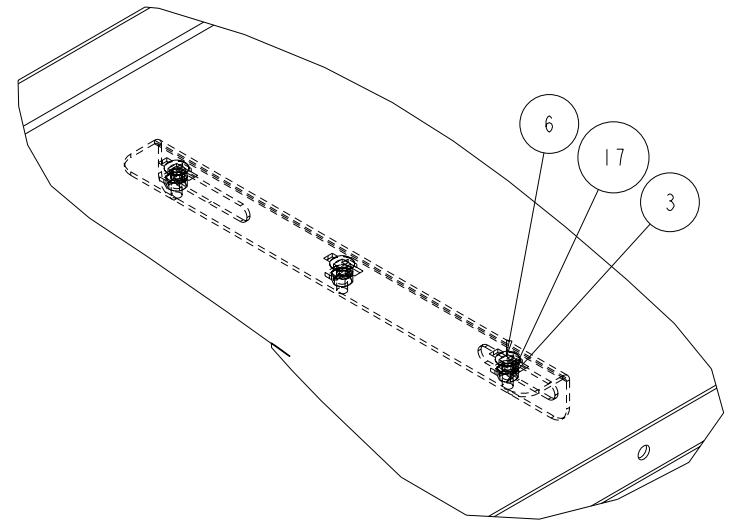


SECTION A-A

CNUMBER	WEIGHT	TOLERANCE UNLESS OTHERWISE SPECIFIED	 <b>VT Hackney</b> A company of VT Systems	
TRANSIT	189.400			
ROUTING	MATL CODE	.XX=+/- .060		
FINAL	ZA	XXX=+/- .030		
ITEM NO	SHAPE DESC		252-946-6521 vtackney.com hackney.com kidron.com vtvisioncomms.com <b>VisionComms</b>	
385300				
RAW_MATL	HRS	DESCRIPTION	<b>SHELF ASM-CURBSIDE FORD TRANSIT SHELF OPTION "TC1"</b>	
	0.000			
DRAWN BY	DATE			
LCS	29-Nov-11		SCALE	DWG NAME
APPROVED BY	DATE		0.200	P15C0412 Sheet 2 of 4
SUPERSEDES	SUPERSEDED BY			



TYP. SHELF HARDWARE  
DETAIL C  
SCALE 0.800



DETAIL A  
SCALE 0.500

CNUMBER	WEIGHT	TOLERANCE UNLESS OTHERWISE SPECIFIED
TRANSIT	189.400	
ROUTING	MATL CODE	
FINAL	ZA	.XX=+/- .060 XXX=+/- .030
ITEM NO	SHAPE DESC	
385300		
RAW_MATL	HRS	
	0.000	
DRAWN BY	DATE	DESCRIPTION
LCS	29-Nov-11	vtackney.com hackney.com kidron.com vtvisioncomms.com
APPROVED BY	DATE	<b>SHELF ASM-CURBSIDE FORD TRANSIT SHELF OPTION "TC1"</b>
SUPERSEDES	SUPERSEDED BY	SCALE
		0.125



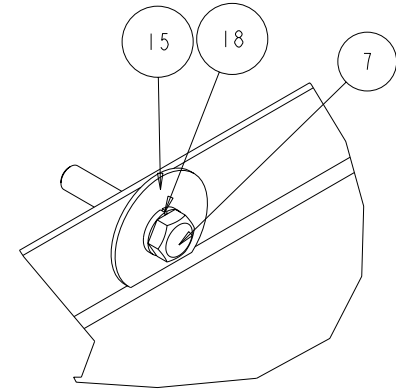
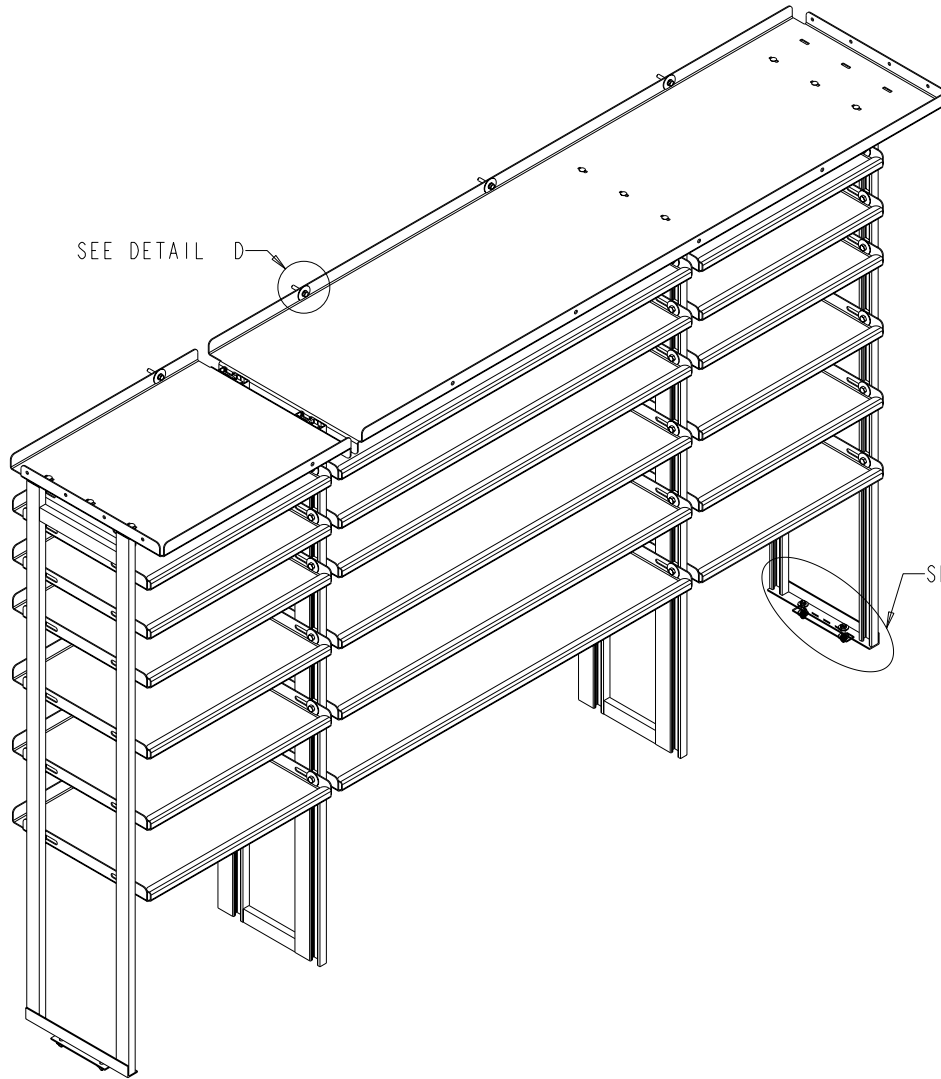
**VT Hackney**  
A company of VT Systems

**Hackney**

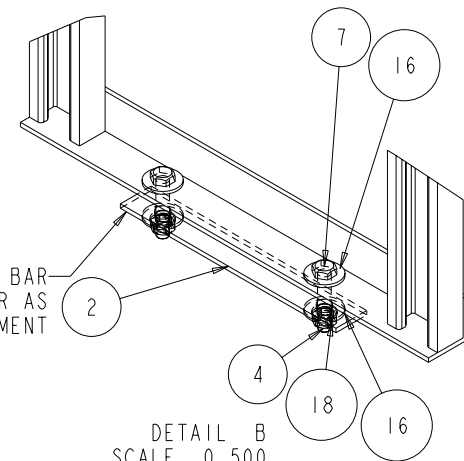


**VisionComms**

# ATTACHMENT DETAILS



DETAIL D  
SCALE 1.000



INSTALL FLAT BAR  
UNDER FLOOR AS  
REINFORCEMENT

DETAIL B  
SCALE 0.500  
TYPICAL BOLT  
THRU FLOOR

CNUMBER	WEIGHT	TOLERANCE UNLESS OTHERWISE SPECIFIED
TRANSIT	189.400	
ROUTING	MATL CODE	
FINAL	ZA	.XX=+/- .060 XXX=+/- .030
ITEM NO	SHAPE DESC	
385300		
RAW MATL	HRS	
	0.000	
DRAWN BY	DATE	DESCRIPTION
LCS	29-Nov-11	vthackney.com hackney.com kidron.com vtvisioncomms.com
APPROVED BY	DATE	<b>SHELF ASM-CURBSIDE FORD TRANSIT SHELF OPTION "TCI"</b>
SUPERSEDES	SUPERSEDED BY	SCALE
		0.125



**VT Hackney**  
A company of VT Systems

**Hackney**



**VisionComms**