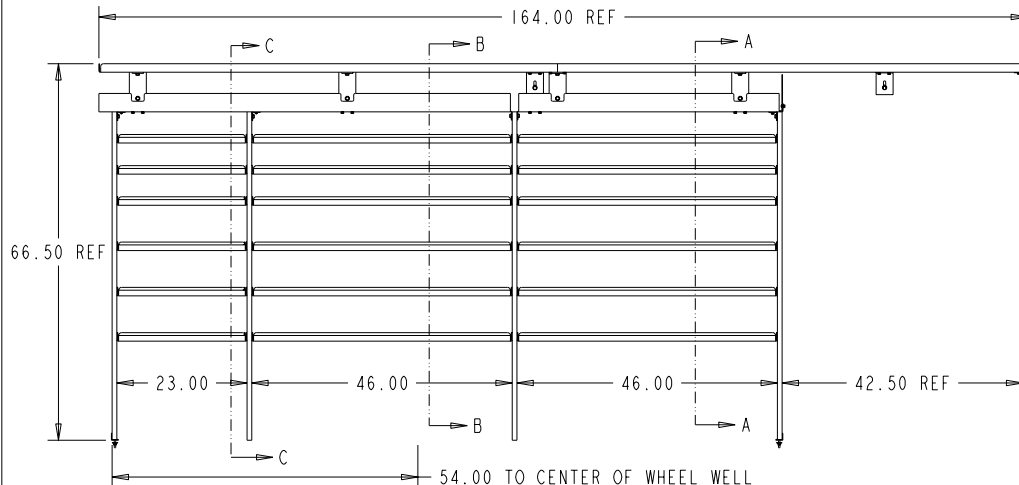


386488

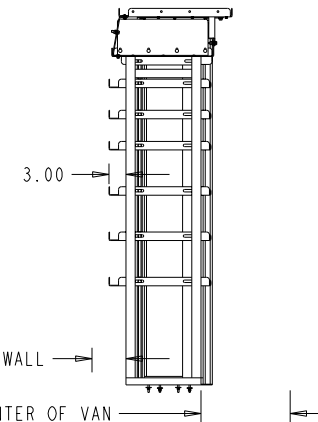
NOTE:
FOR OPTIONAL SHELF LINER KIT,
USE #386492

BBL NO.	ITEM DESCRIPTION	WEIGHT	MATL CODE	QTY REQD	ITEM NO.	MODEL NAME
1	ANGLE-.10X1.50X1.50 13.25	0.334	BB2	4	385287	PI5C0410
2	CHANNEL-LADDER SUPPORT	0.317	BB1	4	386448	PI6C0395
3	NUT-HEX .25 SST	0.007	E1	48	807862	807862
4	NUT-HEX .38 LK	0.018	E1	13	1485	1485
5	NUT-UNISTRUT W/O SPRING .38-16	0.086	C4	84	802807	802807
6	PIPE STOP SHEET	1.127	BB2	1	386422	PI6C0285
7	SCREW-CARRIAGE .25X .50	0.013	E0	42	826255	826255
8	SCREW-HEX 3/8-13X 1.00 FLANGE	0.059	E1	13	1490	1490
9	SCREW-HEX.25X1.50 SST	0.027	E0	6	803172	803172
10	SCREW-HEX.38X .75 GR5	0.043	E0	84	802804	802804
11	SHEET-.12X 4.00X 19.50	9.610	BB1	1	386447	PI6C0394
12	SHELF-LADDER LH	17.981	BB2	1	386449	PI6C0396
13	SHELF-LADDER RH 83"	18.417	BB2	1	386455	PI6C0542
14	SHELF-TOP 18"x47.00"	10.834	BB2	1	386415	PI6C0298
15	SHELF-TOP 18"x73"	16.489	BB2	1	386416	PI6C0183
16	SHELF-TRAY 18"x23"	4.981	BB2	6	386376	SHELF_3_DS
17	SHELF-TRAY 18"x46"	9.633	BB2	6	385297	SHELF_1_DS
18	SHELF-TRAY 18"x46"	9.633	BB2	6	385297	SHELF_2_DS
19	SUPPORT ASM-LADDER	0.447	ZA	4	385200	385200
20	SUPPORT-LADDER SUPPORT	0.175	BB1	1	386485	PI6C0532
21	UNISTRUT ASM-DOUBLE	9.025	ZA	2	386445	386445
22	UNISTRUT ASM-END	6.531	ZA	1	386484	386484
23	UNISTRUT ASM-SINGLE	5.998	ZA	2	386446	386446
24	WASHER-FENDER .25 SST	0.009	E2	12	820746	820746
25	WASHER-FLAT .38 D-SHAPED	0.007	E2	84	816154	816154
26	WASHER-LOCK .25 SST	0.002	E2	48	803630	803630



aisle view

SCALE 0.065



END VIEW

THIS PRINT AND ALL RIGHTS TO THE DESIGN AND DETAIL THEREON ARE THE PROPERTY OF VT HACKNEY AND IS LOANED TO THE RECIPIENT SUBJECT TO RETURN UPON DEMAND. ITS CONTENTS ARE CONFIDENTIAL AND MUST NOT BE COPIED OR SUBMITTED TO OUTSIDE PARTIES FOR USE OR EXAMINATION. COPYRIGHT 2015 VT HACKNEY A COMPANY OF VT SYSTEMS

REV	REVISION DESCRIPTION	ECN	DATE	INITIALS

CNUMBER	WEIGHT	TOLERANCE UNLESS OTHERWISE SPECIFIED	
SPRINTER	276.552		
ROUTING	MATL CODE		
FINAL	ZA	.XX=+/- .060 XXX=+/- .030	
ITEM NO	SHAPE DESC		
386488			
RAW MATL	HRS		
	0.000		
DRAWN BY	DATE		
ALB	06-0ct-16		
APPROVED BY	DATE		
SUPERSEDES	SUPERSEDED BY	SCALE	DWG NAME
		0.029	



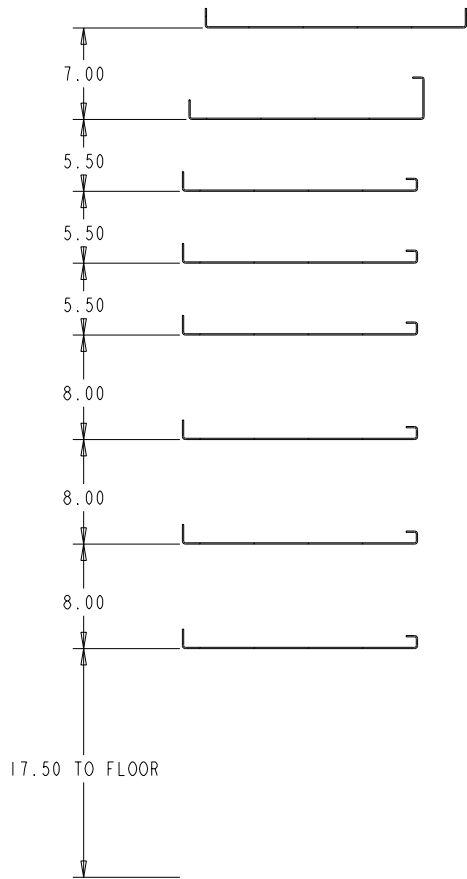
VT Hackney
A company of VT Systems

Hackney

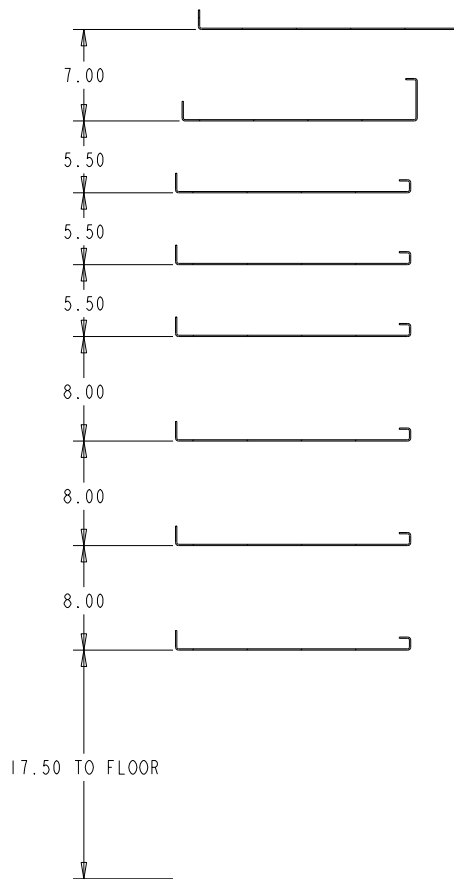


252-946-6521
vthackney.com hackney.com kidron.com vtvisioncomms.com **VisionComms**

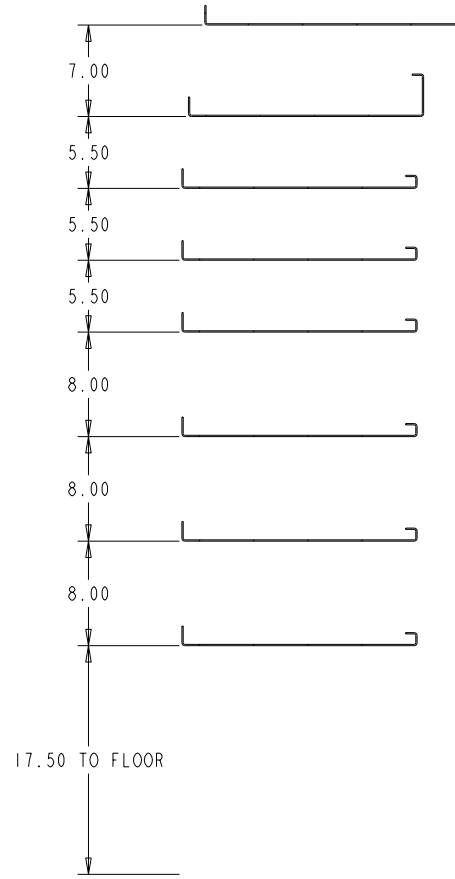
DESCRIPTION **SHELF ASM- D/S SPRINTER 170" WB EXT. HIGH ROOF 46-46-23**





SECTION A-A
SCALE 0.150



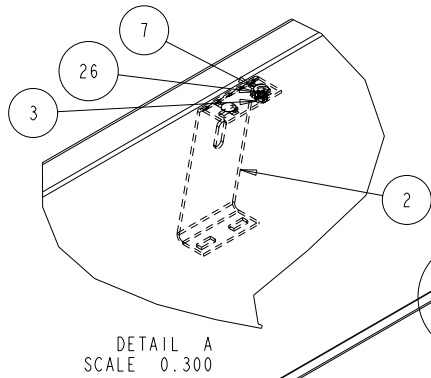
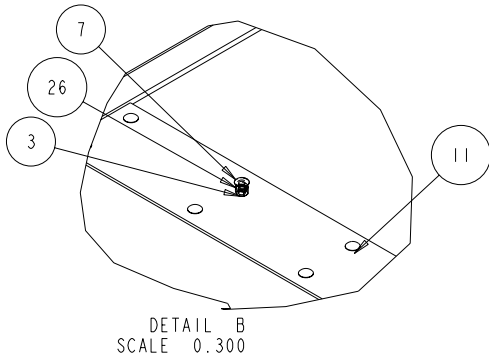
SECTION B-B
SCALE 0.150



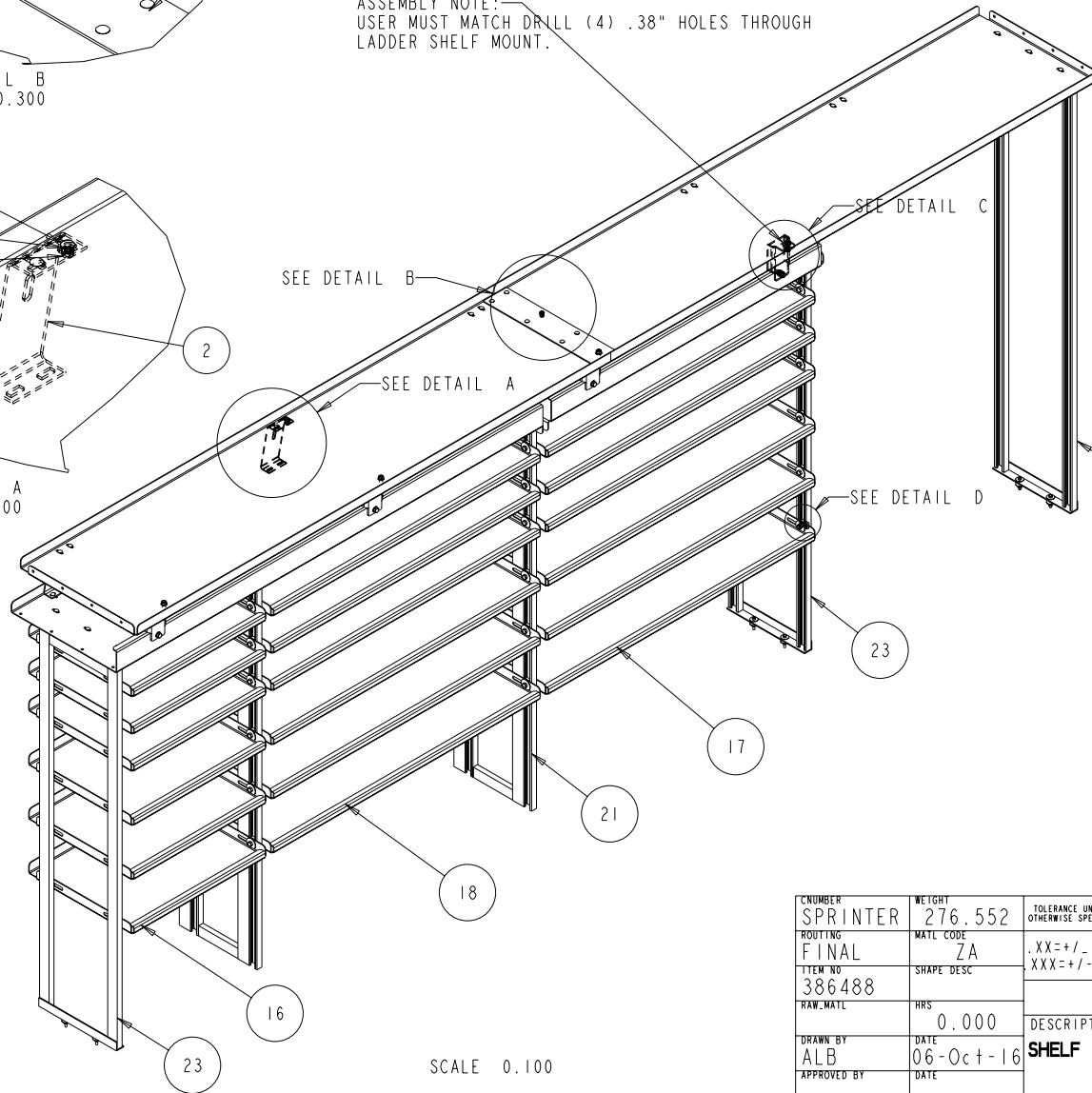
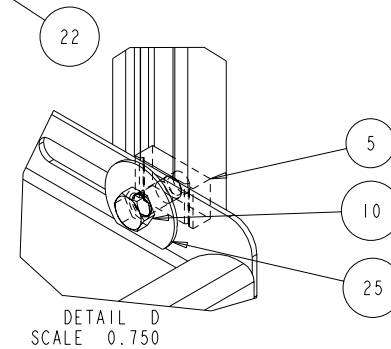
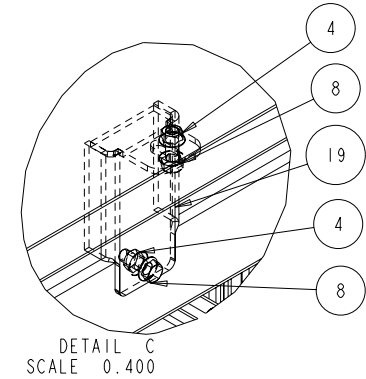
SECTION C-C
SCALE 0.150

CNUMBER SPRINTER	WEIGHT 276.552	TOLERANCE UNLESS OTHERWISE SPECIFIED	 VT Hackney A company of VT Systems	
ROUTING FINAL	MATL CODE ZA	.XX=+/- .060 XXX=+/- .030		
ITEM NO 386488	SHAPE DESC		252-946-6521 vtackney.com hackney.com kidron.com vtvisioncomms.com VisionComms	
RAW_MATL	HRS 0.000	DESCRIPTION		
DRAWN BY ALB	DATE 06-Oct-16	SHELF ASM- D/S SPRINTER 170" WB EXT. HIGH ROOF 46-46-23		
APPROVED BY	DATE	SCALE 0.029	DWG NAME P16C0541 Sheet 2 of 4	
SUPERSEDES	SUPERSEDED BY			

BUILDUP DETAIL



ASSEMBLY NOTE:
USER MUST MATCH DRILL (4) .38" HOLES THROUGH
LADDER SHELF MOUNT.



CNUMBER	WEIGHT	TOLERANCE UNLESS OTHERWISE SPECIFIED
SPRINTER	276.552	
ROUTING	MATL CODE	
FINAL	ZA	.XX=+/- .060 XXX=+/- .030
ITEM NO	SHAPE DESC	
386488		
RAW_MATL	HRS	
	0.000	
DRAWN BY	DATE	DESCRIPTION
ALB	06-0ct-16	vthackney.com hackney.com kidron.com tvisioncomms.com
APPROVED BY	DATE	SHELF ASM- D/S SPRINTER 170" WB EXT. HIGH ROOF 46-46-23
SUPERSEDES	SUPERSEDED BY	SCALE
		0.029
		DWG NAME



VT Hackney
A company of VT Systems

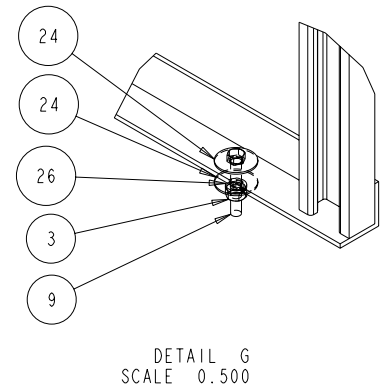
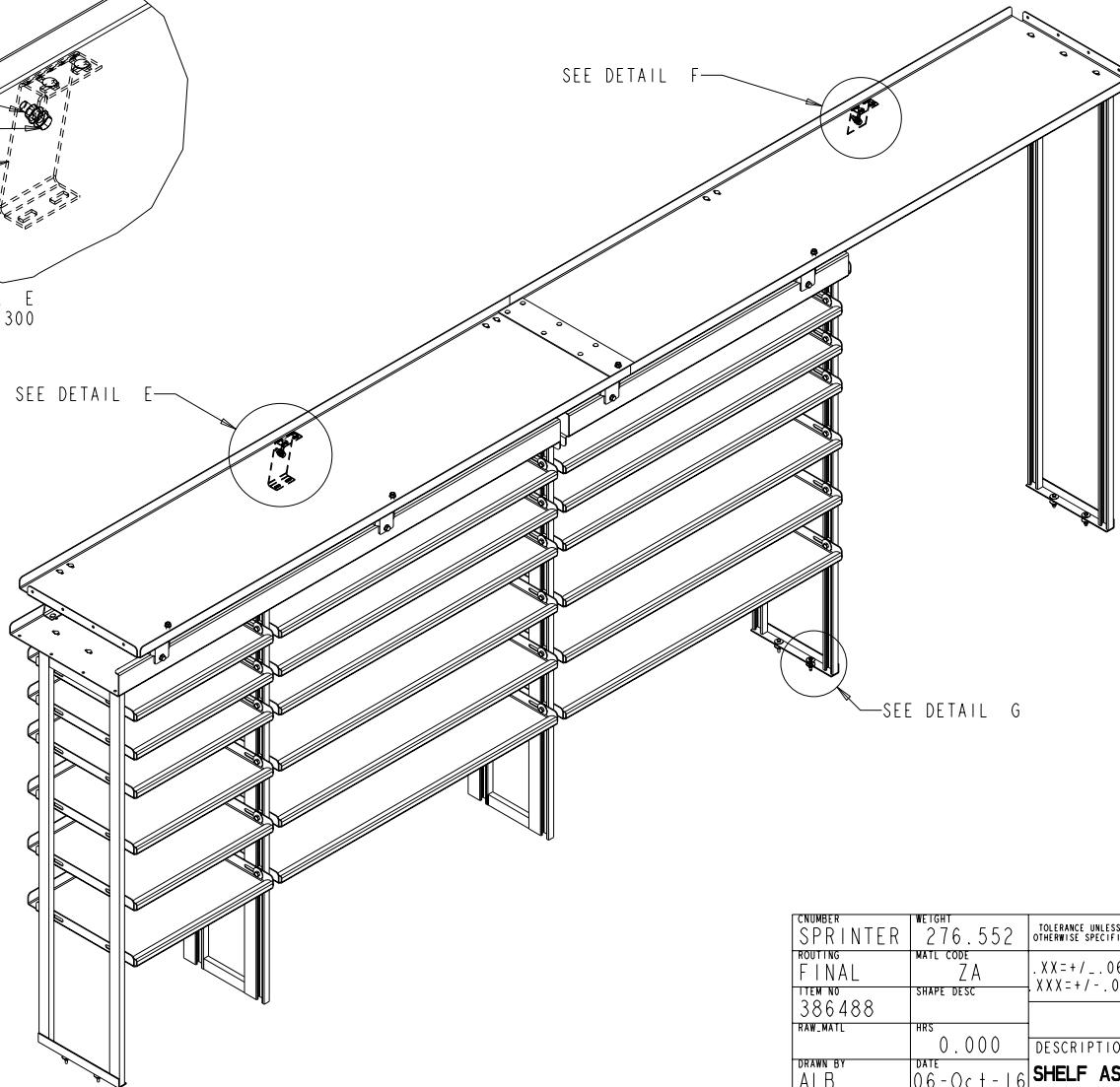
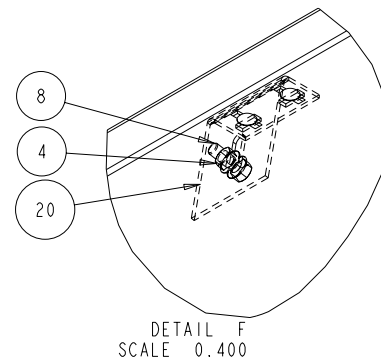
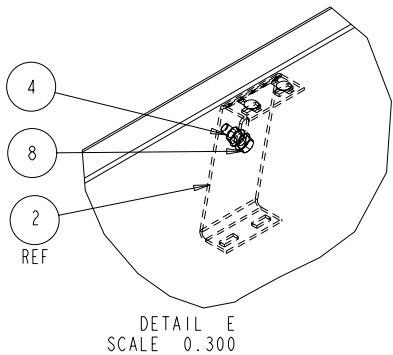
Hackney






VisionComms

ATTACHMENT DETAIL

INSTALLATION NOTES:
 1.) INSTALLER RESPONSIBLE FOR SECURING SHELVING UNIT TO THE VAN USING SUPPLIED HARDWARE NOTED IN DETAILS E, F, AND G.
 2.) BEFORE DRILLING ANY HOLE THROUGH FLOOR OR WALL, VERIFY CLEARANCE ON BACKSIDE OF HOLE.



SCALE 0.100

CNUMBER SPRINTER	WEIGHT 276.552	TOLERANCE UNLESS OTHERWISE SPECIFIED	 VT Hackney A company of VT Systems	
ROUTING FINAL	MATL CODE ZA	.XX=+/- .060 XXX=+/- .030		
ITEM NO 386488	SHAPE DESC		252-946-6521 vtackney.com hackney.com kidron.com vtvisioncomms.com	
RAW_MATL	HRS 0.000	DESCRIPTION		
DRAWN BY ALB	DATE 06-0ct-16	SHELF ASM- D/S SPRINTER 170" WB EXT. HIGH ROOF 46-46-23		
APPROVED BY	DATE	SCALE 0.029	DWG NAME P16C0541 Sheet 4 of 4	
SUPERSEDES	SUPERSEDED BY			