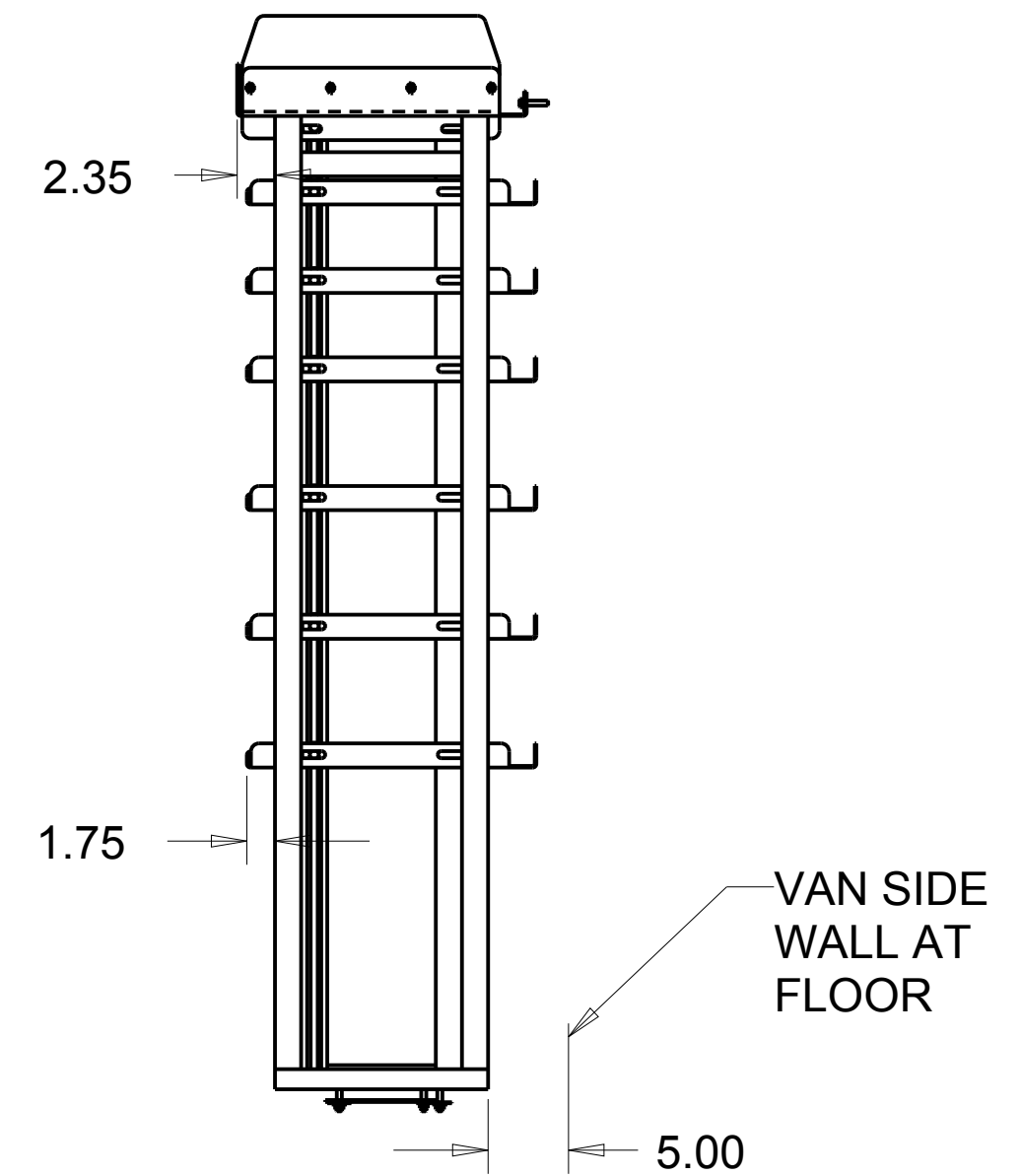
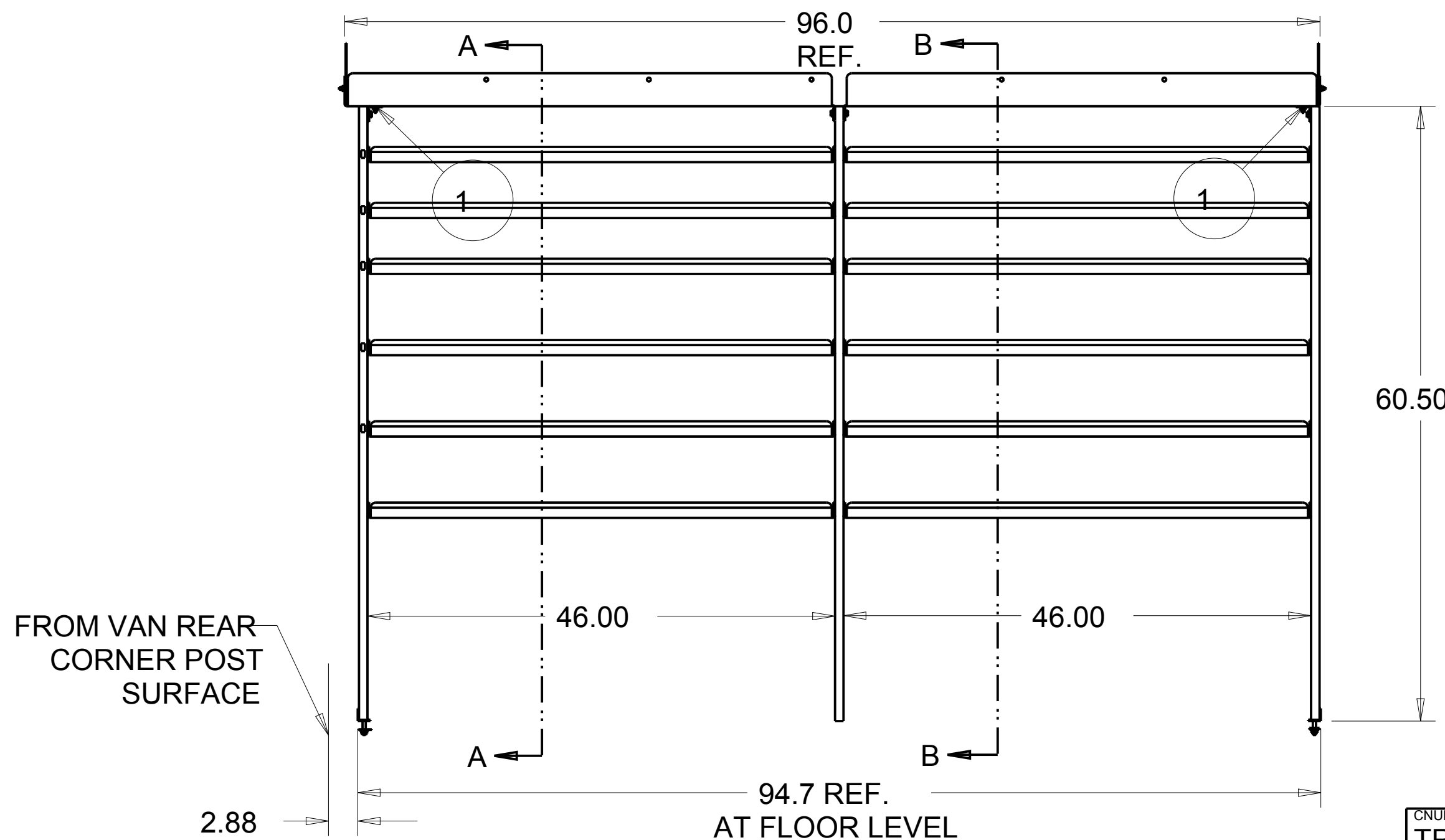


BBL NO.	ITEM DESCRIPTION	LENGTH	WIDTH	WEIGHT	MATL CODE	QTY REQD	ITEM NO.	MODEL NAME
1	ANGLE-.10X1.50X1.50X 13.25	13.250	2.810	0.334	BB2	2	385287	P15C0410
2	BAR-FLAT 1.00X.12X 7.00	7.000		0.239	B12	1	385241	385241
3	NUT-HEX .25 P			0.007	E1	14	1378	1378
4	NUT-HEX M8 x 1.25 SST			0.011	E1	4	820637	820637
5	NUT-UNISTRUT W/O SPRING .38-16			0.086	C4	56	802807	802807
6	PIPE STOP SHEET	16.000	6.810	1.020	BB2	2	385304	P15C0435
7	SCREW-CARRIAGE .25X .75			0.018	E0	14	1430	1430
8	SCREW-HEX M8-1.25x40MM SST			0.048	E0	8	820664	820664
9	SCREW-HEX.38X .75 GR5	0.750		0.043	E0	56	802804	802804
10	SHELF-TOP 18"x46.88"	46.875	18.000	10.732	BB2	1	385351	P15C0541
11	SHELF-TOP 18"x48.25"	48.250	18.000	11.037	BB2	1	385350	P15C0540
12	SHELF-TRAY 18"x46"	46.000	18.000	9.633	BB2	12	385297	P15C0419
13	UNISTRUT ASM-DOUBLE			9.386	ZA	1	385288	385288
14	UNISTRUT ASM-SINGLE			6.188	ZA	1	385289	385289
15	UNISTRUT ASM-SINGLE REAR DS			6.186	ZA	1	385354	385354
16	WASHER-FLAT .38 D-SHAPED			0.007	E2	62	816154	816154
17	WASHER-FLAT M8 SST			0.007	E2	8	820670	820670
18	WASHER-LOCK .25			0.002	E2	14	1372	1372
19	WASHER-LOCK M8 SST			0.004	E2	8	820638	820638



VIEWED FROM AISLE

NUMBER	TRANSIT	WEIGHT	171.963	TOLERANCE UNLESS OTHERWISE SPECIFIED
ROUTING	FINAL	MATL CODE	ZA	.XX=+/- .060 .XXX=+/- .030
ITEM NO	385356	SHAPE DESC		
RAW_MATL		HRS	0.000	
DRAWN BY	LCS	DATE	11 APR 13	
APPROVED BY		DATE		
SUPERSEDES		SUPERSEDED BY		SCALE
				0.085

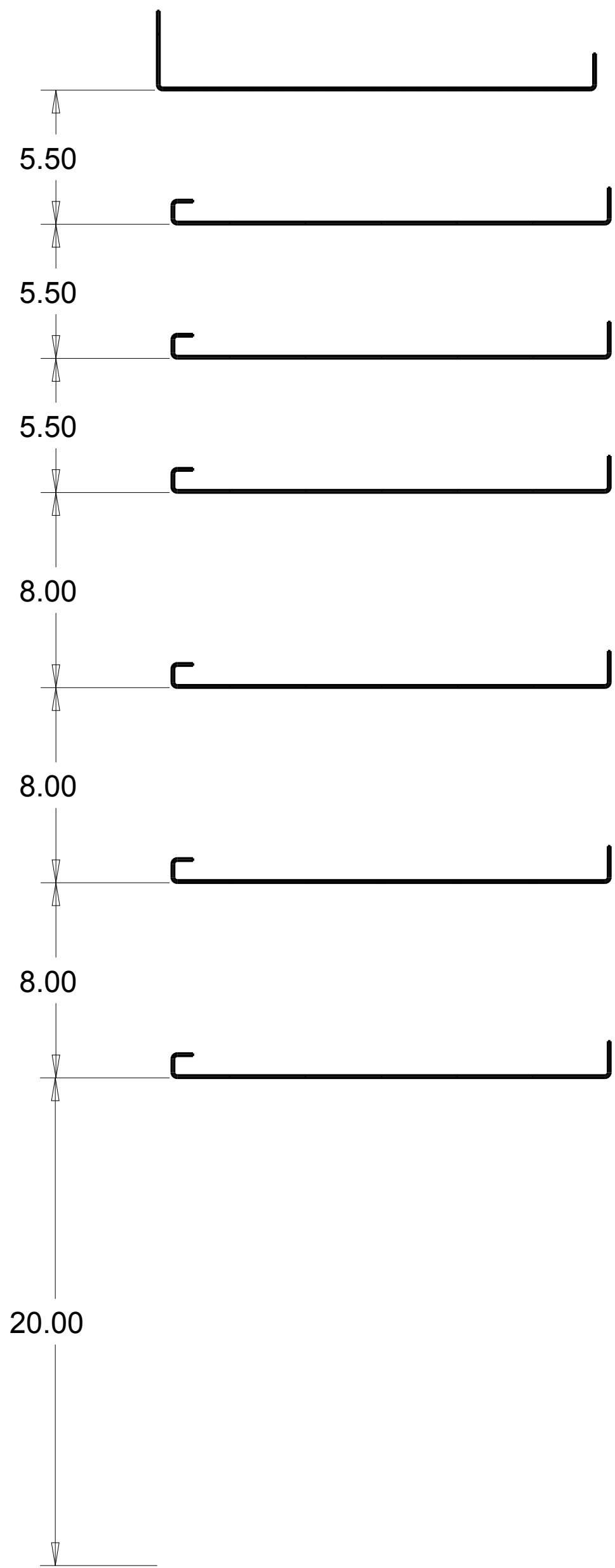
VT Hackney *Hackney*
A company of VT Systems *Kidron*

252-946-6521
vthackney.com hackney.com kidron.com vtvisioncomms.com **VisionComms**

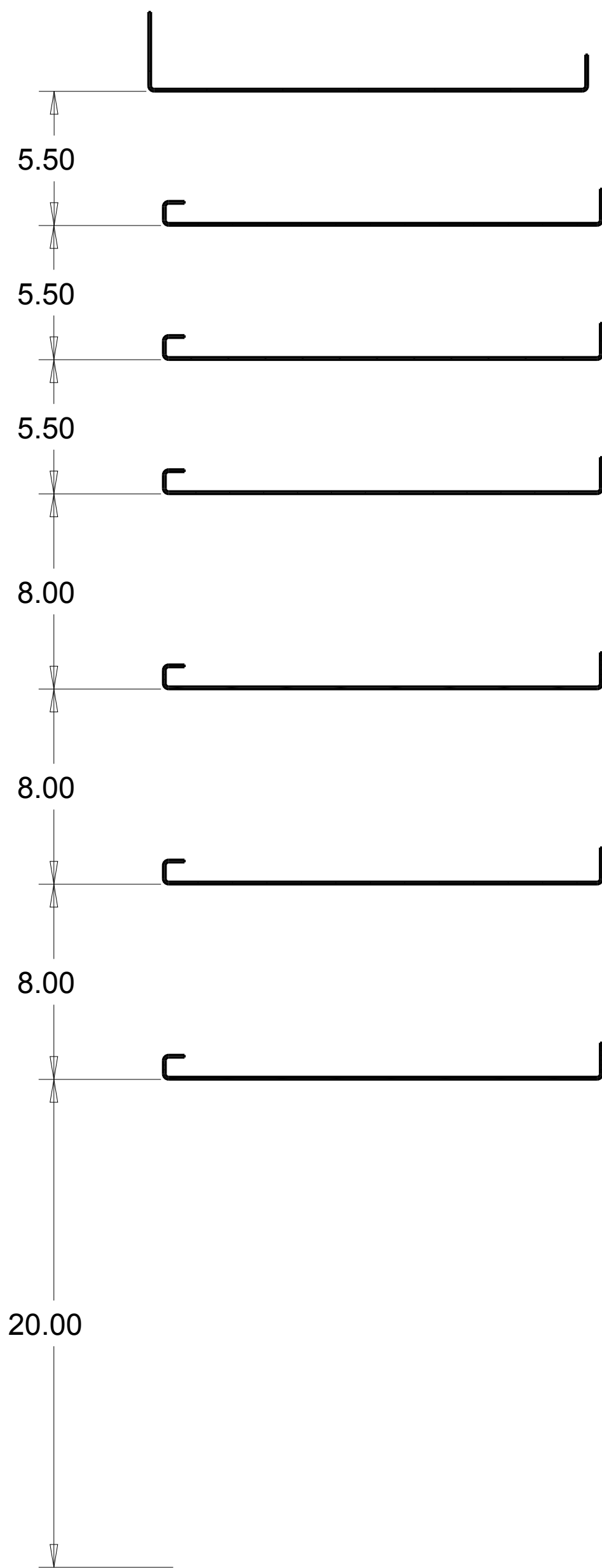
DESCRIPTION SHELF ASM.- DRIVERSIDE FORD TRANSIT SHELF OPTION "46-46" 148"WB MED ROOF

THIS PRINT AND ALL RIGHTS TO THE DESIGN AND DETAIL THEREON ARE THE PROPERTY OF VT HACKNEY AND IS LOANED TO THE RECIPIENT SUBJECT TO RETURN UPON DEMAND. ITS CONTENTS ARE CONFIDENTIAL AND MUST NOT BE COPIED OR SUBMITTED TO OUTSIDE PARTIES FOR USE OR EXAMINATION. COPYRIGHT 2015 VT HACKNEY A COMPANY OF VT SYSTEMS





A	UPDATED NOTE LOCATION PG.4		10 MAR 16	LCS
REV	REVISION DESCRIPTION	ECN	DATE	INITIALS

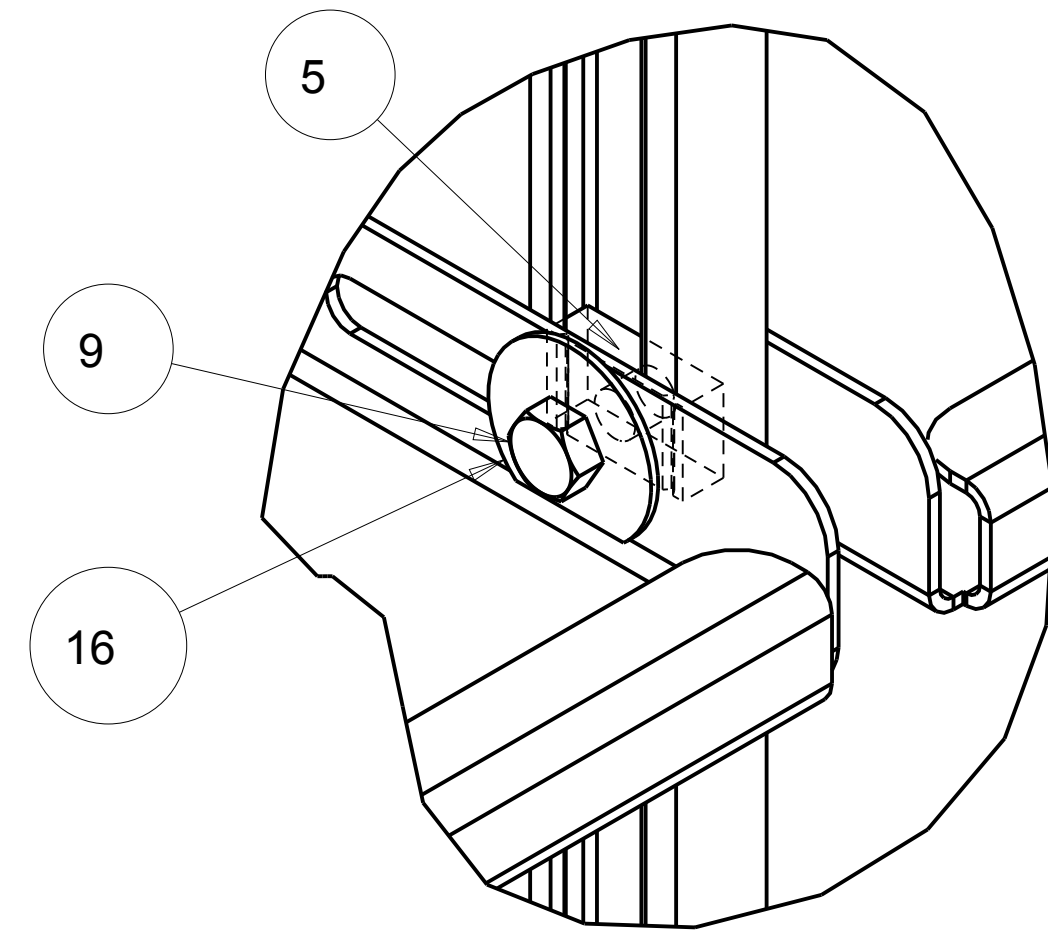
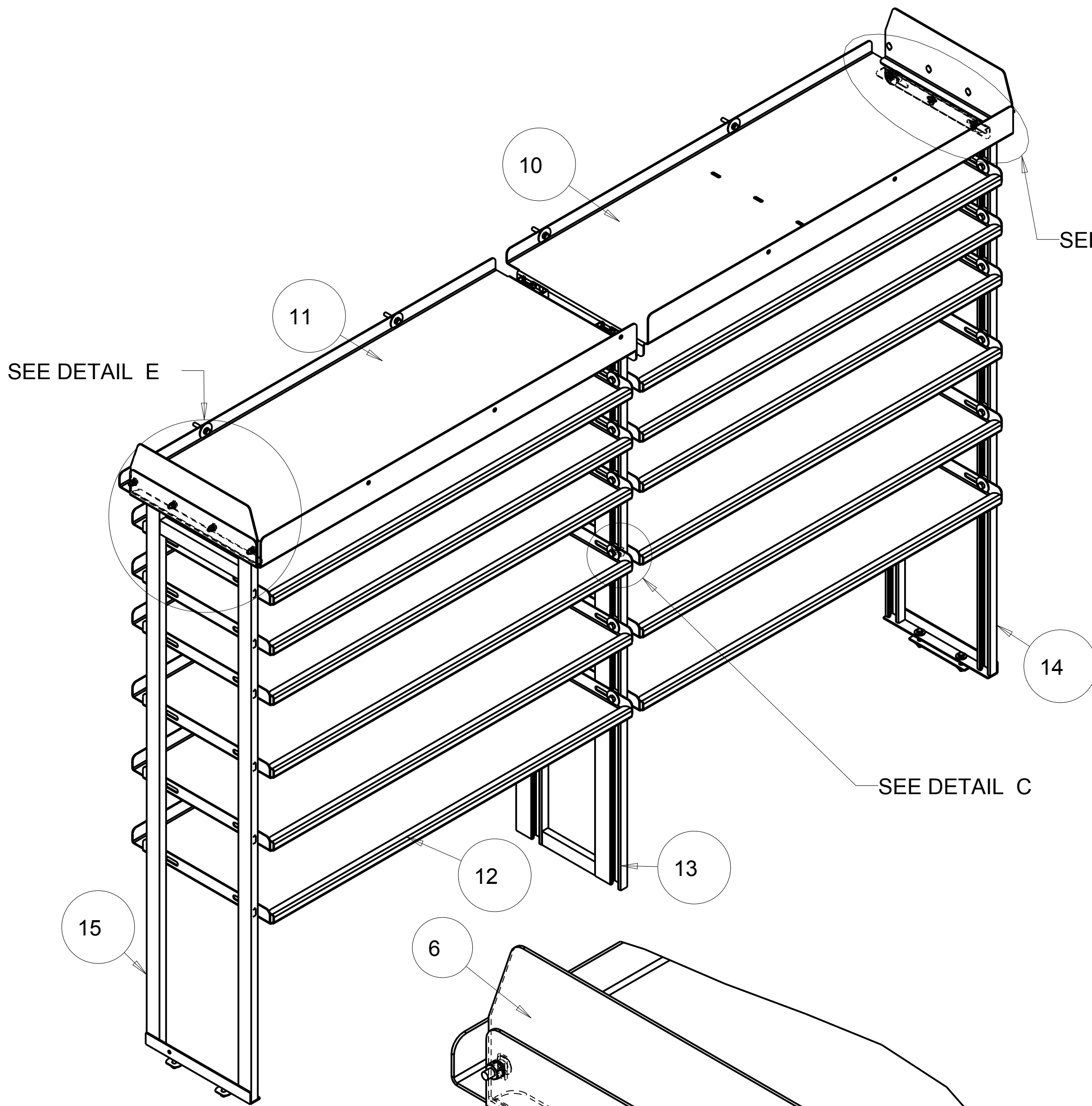


SECTION A-A

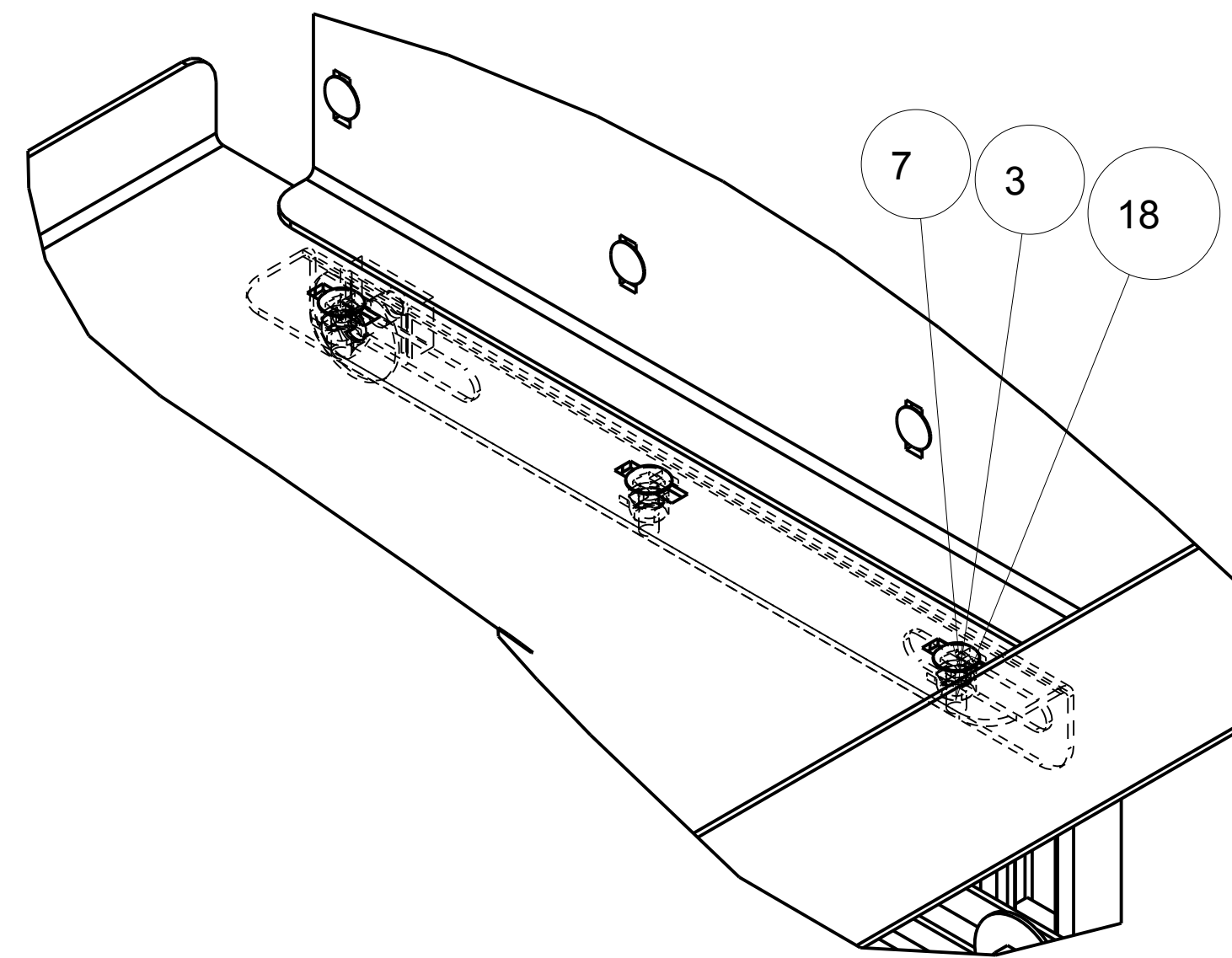


SECTION B-B

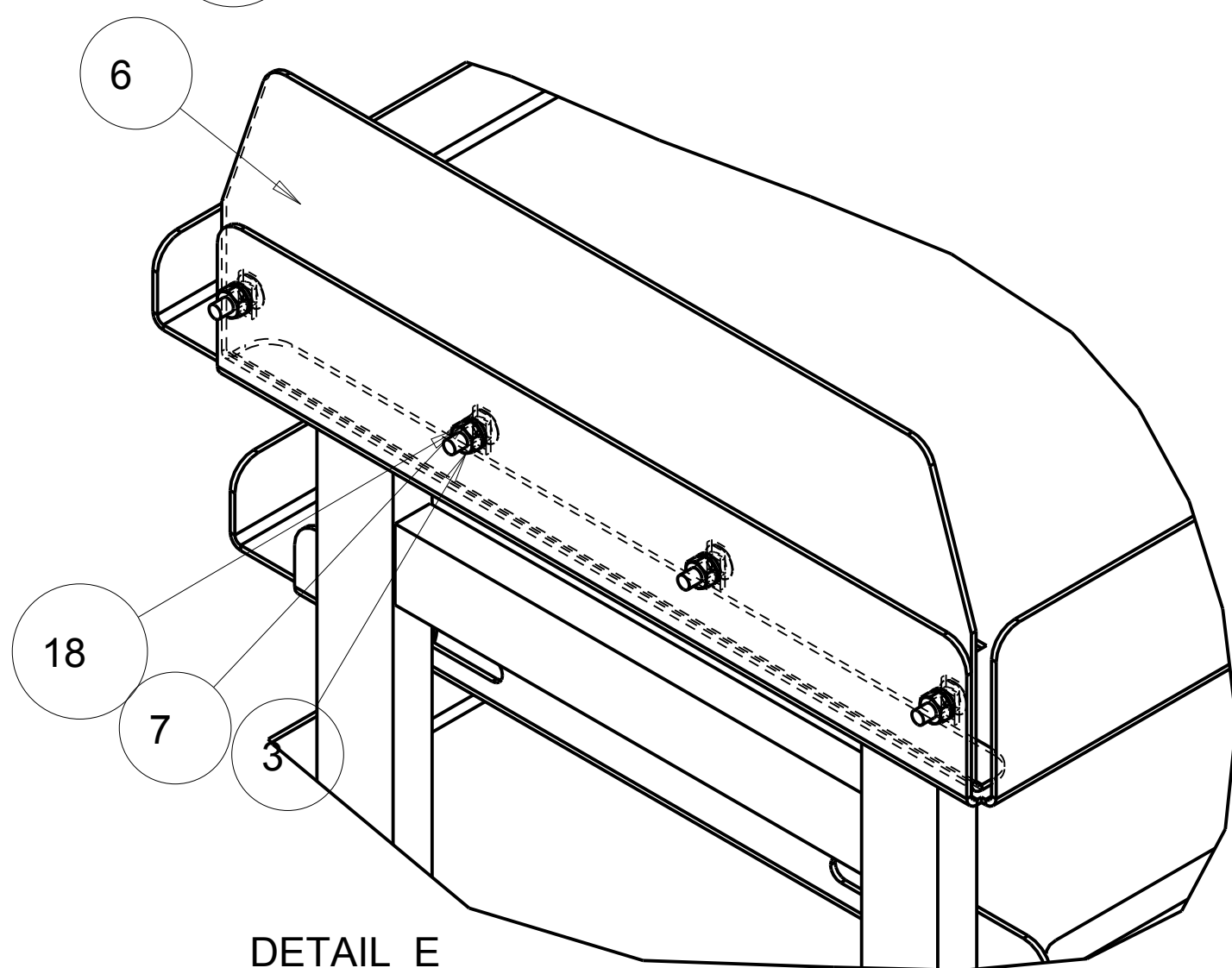
CNUMBER TRANSIT	WEIGHT 171.963	TOLERANCE UNLESS OTHERWISE SPECIFIED	 VT Hackney A company of VT Systems 252-946-6521 vthackney.com hackney.com kidron.com vtvisioncomms.com	  
ROUTING FINAL	MATL CODE ZA	.XX=+/_ .060 .XXX=+/_ .030		
ITEM NO 385356	SHAPE DESC			
RAW_MATL	HRS 0.000	DESCRIPTION	SHELF ASM.- DRIVERSIDE FORD TRANSIT SHELF OPTION "46-46" 148"WB MED ROOF	
DRAWN BY LCS	DATE 29-Nov-11			
APPROVED BY	DATE			
SUPERSEDES	SUPERSEDED BY	SCALE 0.200	DWG NAME P15C0542 Sheet 2 of 4	



TYP. SHELF HARDWARE
DETAIL C
SCALE 0.800

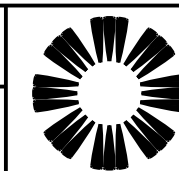


DETAIL A
SCALE 0.500



DETAIL E
SCALE 0.400

NUMBER	WEIGHT	TOLERANCE UNLESS OTHERWISE SPECIFIED
TRANSIT	171.963	
ROUTING	MATL CODE	
FINAL	ZA	.XX=+/- .060 .XXX=+/- .030
ITEM NO	SHAPE DESC	
385356		
RAW_MATL	HRS	
	0.000	
DRAWN BY	DATE	DESCRIPTION
LCS	29-Nov-11	vtackney.com hackney.com kidron.com vtvisioncomms.com
APPROVED BY	DATE	
SUPERSEDES	SUPERSEDED BY	SCALE
		0.125



VT Hackney
A company of VT Systems

Hackney

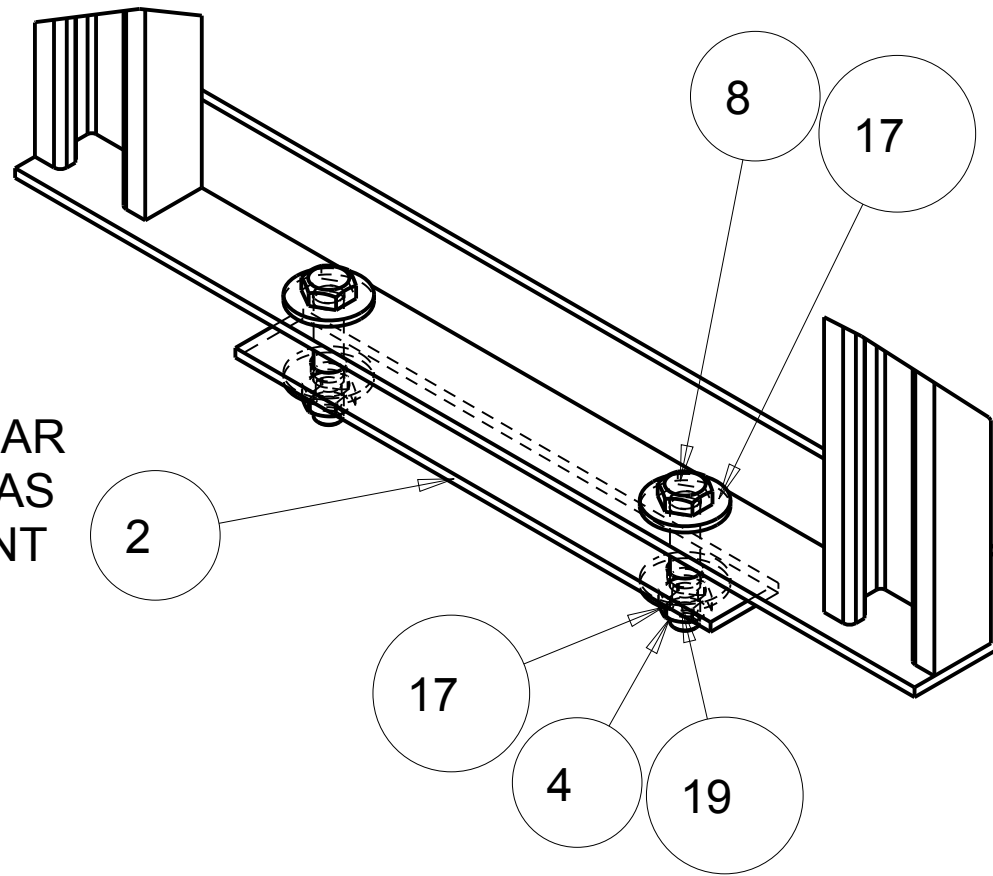


VisionComms

SHELF ASM.- DRIVERSIDE FORD TRANSIT SHELF
OPTION "46-46" 148"WB MED ROOF

ATTACHMENT DETAILS

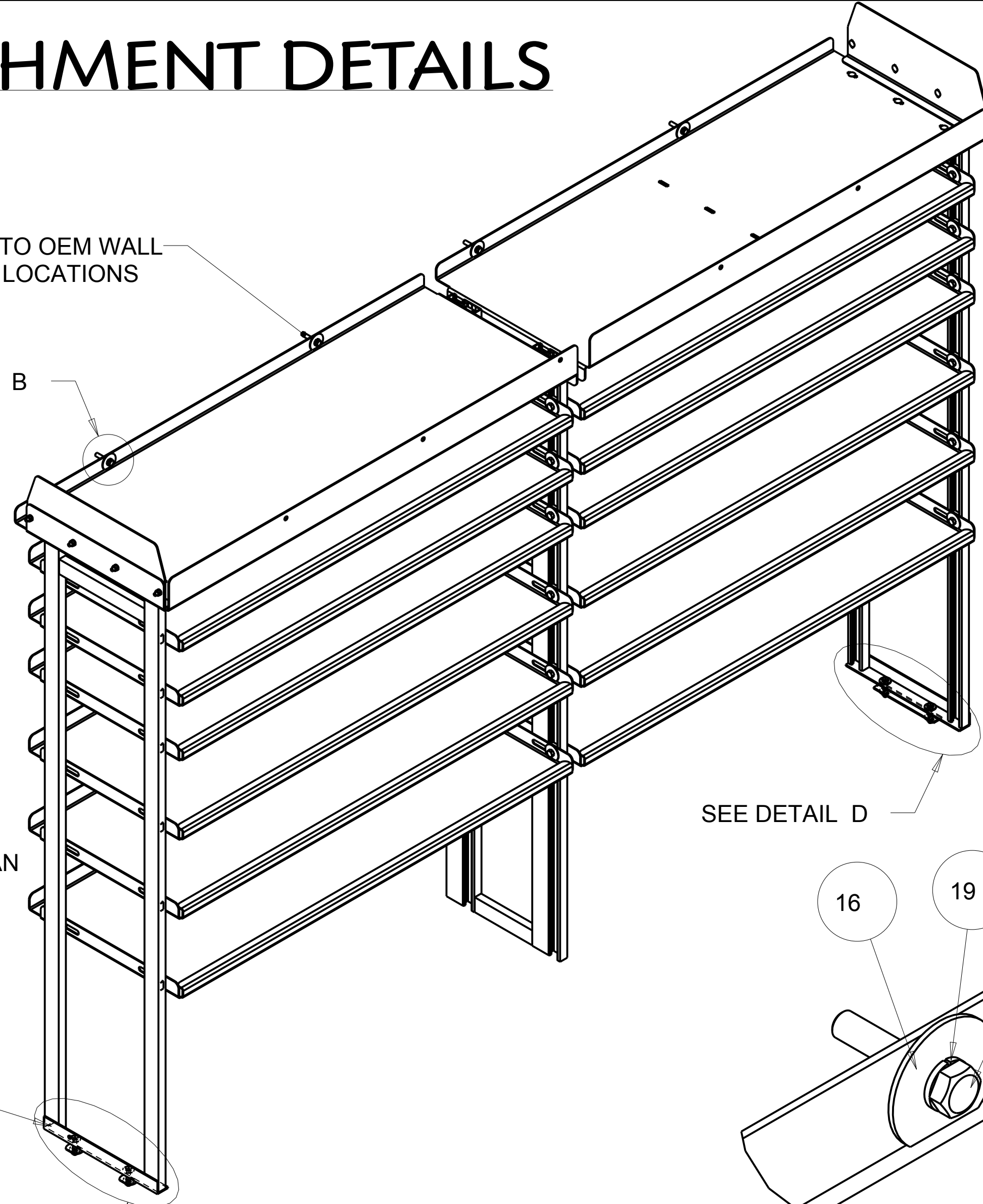
INSTALL FLAT BAR UNDER FLOOR AS REINFORCEMENT



DETAIL D
SCALE 0.500
TYPICAL BOLT
THRU FLOOR
AT FRONT

BOLT TO OEM WALL
INSERTS (4) LOCATIONS

SEE DETAIL B

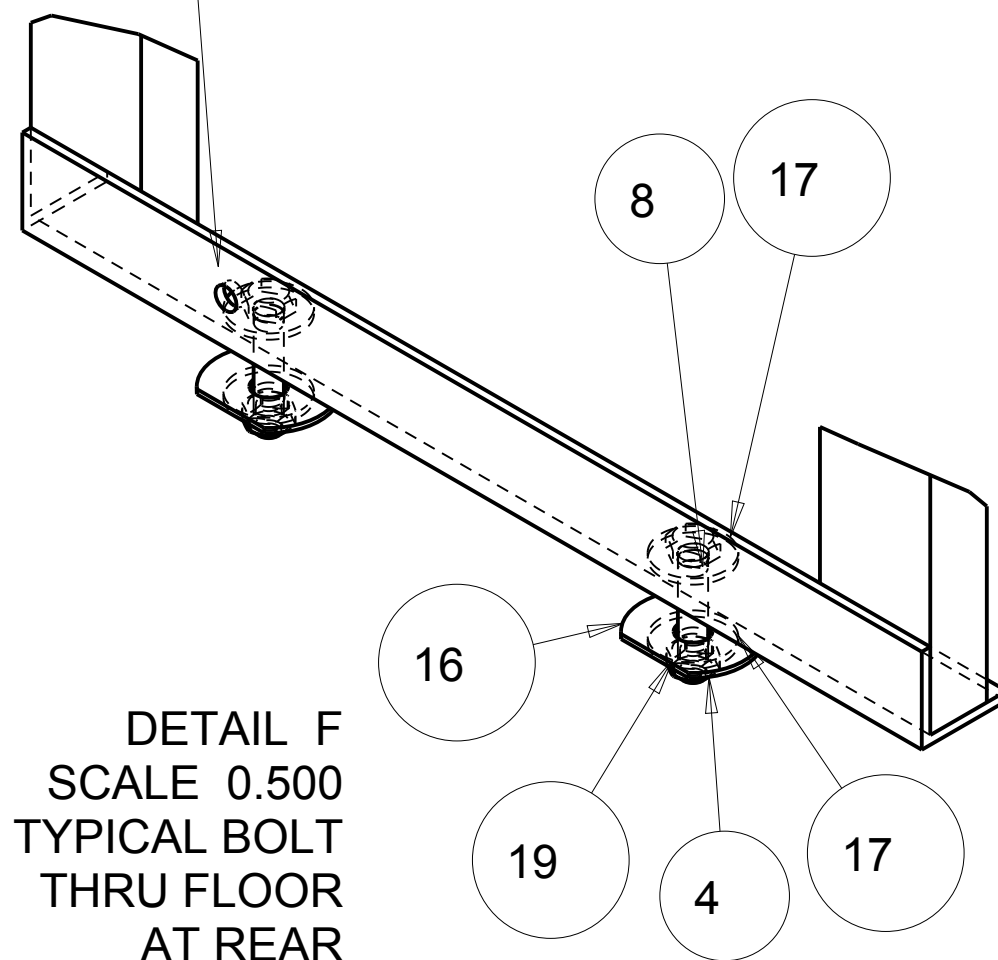


FRONT OF VAN

REAR OF VAN

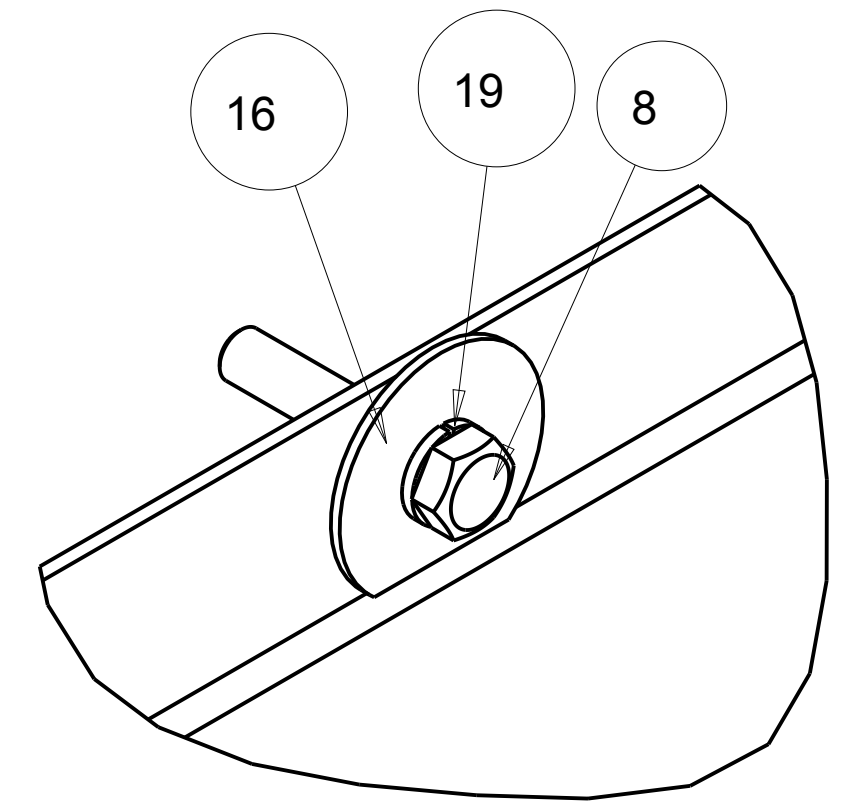
SEE DETAIL D

NOTE: VERIFY THIS
IS THE CORRECT REAR
SECTION WITH HOLE

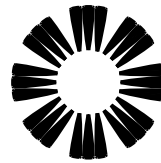



DETAIL F
SCALE 0.500
TYPICAL BOLT
THRU FLOOR
AT REAR

SEE DETAIL F



DETAIL B
SCALE 1.000

NUMBER TRANSIT	WEIGHT 171.963	TOLERANCE UNLESS OTHERWISE SPECIFIED	 VT Hackney A company of VT Systems 
ROUTING FINAL	MATL CODE ZA	.XX=+/- .060 .XXX=+/- .030	
ITEM NO 385356	SHAPE DESC		252-946-6521 vtackney.com hackney.com kidron.com vtvisioncomms.com
RAW_MATL	HRS 0.000	DESCRIPTION	
DRAWN BY LCS	DATE 29-Nov-11	SHELF ASM.- DRIVERSIDE FORD TRANSIT SHELF OPTION "46-46" 148"WB MED ROOF	
APPROVED BY	DATE	SCALE 0.125	DWG NAME P15C0542 Sheet 4 of 4
SUPERSEDES	SUPERSEDED BY		