

Make: Subaru

Model: 2019+ Forester

Application: Rally Light Bar

PACKAGE CONTENTS					TOOLS	
QTY		QTY		QTY		
1	Rally Light Bar	2	3/8"-16 x 1.00" Hex Bolt	8	3/8" Flat Washer	Flathead Screwdriver Philips Screwdriver Cutting Tool Sander/Grinder Socket Wrench 10mm, 12mm, 13mm, 1/2" Socket 9/16" Wrench and Socket
2	Lower Brackets	4	3/8"-16 Hex Nut	2	M6 x50mm Bolt	
1	Upper Mounting Brace	4	3/8" Lock Washer	2	M8 x25mm Bolt	
2	5/16" Bolt Plate	2	5/16" Flat Washer			
2	1.25" Long Aluminum Spacer	2	5/16" Split Lock Washer			
2	3/8"-16 x 2.50" Hex Bolt	2	5/16" Hex Nut			

## INSTALLATION INSTRUCTIONS

Remove the front splash guard and locate the holes shown above.

1

Insert (2) 5/16" Bolt Plates through the holes shown in Step 1.

2

5/16" Bolt Plate inserted.

3

Remove (2) M6 bolts shown above.

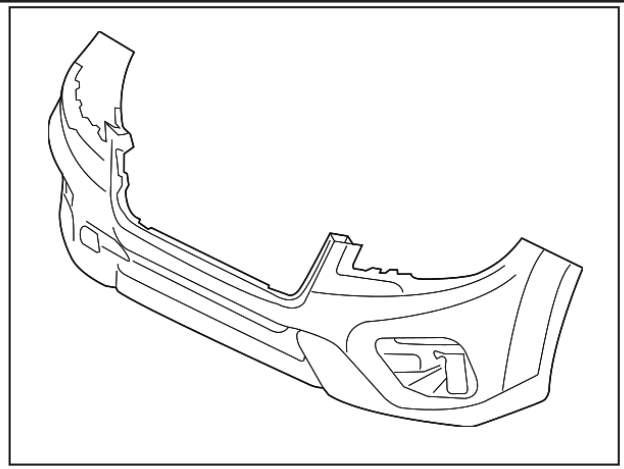
4

DISCLAIMER FOR RALLY INNOVATIONS PRODUCTS: Buyers assume all risk and liability whatsoever for the installation and the use of Rally Innovations products. Rally Innovations products are sold as decorative accessories and should not be relied upon as protection for the vehicle or occupants in the event of a collision or roll over. Vehicles equipped with a supplemental restraint system (air bag) deployed by impact should not be modified by any aftermarket Light Bar or Skid Guard without first consulting the vehicle manufacturer. Rally Innovations, a subsidiary of Pentech Automotive assumes no liability for injury, loss, incidental or consequential damages in the event of a collision or roll over.



Install Lower Brackets (L+R) using the factory M6 bolt (do not tighten all the way). Install (1) 5/16" Flat Washer, Lock Washer, and Hex Nut onto the 5/16" Bolt Plate. Repeat on the passenger side.

5



Remove front bumper cover to gain access to mounting points for the Upper Brace.

6



Remove the (2) M6 bolts shown above (L+R). These holes are where the Upper Brace will attach to.

7



Attach Upper brace to the same holes in Step 7 using (1) 1-1/4" Aluminum Spacers and (1) M6x50mm Bolt, per side.

8



Upper Brace installed.

9



Reinstall air diverter and front bumper cover.

10





Attach Light Bar to Upper Brace with (1) 3/8"-16 x 1.00" Hex Bolt, (2) 3/8" Flat Washers, (1) 3/8" Lock Washer, and (1) 3/8" Hex Nut per side. Assemble loosely.

11



Attach Light Bar to Lower Brackets with (1) 3/8"-16 x 2.5" Hex Bolt, (2) 3/8" Washers, (1) 3/8" Lock Washer, and (1) 3/8" nut, per side. Tighten all bolts. Torque 3/8" hardware to 33 ft-lbs, 5/16" to 19 ft-lbs, and M6 to 11 ft-lbs.

12



**Splash Guard Trim:**  
Trim splash guard material **inside** the marked area.

13



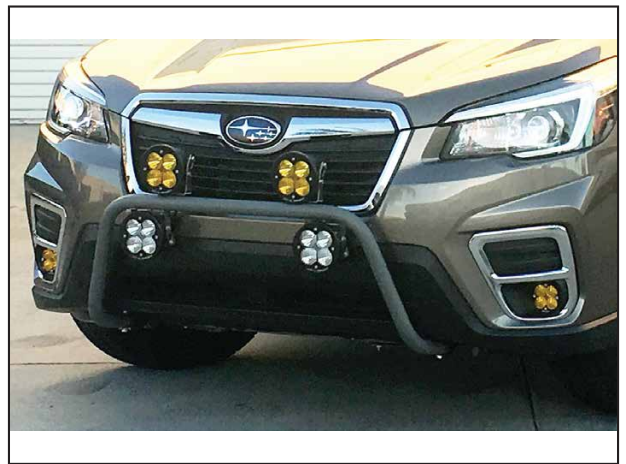
**Splash Guard Trim:** *Pictured: Inner Side*  
Note: Cut 1" from the rib (shown above).

14



Reinstall splash guard with included M8 x25mm bolts and factory plastic clips. Tighten M8 bolts to 23 ft-lbs.

15



Completed assembly.

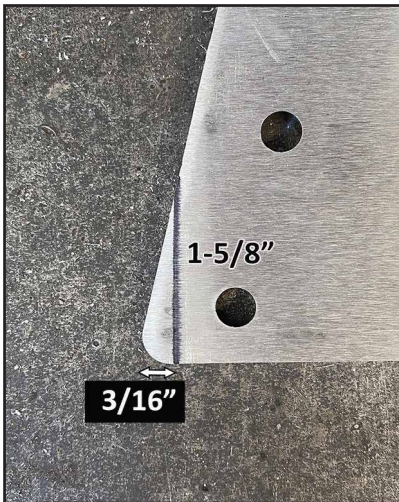
16

# Instructions for Use With Primitive Front Skid Plate



Towards the front of the skid plate, trim outlined area shown, about 1-inch above the bend line.

Conduct step on both sides of the skid plate to ensure the skid plate clears the rally light bar lower mounting brackets.



Front Skid Plate Front Lip

Trim the corner off of the Front Lip on both sides.



Completed assembly shown.

