

Make: Subaru

Model: 2003-2005 Forester

Applications: Light Conversion

PACKAGE CONTENTS				TOOLS	
QTY		QTY			
2	Light Conversion Bracket			Flat Head or Phillips Screwdriver	
4	1/4"-20 x 3/4" Carriage Bolt			Panel Removal Tool	
4	1/4" Flat Washer			Socket Wrench	
4	1/4" Flat Washer			10mm Socket/Wrench	
4	1/4" Kev Nut			7/16" Socket/Wrench	
				Wire Stripper	
				Wire Crimp	

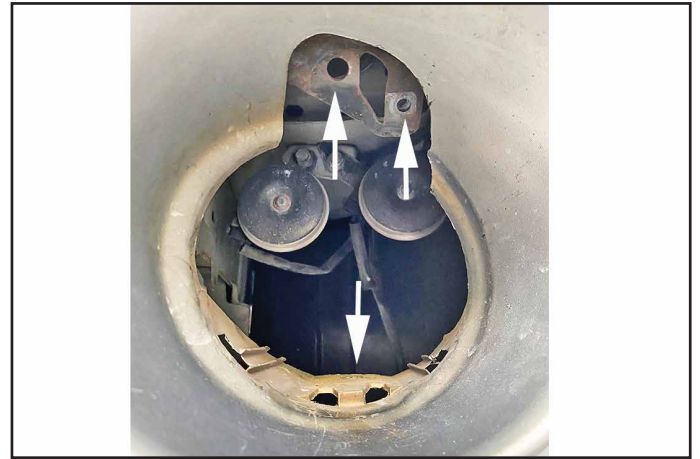
INSTALLATION INSTRUCTIONS



Remove splash guard to gain access to the fog light area behind the front bumper.

Note: Removal of front bumper cover is optional.

1



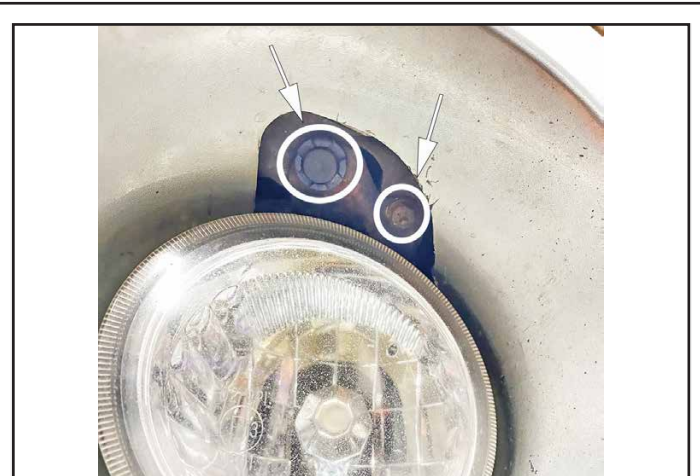
Remove factory fog light, by unplugging the fog light from the main harness and removing (3) fasteners located in the areas shown above.

2



Access the lower screw from underneath the fog light.

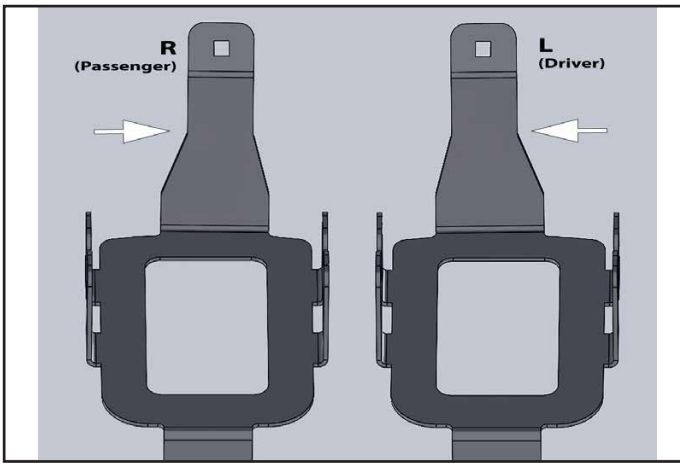
3



The fastener on the left can be removed using a panel removal tool (remove the center pin first). Remove the bolt on the right using a 10mm socket wrench.

4

DISCLAIMER FOR RALLY INNOVATIONS PRODUCTS: Buyers assume all risk and liability whatsoever for the installation and the use of Rally Innovations products. Rally Innovations products are sold as decorative accessories and should not be relied upon as protection for the vehicle or occupants in the event of a collision or roll over. Vehicles equipped with a supplemental restraint system (air bag) deployed by impact should not be modified by any aftermarket Light Bar or Skid Guard without first consulting the vehicle manufacturer. Rally Innovations, a subsidiary of Pentech Automotive assumes no liability for injury, loss, incidental or consequential damages in the event of a collision or roll over.



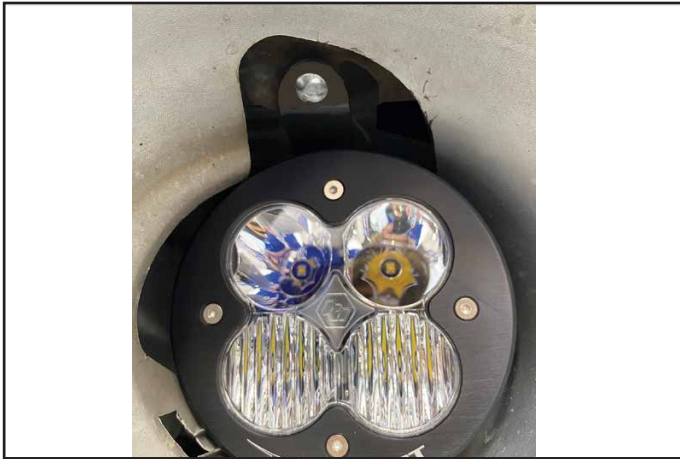
Attach baja light to the corresponding fog light bracket. The L + R brackets are shown above.

5



Mount the new lights in the brackets. Then, install each fog light assembly onto the car.

6



Line up the top hole with the bracket and insert (1) 1/4"-20 Carriage Bolt through the face of the bracket. Carefully reach behind the hole (from underneath and behind the fog light) to fasten with (1) 1/4" Flat Washer and (1) 1/4" Kep Nut.

7



Insert (1) 1/4"-20 Carriage Bolt through the bottom hole of the bracket so that the threads are pointing down towards the ground. Fasten with (1) 1/4" Flat Washer and (1) 1/4" Kep Nut.

8



Reinstall splash guard.

Completed assembly shown.

9

DISCLAIMER FOR RALLY INNOVATIONS PRODUCTS: Buyers assume all risk and liability whatsoever for the installation and the use of Rally Innovations products. Rally Innovations products are sold as decorative accessories and should not be relied upon as protection for the vehicle or occupants in the event of a collision or roll over. Vehicles equipped with a supplemental restraint system (air bag) deployed by impact should not be modified by any aftermarket Light Bar or Skid Guard without first consulting the vehicle manufacturer. Rally Innovations, a subsidiary of Pentech Automotive assumes no liability for injury, loss, incidental or consequential damages in the event of a collision or roll over.