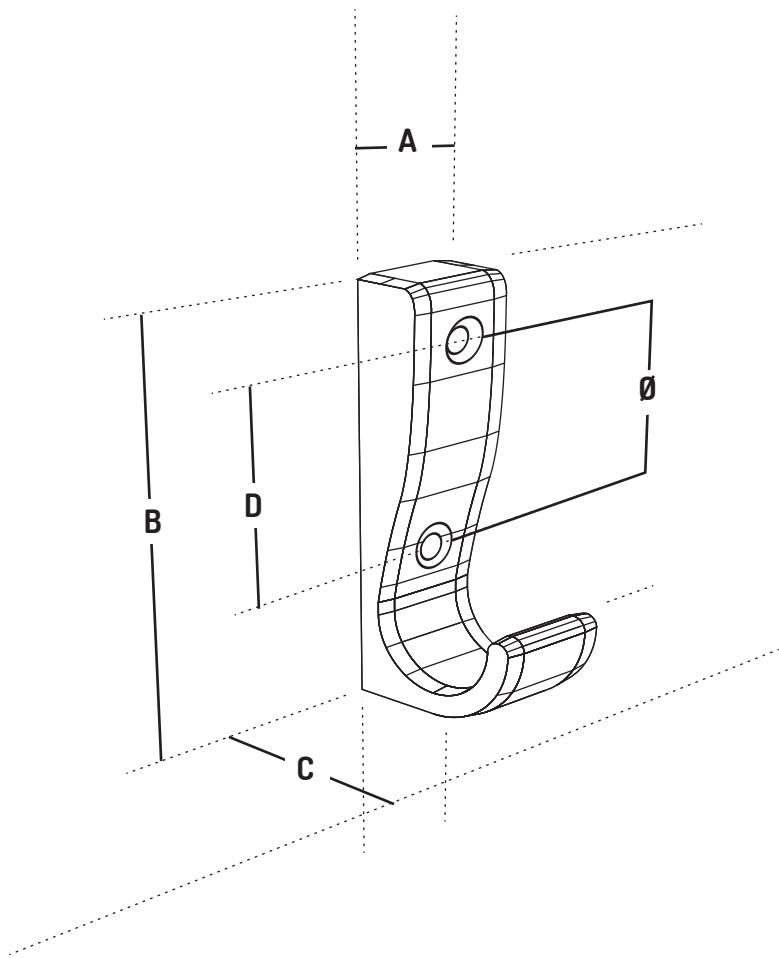


**Safer.  
Stronger.  
Guaranteed for life.**



## DATA SHEET

<b>A</b>	.....	18 mm
<b>B</b>	.....	55 mm
<b>C</b>	.....	32 mm
<b>D</b>	.....	22 mm
<b>Ø</b>	.....	3.5 mm
		(Countersink 6 mm)



<b>1</b>	.....	Side
<b>2</b>	.....	Front
<b>3</b>	.....	Back