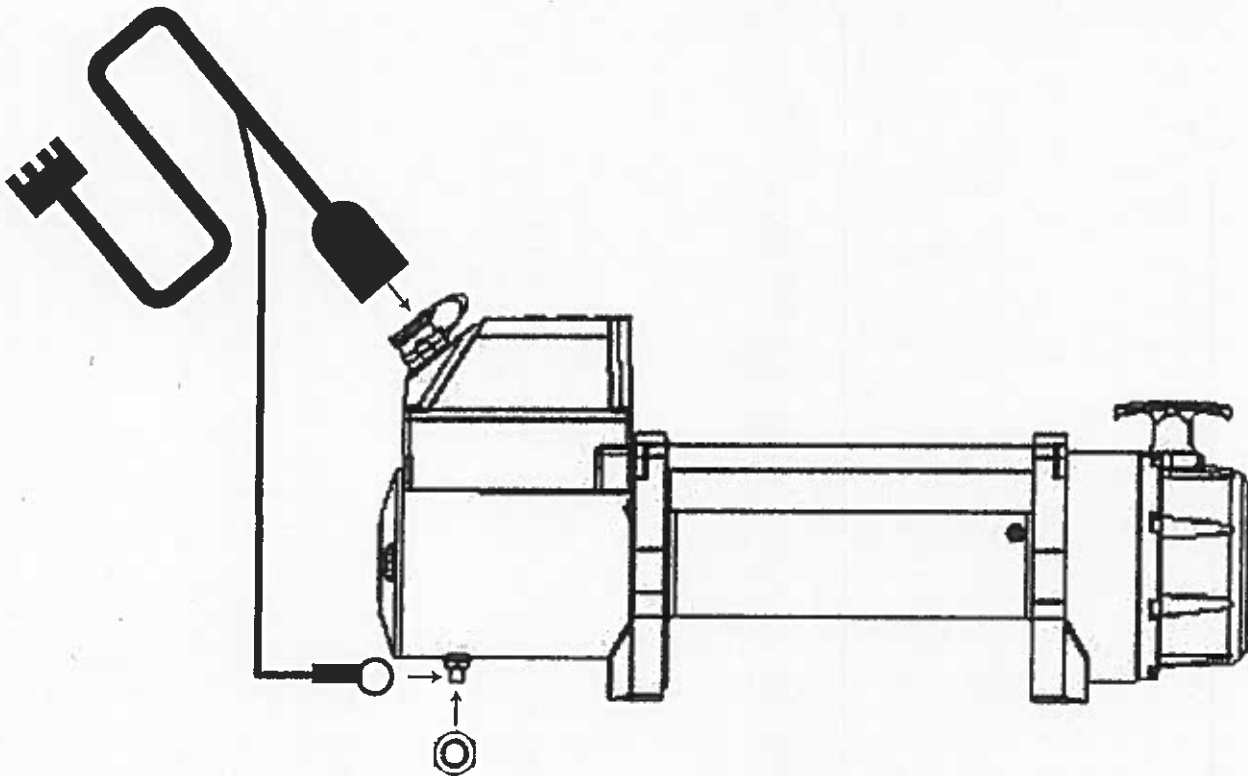


SUPERWINCH®

Service Bulletin: Tiger Shark/LP Harness Installation Instructions for ROAM/CERTUS Wireless

Date: September 27, 2016



1. To install the Harness to Superwinch Tiger Shark (9500 or 11500 only) or to Superwinch LP winches, install ring terminal to negative post on the bottom of the motor housing and secure with nut.
2. Then insert plug into socket. Then, follow ROAM instructions on set up.

Questions?

- Visit Superwinch.com for manuals and live chat
- Phone 800-323-2031 (Outside North America: 860-928-7787)
- Email support info@superwinch.com

Dayville, CT

Portland, OR

Tavistock, UK

superwinch.com