

# Winch Mount Installation Instructions

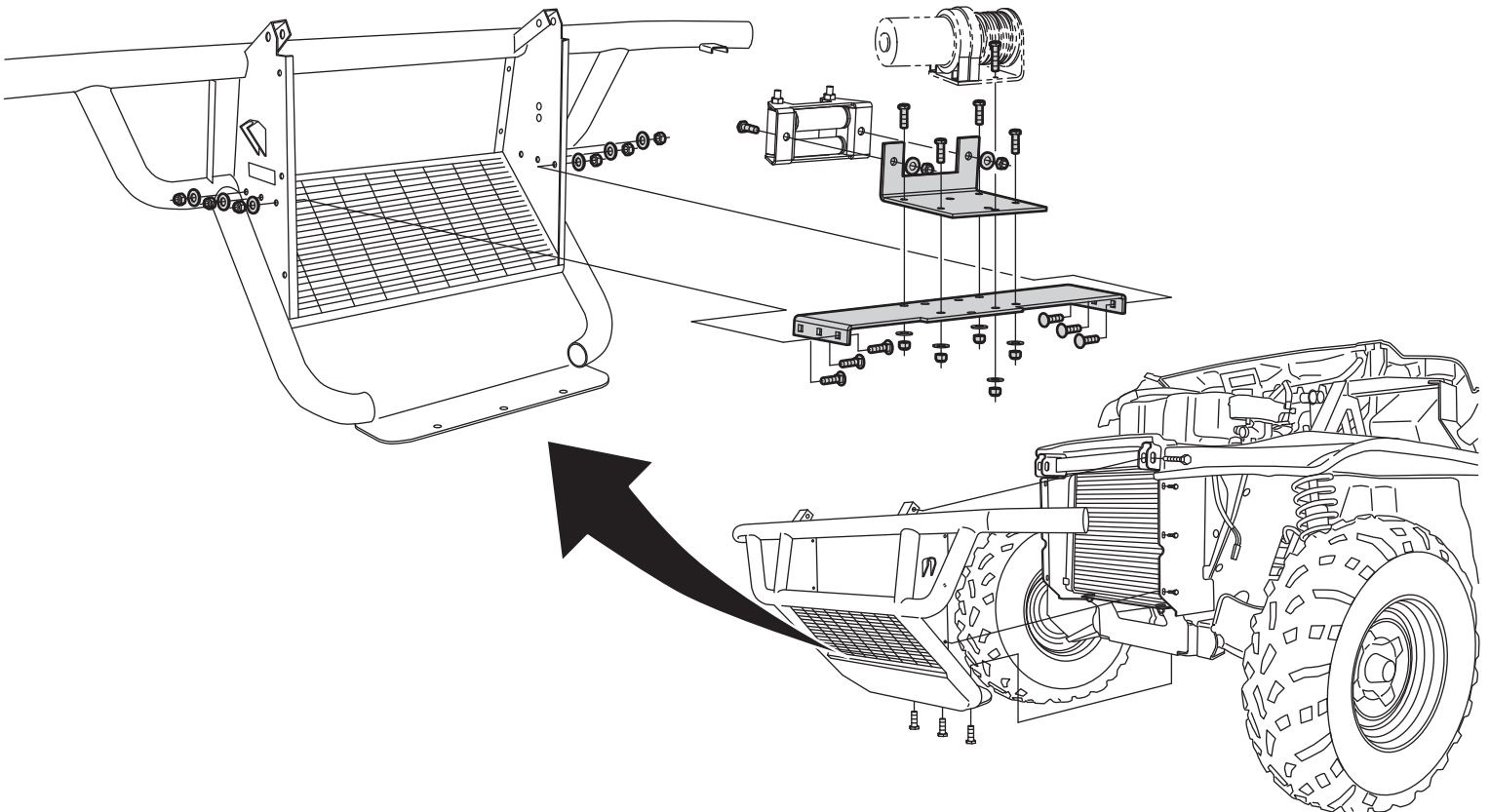
'03-08 Polaris 500 Ranger, '05 500 Ranger 6x6, '05-'08 Ranger 700 4x4, '09 Ranger 700 6x6  
Part Number: 1598X

Qty.	Part#	Description
1	1598-1	Winch Mount
1	1598-2	Roller Fairlead Mounting Brackets
2	HDW2050	5/16" x 3/4" Hex Bolts
6	HDW2069	5/16" X 3/4" Carriage Bolts
8	HDW7058	5/16" Nylock Nuts
6	HDW9002	5/16" Flat Washers

## INSTRUCTIONS:

**NOTE: Roller fairlead not included with this kit!**

1. Remove the top (2) torx bolts.
2. Remove the bottom (3) bumper bolts.
3. Remove the top (2) bumper bolts.
4. Fold the tabs up and push in the plastic buttons.
5. Remove the bumper.
6. Remove the flat grate by removing (4) torx bolts.
7. Install the winch mount in the bumper using (6) provided 5/16" bolts (three on each side), washers and Nylock nuts.
8. Place the roller fairlead mounting bracket on top of the mount per the illustration.
9. Install the winch on to the fairlead bracket/ winch mount using the hardware provided with the winch.
10. Install the roller fairlead to the winch mount using (2) 5/16" x 3/4" hex bolts and 5/16" Nylock nuts provided (roller should turn freely). **Note:** Bottom roller may need to be removed to run wire rope through.
11. Using the instructions provided with the winch, wire accordingly.
12. Reinstall the bumper. **Note:** As an option, cut the grate and reinstall behind the winch, otherwise, discard.



FOR QUESTIONS OR COMMENTS PLEASE CALL THE MANUFACTURER: **763-689-4800**

All images used are copyrighted property of CMP and may not be used without permission.

Inst1598X 10/04/06