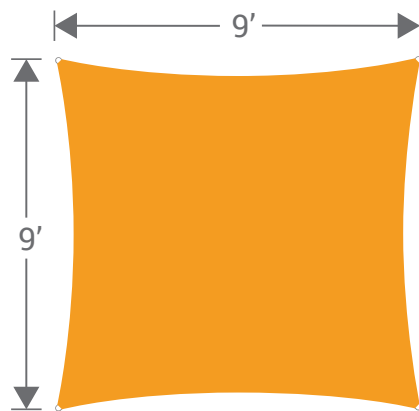




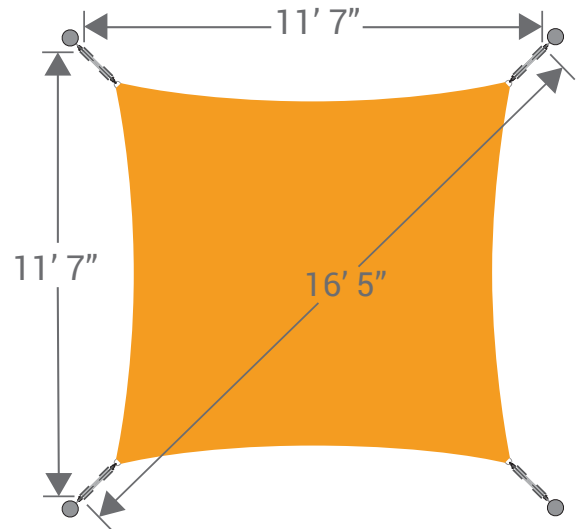
# SS-9 Shade Sail Spacing Guide

**DISCLAIMER:** These instructions are provided as a courtesy to Tenshon® customers and are to be used only as general guidelines. Tenshon accepts no responsibility for installations. If you are unsure about your installation, please consult a qualified builder or engineer.

The space required to hang a sail needs to be larger than the dimensions of the finished sail. This accounts for the attachment hardware used as well as the stretch of the sail. Pulley hardware sold by Tenshon is approximately 14" closed and 44" when completely extended.



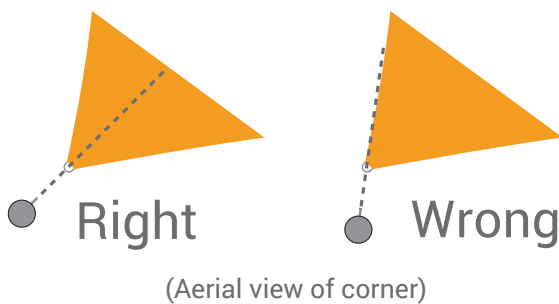
Dimensions of a relaxed sail



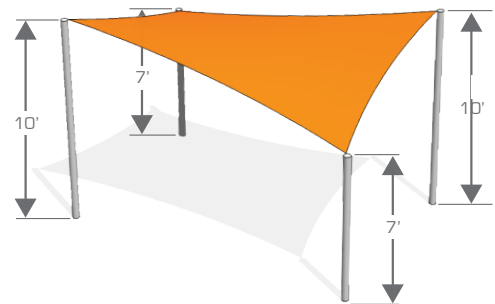
Minimum dimensions between anchor points for a tensioned sail with hardware

## Tips:

- ▶ Each pole or anchor point should be placed on a line that bisects the corner angle of the sail. This will evenly apply tension to all edges of the sail to reduce sagging and bunching at the corners.



- ▶ Height variation at the corners will not only create a pleasing aesthetic, it will also help the sail perform the way it is designed to. We recommend approximately one foot of height difference for every 5 feet between posts or anchor points.



- ▶ Anchor points should be strong and secure. When anchoring into a building, avoid attaching into fascia or soffits. Instead, use structural elements like studs, roof trusses or concrete filled CMU.

- ▶ Use pulleys because they allow the sail to be tensioned after all the corners are attached to the anchor points.