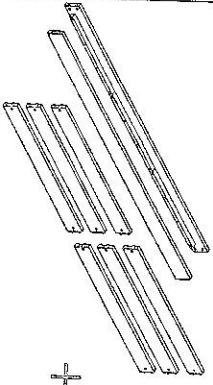
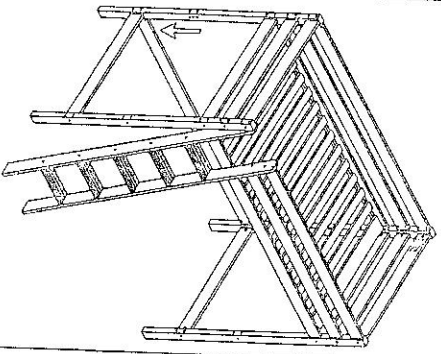


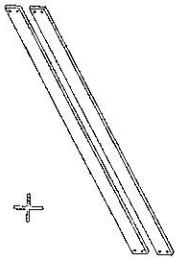
NATURAL BED COMBINATIONS

HIGH LOFT KIT

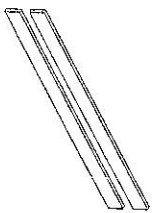
"Cartons needed to assemble this bed"



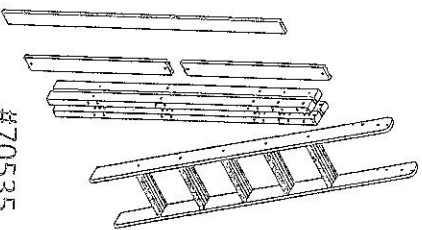
#70500



#70501



#70503

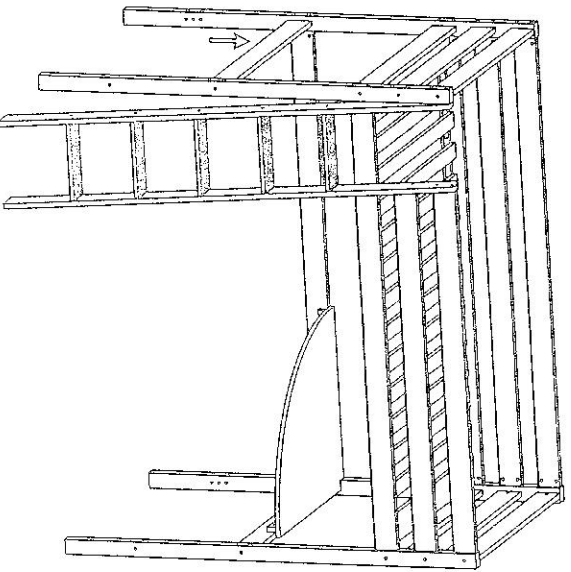


#70535




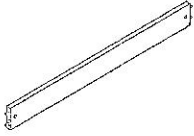
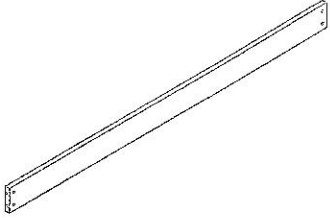

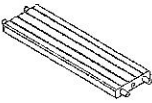
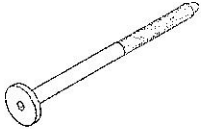


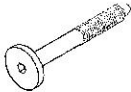
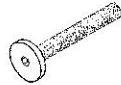

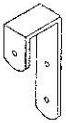


#70200

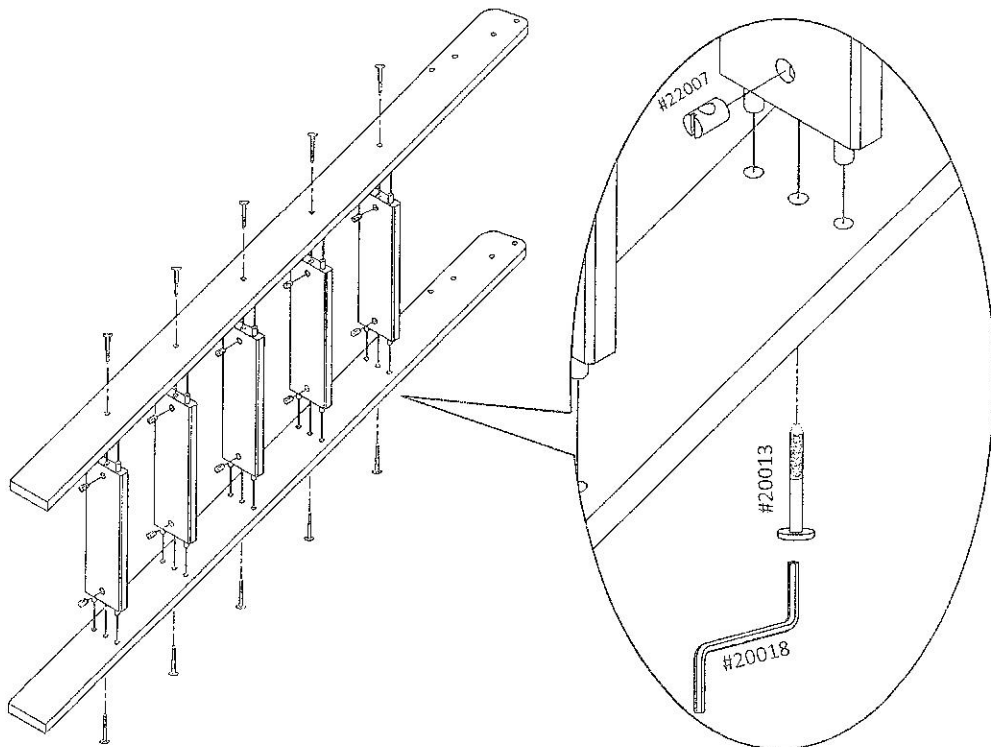
"High Loft Kit with item #70580 Corner desk – cross members 22001 and long cross member 22003 should be in highest position"

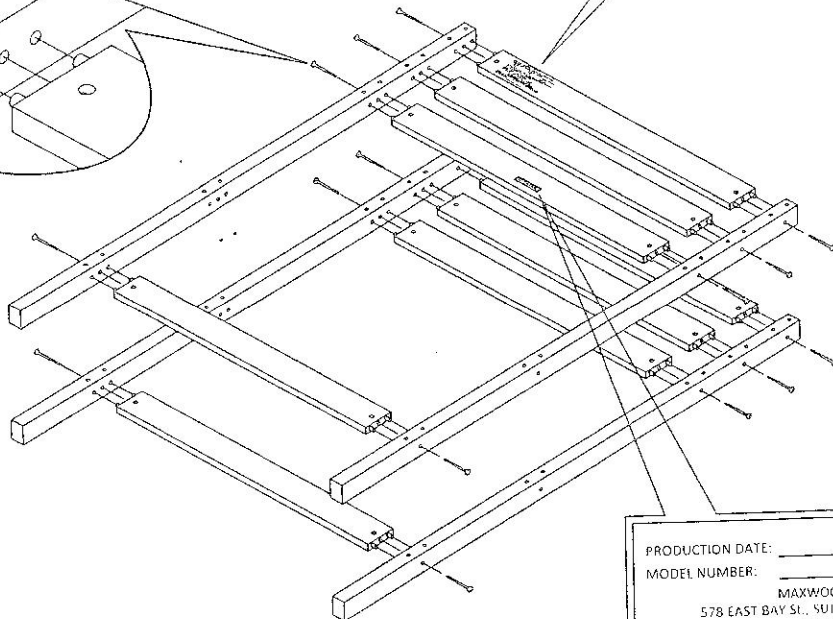
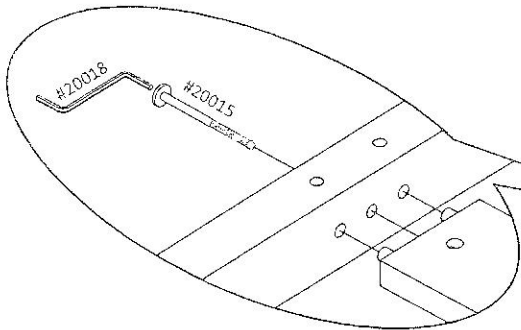
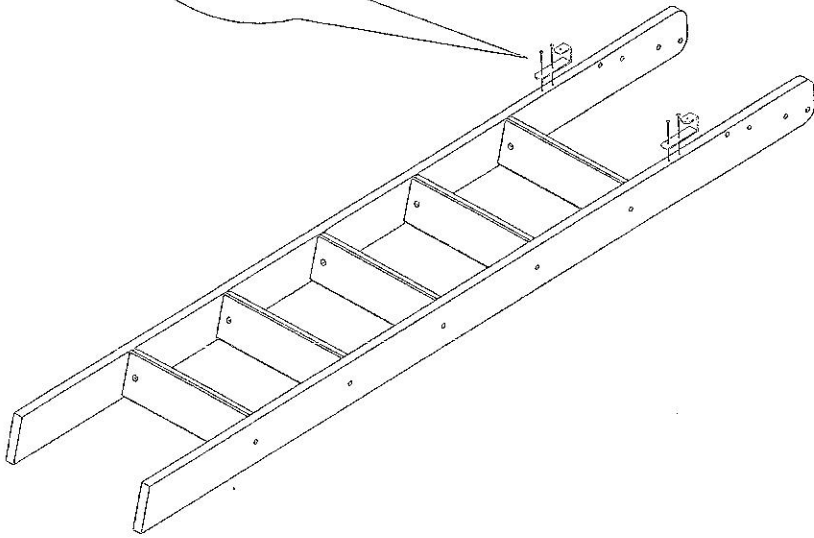
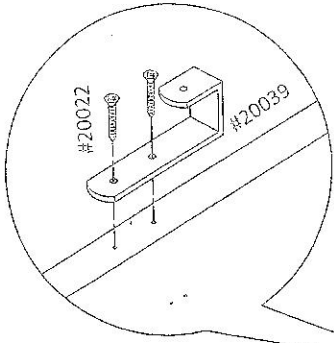


ASSEMBLY INSTRUCTION

#70535

| | | | | | |
|--|----------------------------------|--|----------------------------------|--|----------------------------------|
| <p>#22038: Legs</p>  | <p>4 x #22038</p> | <p>#22001: Cross member</p>  | <p>2 x #22001</p> | <p>#22003: Long cross member</p>  | <p>1</p> |
| <p>#22040: Right ladder side</p>  | <p>1 x #22039 1 x #22040</p> | <p>#22006: Ladder step</p>  | <p>5 x #22006</p> | <p>#22015: M8 110mm hex bolt</p>  <p>#22007: M8 Short cross dowel (16mm)</p>  | <p>12 x #2001 26 x #2200</p> |
| <p>#22039: Left ladder side</p>  | <p>2 x #20018</p> | <p>#20013: M8 60mm hex bolt</p>  | <p>14 x #20013</p> | <p>#22009: M8 78mm hex bolt</p>  <p>#22008: M8 hex socket</p>  | <p>4 x #2200 4 x #2200</p> |
| <p>#20039: J-Hook</p>  | <p>2 x #20039</p> | <p>#20045: 19mm wood screw</p>  <p>#20022: 30mm wood screw</p>  | <p>2 x #20045 4 x #20022</p> | | |





WARNING!

- TO HELP PREVENT SERIOUS OR FATAL INJURIES FROM ENTRAPMENT, CHILDREN:
- NEVER ALLOW A CHILD UNDER 6 YEARS ON UPPER BUNK.
- USE ONLY MATTRESS MEET AND THE FOLLOWING SPECIFICATIONS:

| | | |
|--------|-----------|-----------|
| LENGTH | 75" - 75" | 75" - 75" |
| WIDTH | 30" - 30" | 30" - 30" |
- ENSURE THE KNEES OF MATTRESS AND FEET AND TOES FROM GRAB BARS, ARE NOT IN AT 5" AND MATTRESS IS AT LEAST 5" BELOW UPPER EDGE OF LAMPING.
- USE GUARD RAILS ON BOTH SIDES OF UPPER BUNK.
- PROHIBIT HORSEPLAY ON OR UNDER BUNKS.
- PROHIBIT MORE THAN ONE PERSON ON THE UPPER BUNK.
- USE LADDER FOR ENTERING AND LEAVING UPPER BUNK.

STRANGULATION HAZARD

NEVER ATTACH OR HANG ITEMS TO ANY PART OF THE BED FRAME THAT ARE NOT DESIGNED FOR USE WITH THE BED. FOR EXAMPLE, DO NOT HANG HAMMERS, KNIVES, BELTS, AND JUMPROPS.

DO NOT REMOVE THIS LABEL

PRODUCTION DATE: _____ DD/MM/YYYY
 MODEL NUMBER: _____ 70500
 MAXWOOD FURNITURE - FW
 578 EAST BAY ST., SUITE C, CHARLESTON SC, 29403 USA
 MADE IN VIETNAM

"High Loft kit with item #70580 Corner desk -- cross members 22001 should be in highest position"

WARNING!

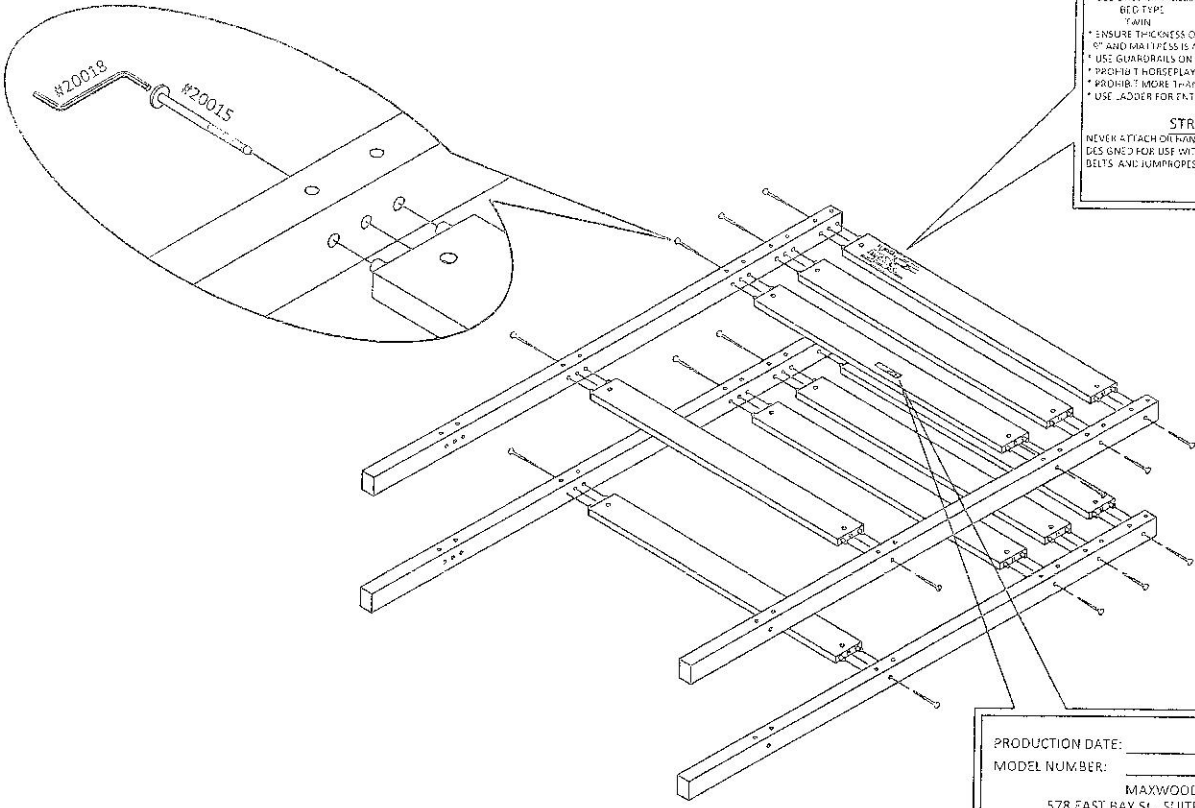
- TO HELP PREVENT SERIOUS OR FATAL INJURIES FROM ENTRAPMENT OR FALLS:
- NEVER ALLOW A CHILD UNDER 6 YEARS OF AGE TO USE.
- USE ONLY MATTRESS MEETING THE FOLLOWING SPECIFICATIONS ON UPPER BUNKER:

| BED TYPE | LENGTH | WIDTH |
|----------|-----------|---------------|
| TWIN | 74" - 75" | 37" - 38 1/2" |
- ENSURE THICKNESS OF MATTRESS AND FOUNDATION COMBINED DOES NOT EXCEED 10" AND MATTRESS IS AT LEAST 5" BELOW UPPER EDGE OF GUARDRAILS.
- USE GUARDRAILS ON BOTH SIDES OF UPPER BUNKER.
- PROHIBIT HORSEPLAY ON OR UNDER BUNKER.
- PROHIBIT MORE THAN ONE PERSON ON THE UPPER BUNKER.
- USE LADDER FOR ENTERING AND LEAVING UPPER BUNKER.

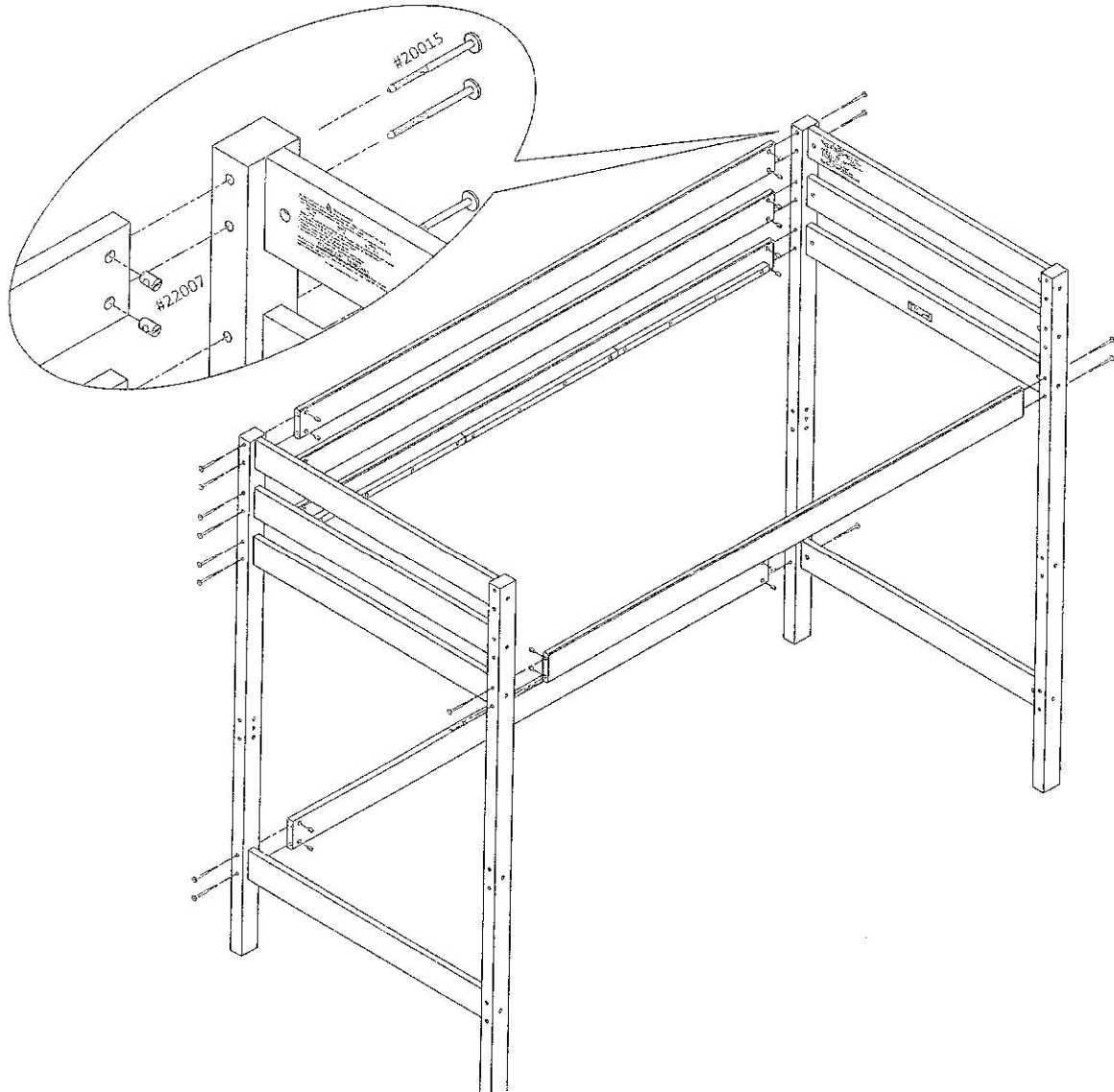
STRANGULATION HAZARD

NEVER ATTACH OR HANG ANY OBJECTS TO ANY PART OF THE BUNKER BED THAT ARE NOT DESIGNED FOR USE WITH THE BED, FOR EXAMPLE, BUT NOT LIMITED TO, HOOKS, BELTS AND JUMPROPS.

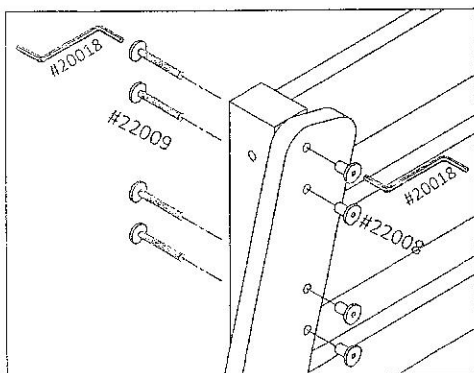
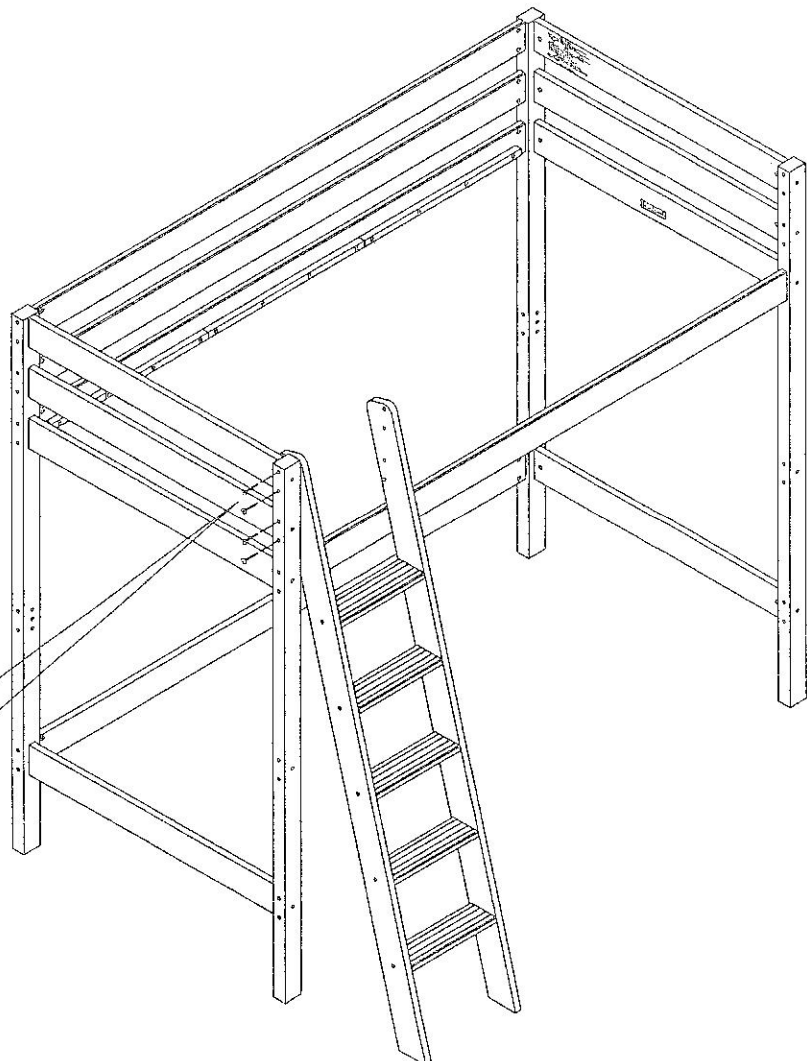
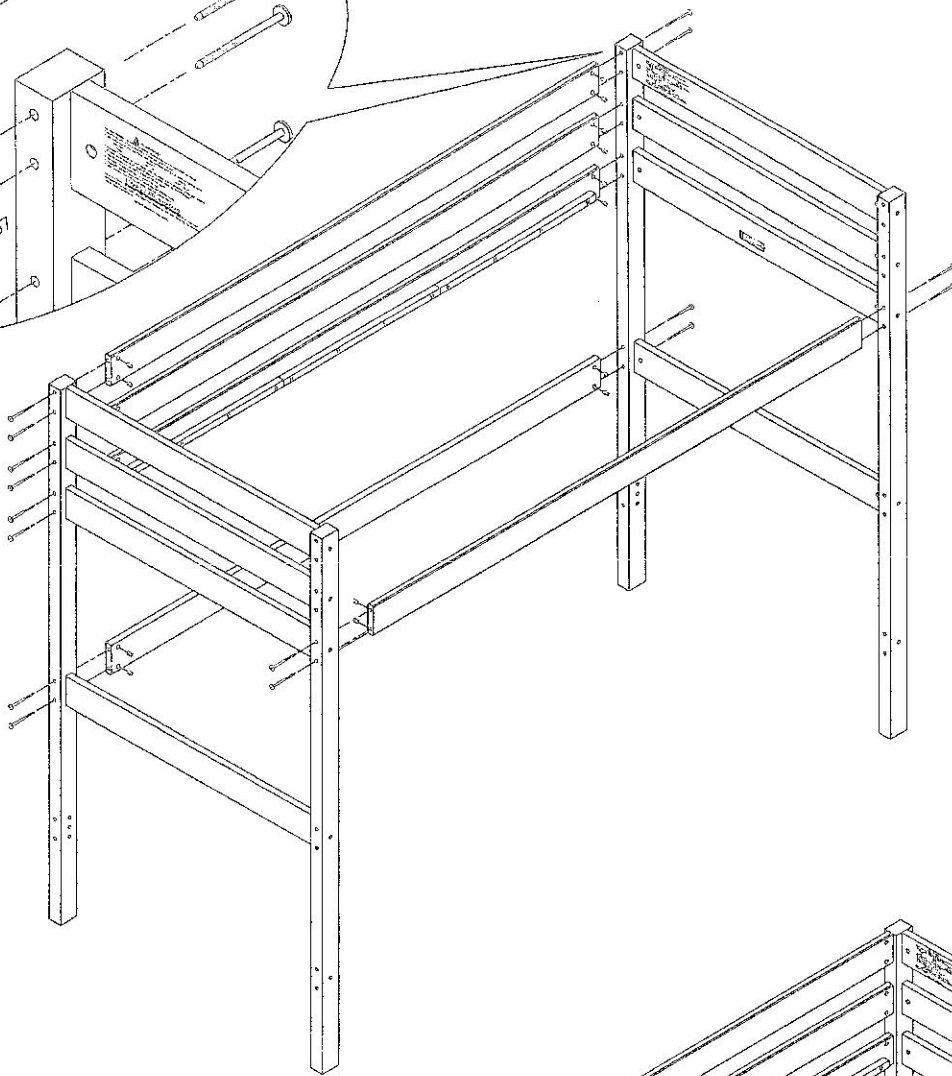
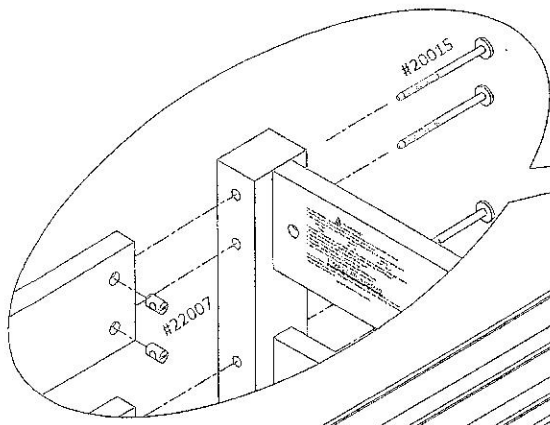
DO NOT REMOVE THIS LABEL

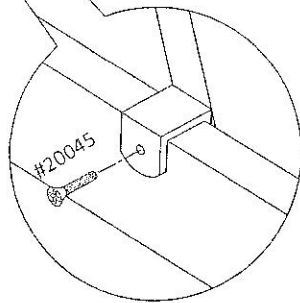
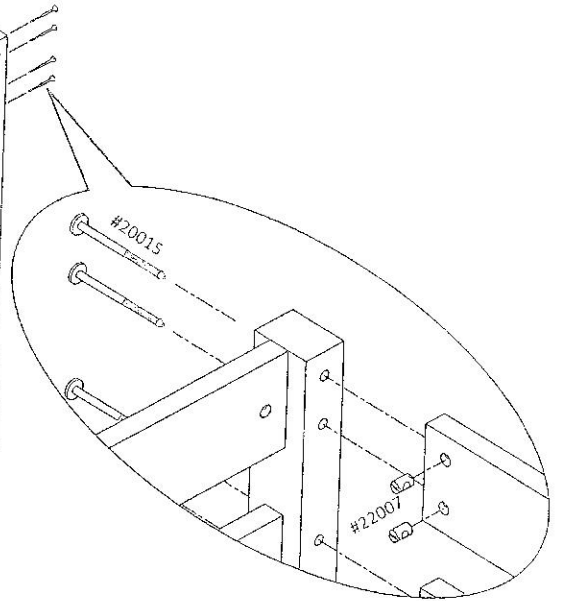
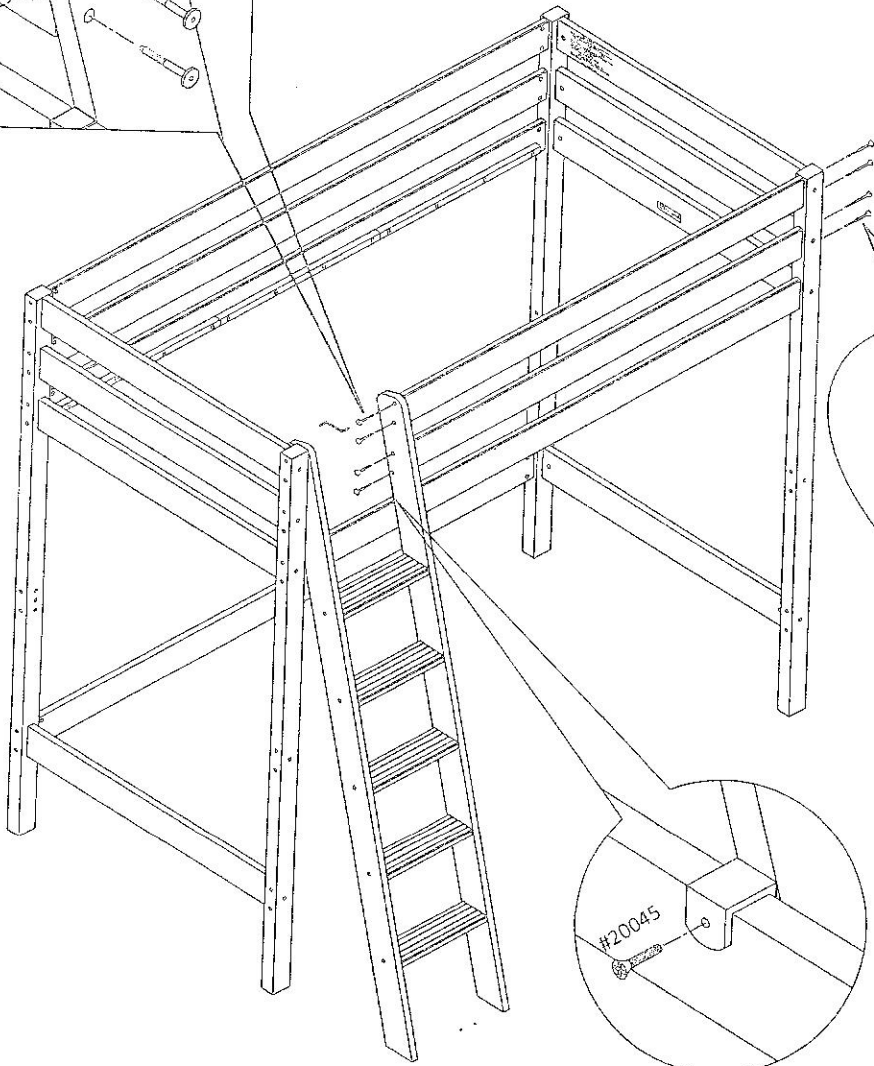
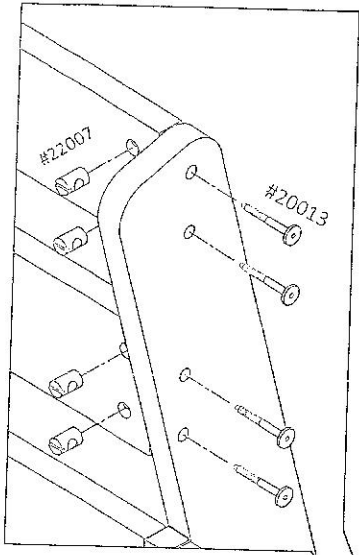


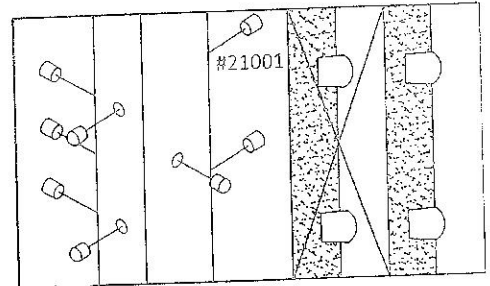
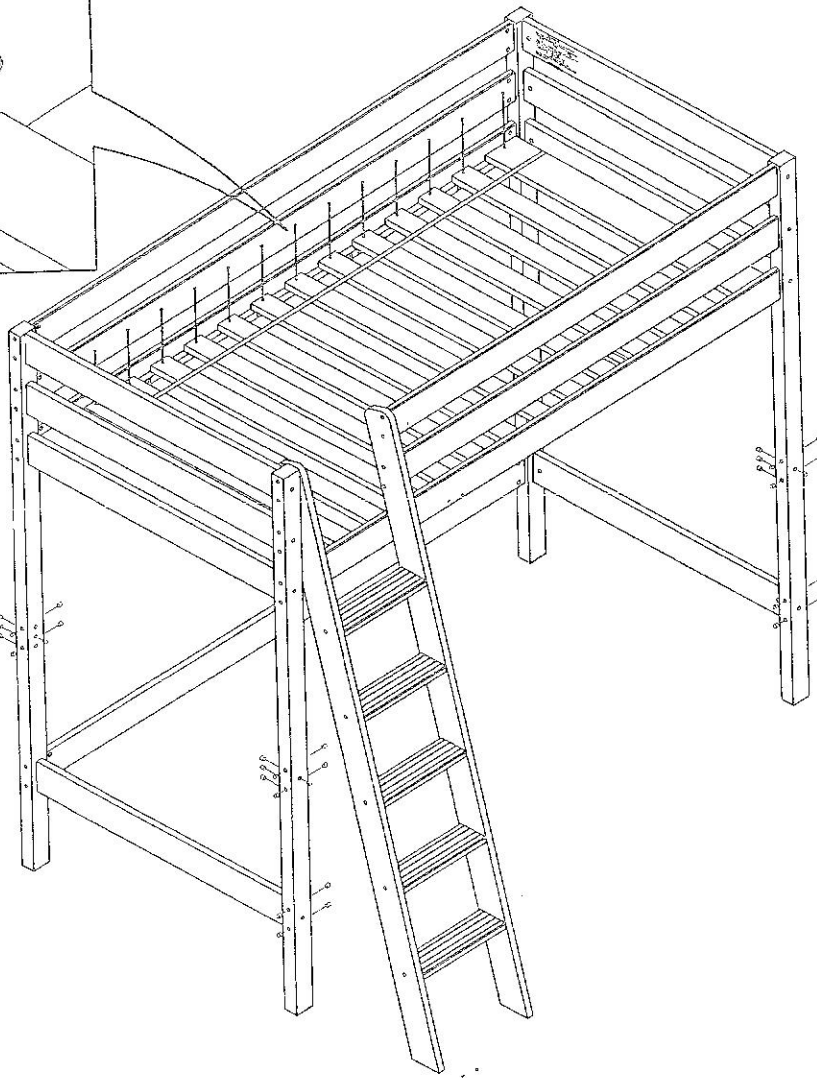
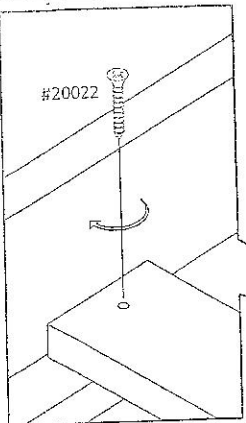
PRODUCTION DATE: _____ DD/MM/YYYY
 MODEL NUMBER: _____ 70500
 MAXWOOD FURNITURE - FW
 578 EAST BAY ST., SUITE C, CHARLESTON SC, 29403, USA
 MADE IN VIETNAM



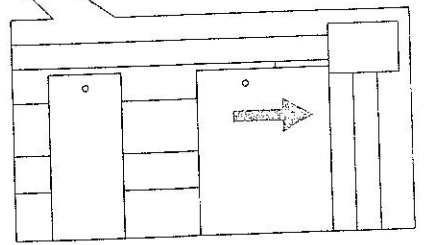
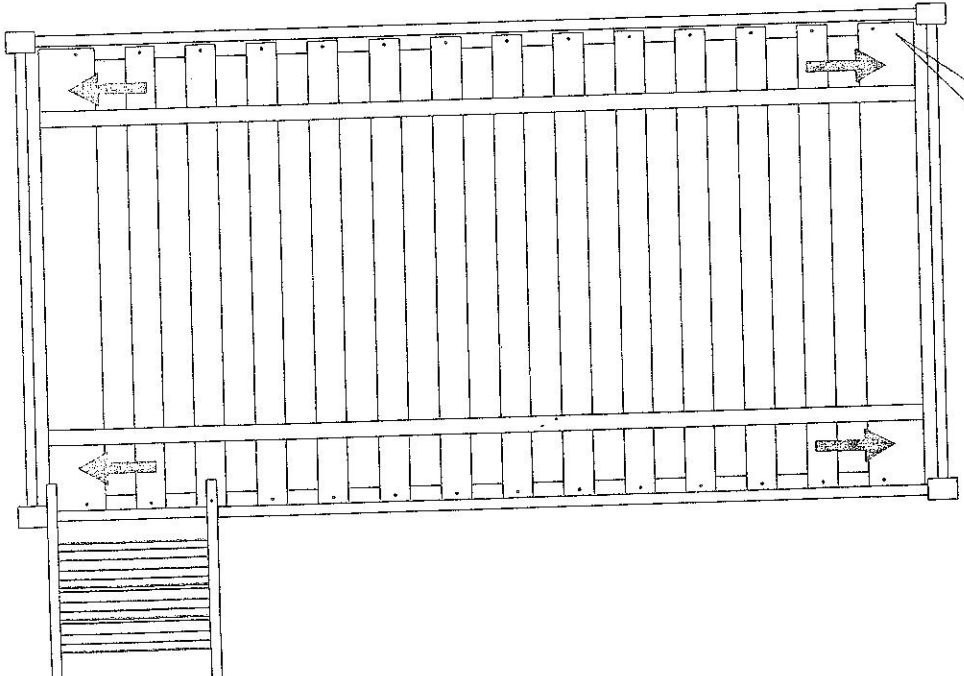
"High Loft kit with item #70580 Corner desk – long cross member 22003 should be in highest position"







TOP VIEW



Insert wooden plugs

When bed is completely assembled, you may proceed to plug up the holes in the bed.

Size of mattress and foundation:

This bed is designed to use a TWIN size mattress 74 inch - 75 inch (188cm - 190.5cm) long and 37 1/2" - 38 1/2" (95.5cm - 97.5cm) wide. The total thickness of the mattress and foundation must not exceed 9 inches (23cm).

Note: There must be at least 5 inches (12.7cm) from mattress sleeping surface to top edge of guard rail.

Replacement Parts:

Replacement Parts, including additional guard rails, may be obtained from any of our dealers.

IMPORTANT:

ALWAYS REMEMBER TO CHECK AND TIGHTEN LOOSE BOLTS/HARDWARE EVERY MONTH, AS THESE MAY LOOSEN WITH USE OVER TIME.

KEEP THESE INSTRUCTIONS FOR FUTURE REFERENCE.



WARNING:
CHOKING HAZARD- Small Parts
Not for children under 3 years of age.

ENGLISH

Size of Mattress and Foundation.

This bed is designed to use a mattress size 74" - 75" long and 37 1/2" - 38 1/2" wide with Twin size. The total thickness must not exceed 9".

Note: There must be at least 5" from mattress sleeping surface to top edge of guardrail.

SAFETY WARNINGS

1. Follow the information on the warnings appearing on the upper bunk bed end structure and on the carton.
Do not remove warning label from bed.
2. Always use recommended size mattress or mattress support, or both, to help prevent the likelihood of entrapment or falls.
3. Surface of mattress must be at least 5 in. 127mm below the upper edge of the guardrails.
4. Do not allow children under 6 years of age to use the upper bunk.
5. Periodically check and ensure that the guardrail, ladder and other components are in their proper position, free from damage and that all the connectors are tight.
6. Do not allow horseplay on or under the bed and prohibit jumping on the bed.
7. Prohibit more than one person on upper bunk.
8. Always use the ladder for entering and leaving the upper bunk.
9. Do not use substitute parts. Contact manufacturer or dealer for replacement parts.
10. Use of a night light may provide added safety precaution for a child using the upper.
11. Always use guardrails on both long sides of upper bunk.
12. If the bunk bed will be placed next to a wall, the guardrail that runs the Full length of the bed should be placed against the wall to prevent entrapment between the bed and the wall.
13. The use of water or sleep flotation mattresses is prohibited.
14. Keep these instructions for future reference.

STRANGULATION HAZARD

15. Never attach or hang items to any part of the bunk bed that are not designed for use with the bed, for example but not limited to hooks, belts, and jump ropes.

Replacement Parts

Replacement parts, including additional guard rails, may be obtained from any of our Maxwood Furniture dealers.

FRANCAIS

Dimension du Matelas et base de Lit.

Cet lit été conçu pour contenir un matelas de dimension 74 - 75 pouces de long et 37 1/2 - 38 1/2 pouces de large avec "Twin" taille. L'épaisseur totale de doit pas excéder 9 pouces.

Note: Il doit y avoir une distance d'au moins 5 pouces entre la surface du matelas et la partie supérieure de la barrière de sécurité

AVERTISSEMENT

1. Suivre les indications apparaissant sur la partie Supérieure du lit superposé ainsi que sur le carton.
Ne pas enlever les indications au lit.
2. Toujours utiliser la dimension du matelas et/ou du sommier recommandée afin de réduire les probabilités de blessures.
3. La surface du matelas doit être d'au moins 5 pouces en-dessous de la partie supérieure de la barrière de sécurité.
4. Interdire l'utilisation du lit supérieur aux enfants de moins de 6 ans.
5. Vérifier et s assurer périodiquement que la barrière de sécurité, l'échelle et les autres pièces sont à leur position respective, à l'abri des dommages, et que les raccords sont solides.
6. Ne pas autoriser le chahut sur et en-dessous du lit et interdiction de sauter sur le lit.
7. Interdire plus d'une personne sur le lit supérieur.
8. Toujours utiliser l'échelle pour monter et descendre du lit.
9. Ne pas utiliser de substitut de pièces. Contacter le manufacturier ou détaillant pour le remplacement des pièces.
10. Pour une sécurité additionnelle de l'enfant, l'utilisation d'une veilleuse est recommandée.
11. Toujours utiliser les barrières de sécurité le long des deux côtés du lit supérieur.
12. Si le lit est positionné près du mur, la barrière de sécurité pleine longueur doit être placée entre le mur et le lit afin d'éviter à l'enfant d'être pris au piège.
13. L'utilisation de matelas ou lit d'eau est interdit.
14. Conserver ces instructions pour référence future.

RISQUE D'ÉTRANGLEMENT

15. N'attachez jamais ou accrochez les articles à n'importe quelle partie du lit de couchette qui ne sont pas conçus pour l'usage avec le lit, par exemple mais non limité aux crochets, aux ceintures, et aux cordes de saut.

Pièces de remplacement

Les pièces de remplacement, incluant les barrières de sécurité additionnelles, sont disponibles dans tous les détaillants Maxwood Furniture.