

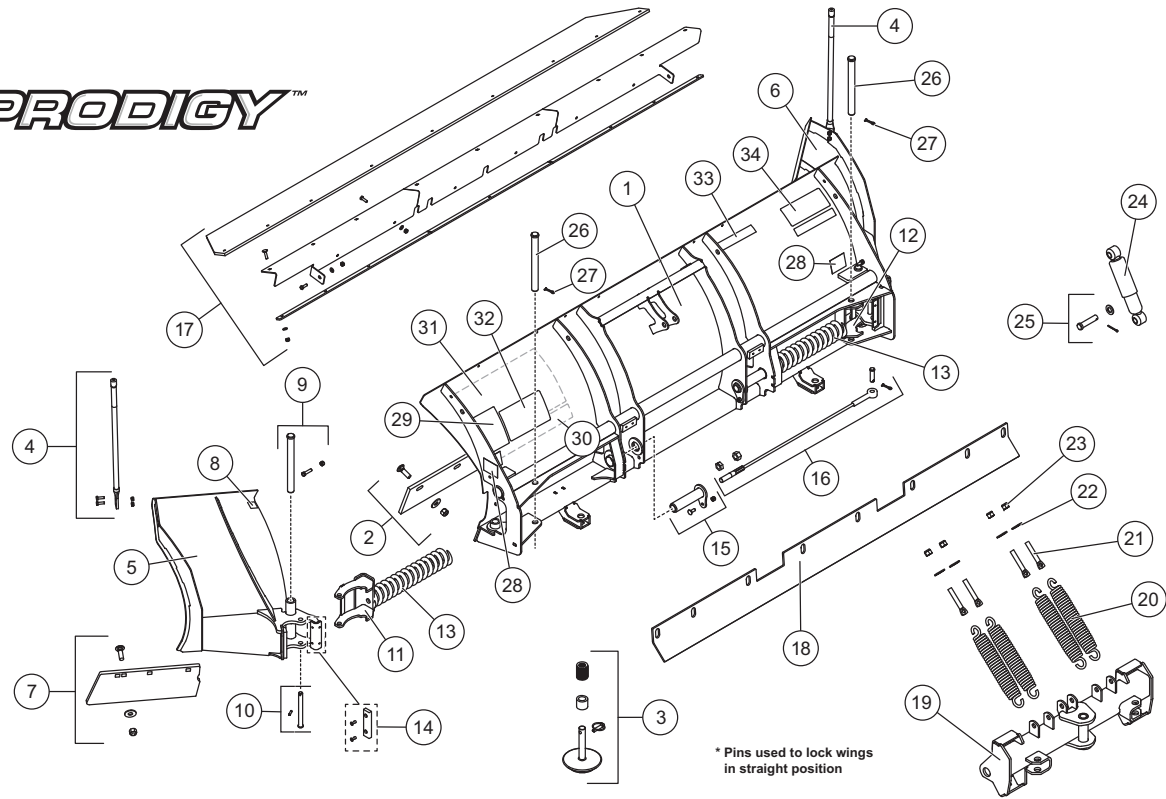


# PRODIGY™ // WIDE-OUT™

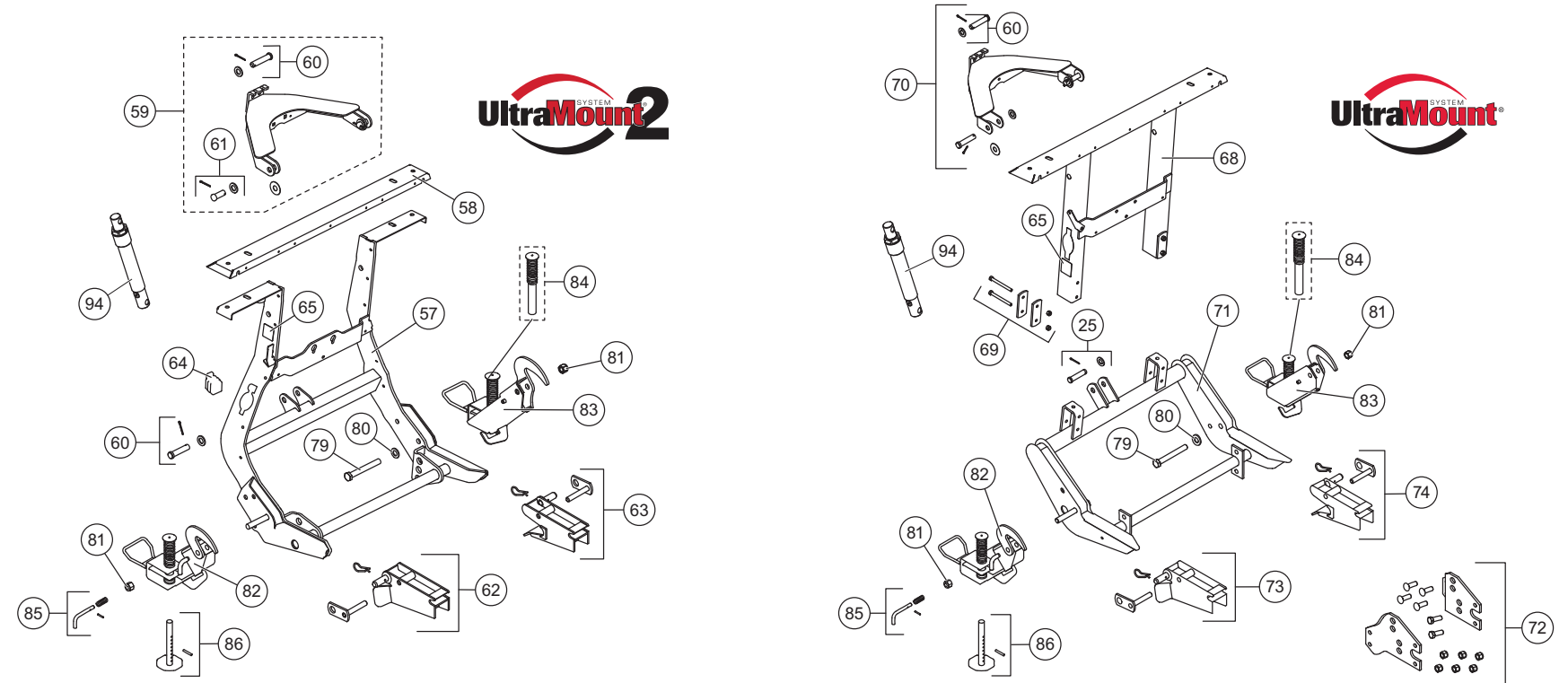
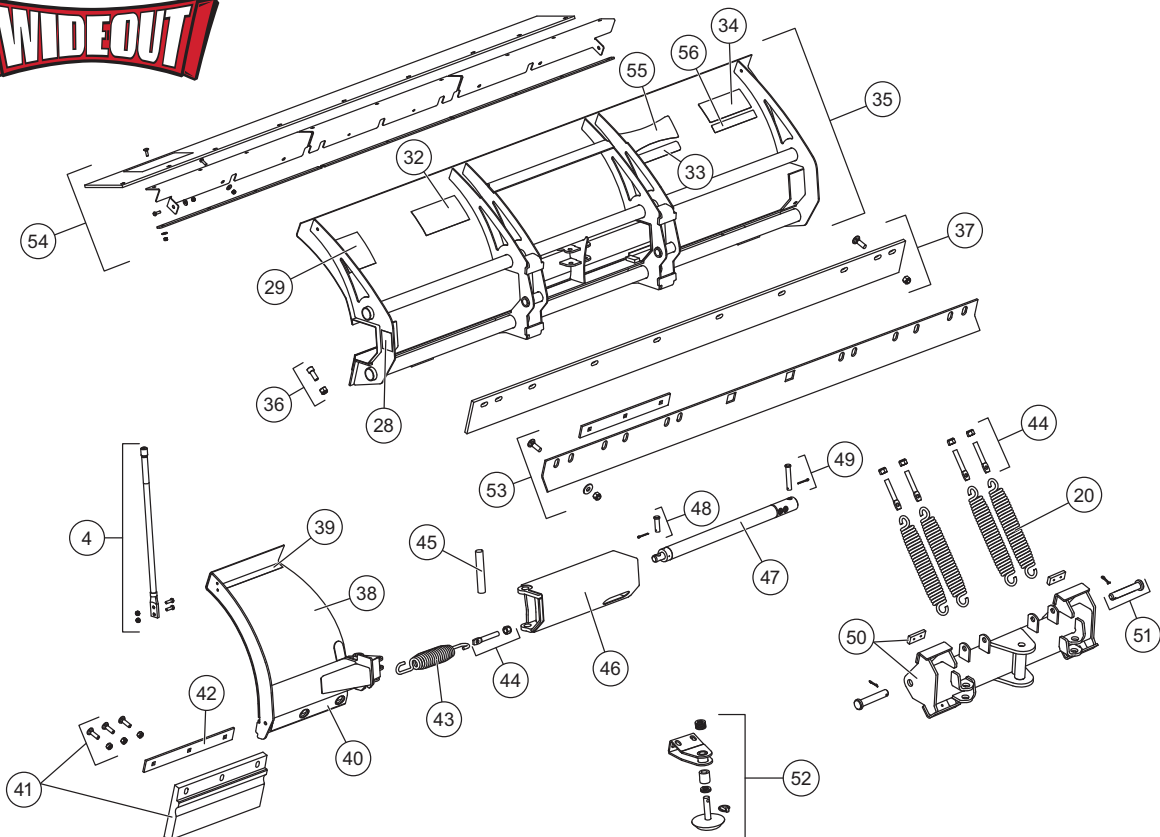
## UltraMount® & UltraMount® 2 Systems

# SERVICE PARTS

**PRODIGY™**

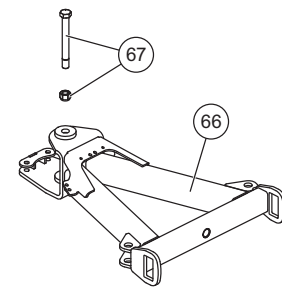


**WIDEOUT**

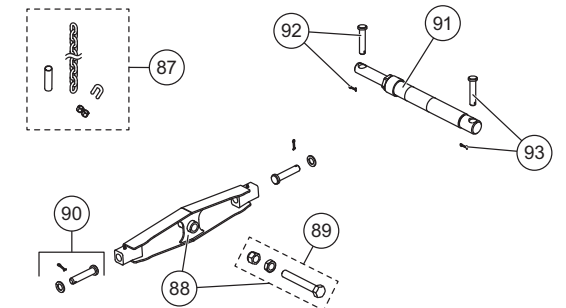
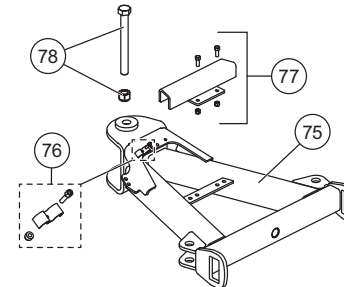


### A-Frame, Pivot Bar, Angle Rams, Lift Chain Kit

**PRODIGY**  
UltraMount 2



**WIDE-OUT**  
UltraMount  
UltraMount 2



### BLADE COMPONENTS

| Item | Part  | Description                              | Item | Part   | Description                         | Item | Part    | Description                                   |
|------|-------|--|------|--------|-------------------------------------|------|---------|---|
| 1    | 41750 | Moldboard (w/labels)                     | 21   | 90490  | 5/8-11 x 4 Eyebolt G2               | 41   | 50626   | Urethane Edge Assembly Kit (DS & PS)          |
| 2    | 49799 | Moldboard Cutting Edge Kit, PRODIGY      | 22   | 90576  | 5/8 Hardened Flat Washer            | 42   | 50644   | Retainer Bar                                  |
| 3    | 49853 | HD Plow Shoe Assembly Kit (set of 2)     | 23   | 91416  | 5/8-11 Hex Nut G5                   | 43   | 50654   | Wing Spring                                   |
| 4    | 62595 | Blade Guide Assembly (DS and PS)         | 24   | 63979  | Shock Absorber                      | 44   | 66421   | 5/8-11 x 4 Eyebolt Kit                        |
| 5    | 41751 | Wing, PRODIGY – DS                       | 25   | 93063K | 3/4 x 3-1/4 Clevis Pin Kit          | 45   | 50660   | Wing Pin                                      |
| 6    | 41752 | Wing, PRODIGY – PS                       | 26   | 42738  | 3/4 x 9 Clevis Pin                  | 46   | 50658   | DS Blade Slidebox                             |
| 7    | 42383 | Wing Cutting Edge Kit (DS and PS)        | 27   | 91962  | 1/8 Hairpin Cotter                  | ns   | 50659   | PS Blade Slidebox                             |
| 8    | 43528 | Wear Strip – Wing Top                    | 28   | 29593  | Label – Multiple Pinch Points       | 47   | B60347  | Hydraulic Cylinder, Slide Box                 |
| 9    | 42396 | Hinge Pin Kit                            | 29   | 59900  | Label – Warning/Caution, Snowplows  | ns   | B60373  | Combo Seal Kit, Cylinder B60347               |
| 10   | 42397 | Spring Guide Pin Kit                     | 30   | 43175  | Label – Identity, PRODIGY           | 48   | 50651   | 5/8 x 2 Pin Kit                               |
| 11   | 42392 | Spring Guide – DS                        | 31   | 40986  | Label – CONTRACTOR GRADE®           | 49   | 50653   | 5/8 x 3 Pin Kit                               |
| 12   | 42393 | Spring Guide – PS                        | 32   | 43360  | Label – UltraMount® 2 Attach/Detach | 50   | 50675   | Quadrant Assembly, WIDE-OUT                   |
| 13   | 42725 | Compression Spring                       | 33   | 67796* | Label – UltraMount® Attach/Detach   | 51   | 50677   | Pin Kit                                       |
| 14   | 42395 | Bumper Kit                               | 34   | 28404  | Label – ULTRAFINISH™                | 52   | 44277-1 | Shoe Kit (set of 2)                           |
| 15   | 42531 | Pivot Bushing Kit                        | 35   | 44451  | Label – Identity, WESTERN®          | 53   | 52278   | Back Drag Edge Kit, WIDE-OUT (accessory only) |
| 16   | 42389 | Cable Assembly w/Hardware                | 36   | 50667  | WIDE-OUT Blade                      | 54   | 52280   | Deflector Kit, WIDE-OUT (accessory only)      |
| 17   | 42384 | Deflector Kit, PRODIGY (accessory only)  | 37   | 50661  | Stop Bolt Kit                       | 55   | 50617   | Label – Identity, WIDE-OUT                    |
| 18   | 42437 | Back Drag Edge, PRODIGY (accessory only) | 38   | 50649  | DS Blade Wing, WIDE-OUT             | ns   | 50618   | Label – WIDE-OUT Wings                        |
| 19   | 49769 | Quadrant, PRODIGY                        | ns   | 50650  | PS Blade Wing, WIDE-OUT             | 56   | 50603   | Wear Strip, Wing Top                          |
| 20   | 23039 | Trip Spring                              | 39   | 50639  | Wear Strip, Wing Top                | 56   | 50603   | Wear Strip, Wing Bottom                       |
|      |       | DS/PS = Driver/Passenger Side            | 40   | 50638  | Wear Strip, Wing Bottom             |      |         | ns = not shown                                |
|      |       |  |      |        | G = Grade                           |      |         |   |

\* For WIDE-OUT snowplows used with UltraMount system

### LIFT FRAME/A-FRAME

| Item | Part    | Description   | Item | Part    | Description                              |
|------|---------|---|------|---------|--|
| 25   | 93063K  | 3/4 x 3-1/4 Clevis Pin Kit                                | 77   | 50676   | Stacking Stop Kit, WIDE-OUT (UltraMount) |
| 57   | 43301   | Lift Frame (UltraMount 2)                                 | 78   | 50668   | Pivot Bolt Kit, 9-1/2"                   |
| 58   | 43302   | Light Channel   | 79   | 66451   | 3/4-10 x 6 Hex Cap Screw G5              |
| 59   | 43304   | Lift Arm Kit (UltraMount 2)                               | 80   | 91147   | 3/4 Flat Washer                          |
| 60   | 68740   | 3/4 x 3-1/2 Clevis Pin Kit                                | 81   | 91338   | 3/4-10 Hex Locknut GB                    |
| 61   | 43351   | 3/4 x 2 Pin Kit   | 82   | 67845   | Stand Assembly – DS                      |
| 62   | 42496   | Receiver Kit – DS (UltraMount 2)                          | 83   | 67846   | Stand Assembly – PS                      |
| 63   | 42497   | Receiver Kit – PS (UltraMount 2)                          | 84   | 48523   | Plunger w/Spring                         |
| 64   | 61246   | Cable Boot  | 85   | 67844   | Stand Lock Pin Kit                       |
| 65   | 69689   | Label – SECURITY GUARD™ (not used for Central Hydraulics) | 86   | 67847   | Stand Shoe Kit                           |
| 66   | 49767   | A-Frame, PRODIGY  | 87   | 49033   | 1/4 Grade 43 Chain Assembly              |
| 67   | 49768   | Pivot Pin Kit, 9"   | 88   | 67842-1 | Pivot Bar Kit                            |
| 68   | 44545-2 | Upper Lift Frame (UltraMount)                             | 89   | 67855   | Pivot Bolt Kit, 7"                       |
| 69   | 69716   | Lift Frame Clamp Kit (UltraMount)                         | 90   | 49645   | 1 x 4-3/4 Clevis Pin Kit                 |
| 70   | 67850-2 | Lift Arm Kit (UltraMount)                                 | 91   | 49460   | Angle Ram Assembly 1-1/2 x 10            |
| 71   | 67556-2 | Lower Lift Frame (UltraMount)                             | 92   | 50674   | Pin Kit, Rod End                         |
| 72   | 67843   | Pivot Plate Service Kit                                   | 93   | 50672   | Pin Kit, Base End                        |
| 73   | 67858   | Receiver Kit – DS (UltraMount)                            | 94   | 56538K  | Lift Ram Assembly 1-1/2 x 8              |
| 74   | 67859   | Receiver Kit – PS (UltraMount)                            |      |         |  |
| 75   | 50670   | A-Frame Kit, WIDE-OUT                                     |      |         |  |
| 76   | 49479-1 | Hose Bracket Kit  |      |         |  |
|      |         | DS/PS = Driver/Passenger Side                             |      |         | G = Grade                                |

Complete parts lists are available at [www.westernplows.com](http://www.westernplows.com): PRODIGY – Lit. No. 42421; WIDE-OUT – Lit. Nos. 43188 (UltraMount 2) or 49509 (UltraMount).

Copyright © 2014 Douglas Dynamics, LLC. All rights reserved. This material may not be reproduced or copied, in whole or in part, in any printed, mechanical, electronic, film or other distribution and storage media, without the written consent of Western Products. Authorization to photocopy items for internal or personal use by Western Products outlets or snowplow owner is granted.

Western Products reserves the right under its product improvement policy to change construction or design details and furnish equipment when so altered without reference to illustrations or specifications used. Western Products or the vehicle manufacturer may require or recommend optional equipment for snowplows. Do not exceed vehicle ratings with a snowplow. Western Products offers a limited warranty for all snowplows and accessories. See separately printed page for this important information. The following are registered (®) or unregistered (™) trademarks of Douglas Dynamics, LLC: CONTRACTOR GRADE®, PRODIGY™, SECURITY GUARD™, ULTRAFINISH™, UltraMount®, UltraMount® 2, WESTERN®, WIDE-OUT™.

[www.westernplows.com](http://www.westernplows.com)

Western Products  
P.O. Box 245038  
Milwaukee, WI 53224-9538



Use only genuine WESTERN replacement parts.