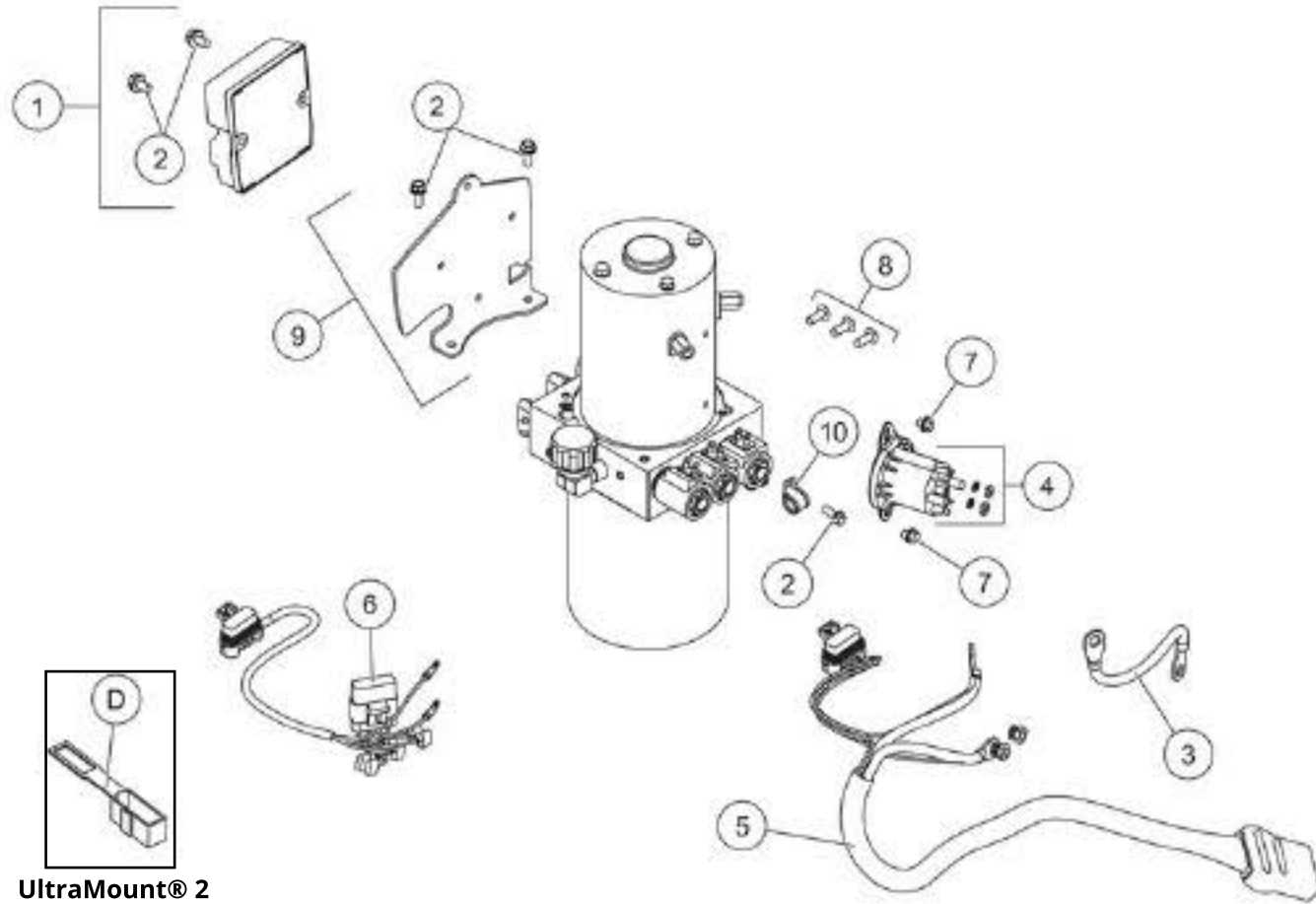
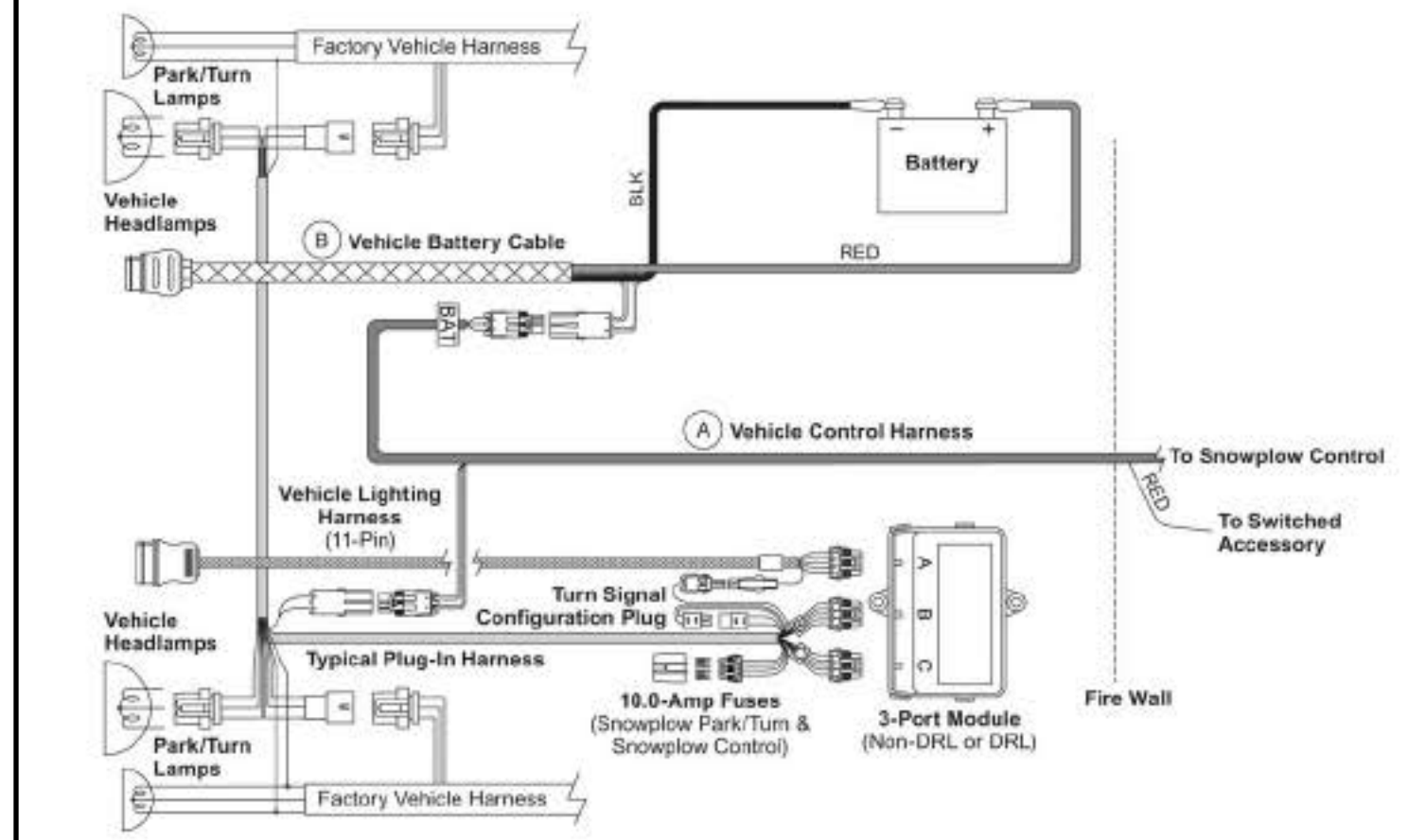


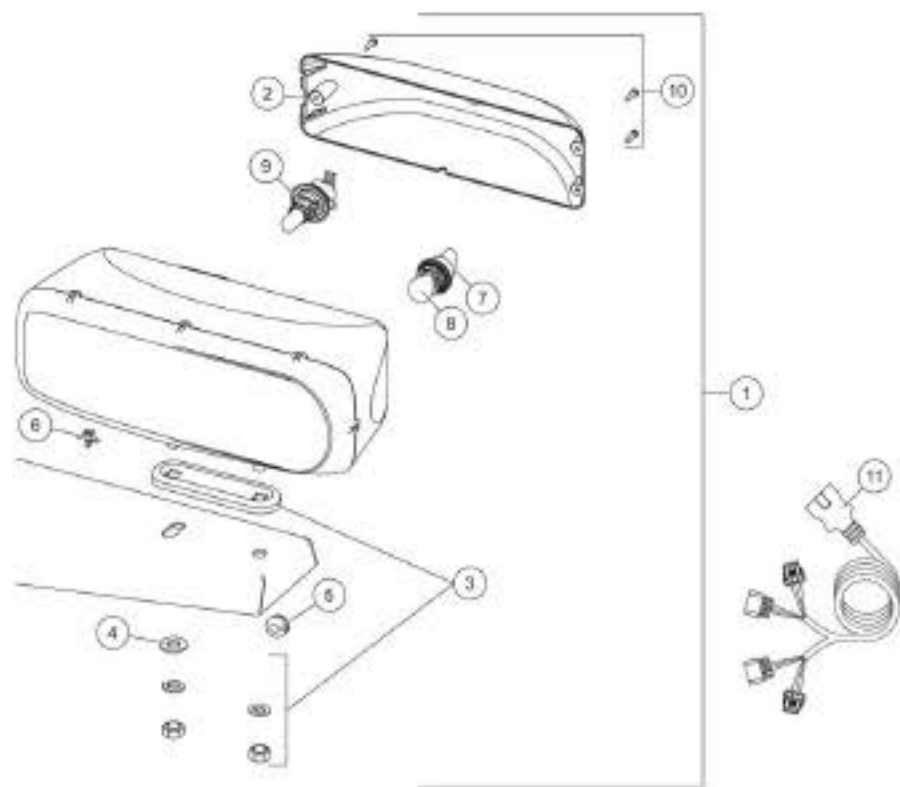
# ELECTRICAL COMPONENTS



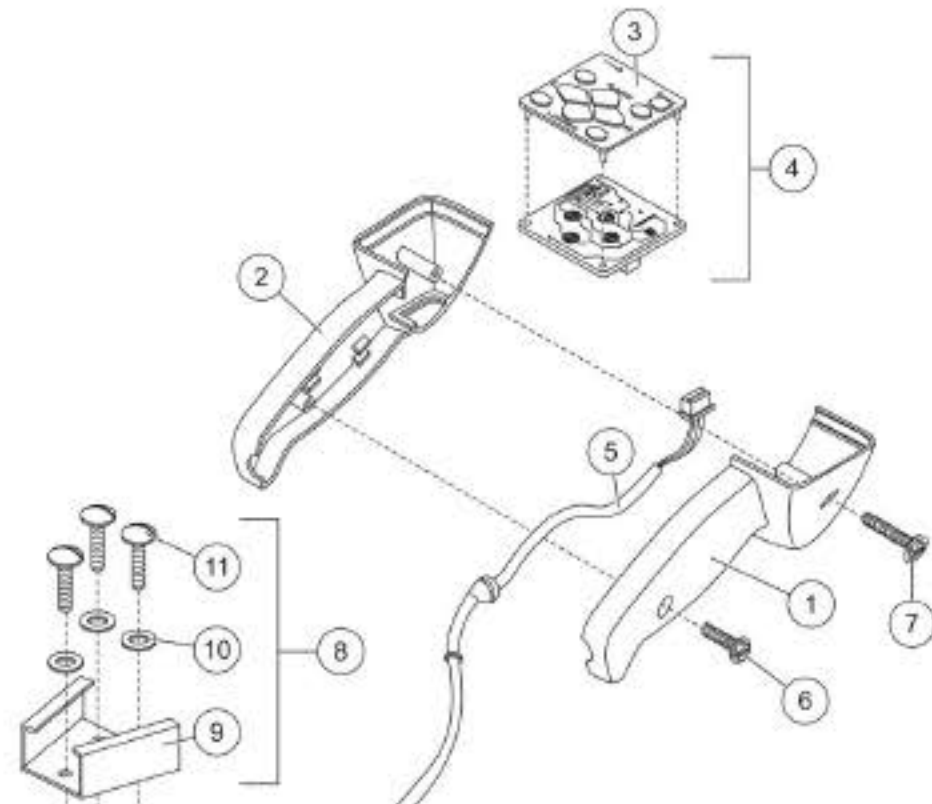
# VEHICLE-SIDE HARNESS DIAGRAM, 3-PORT, 2-PLUG



# HEADLAMP KIT



# HAND-HELD CONTROL



# JOYSTICK CONTROL

