



SNOW PLOW

STRAIGHT-BLADE
STANDARD-DUTY, SUPER-DUTY, & MUNICIPL STRAIGHT-BLADE PLOWS
PARTS EXPLOSION
2014-2015



WELDMENTS table with 3 columns: Item #, Description, Part #

BLADES (WITH CUTTING EDGES) table with 3 columns: Item #, Description, Part #

CUTTING EDGES table with 3 columns: Item #, Description, Part #

FLOW COMPONENTS table with 3 columns: Item #, Description, Part #

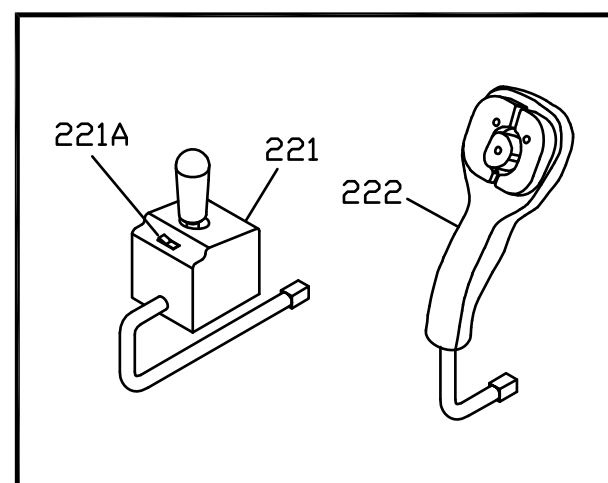
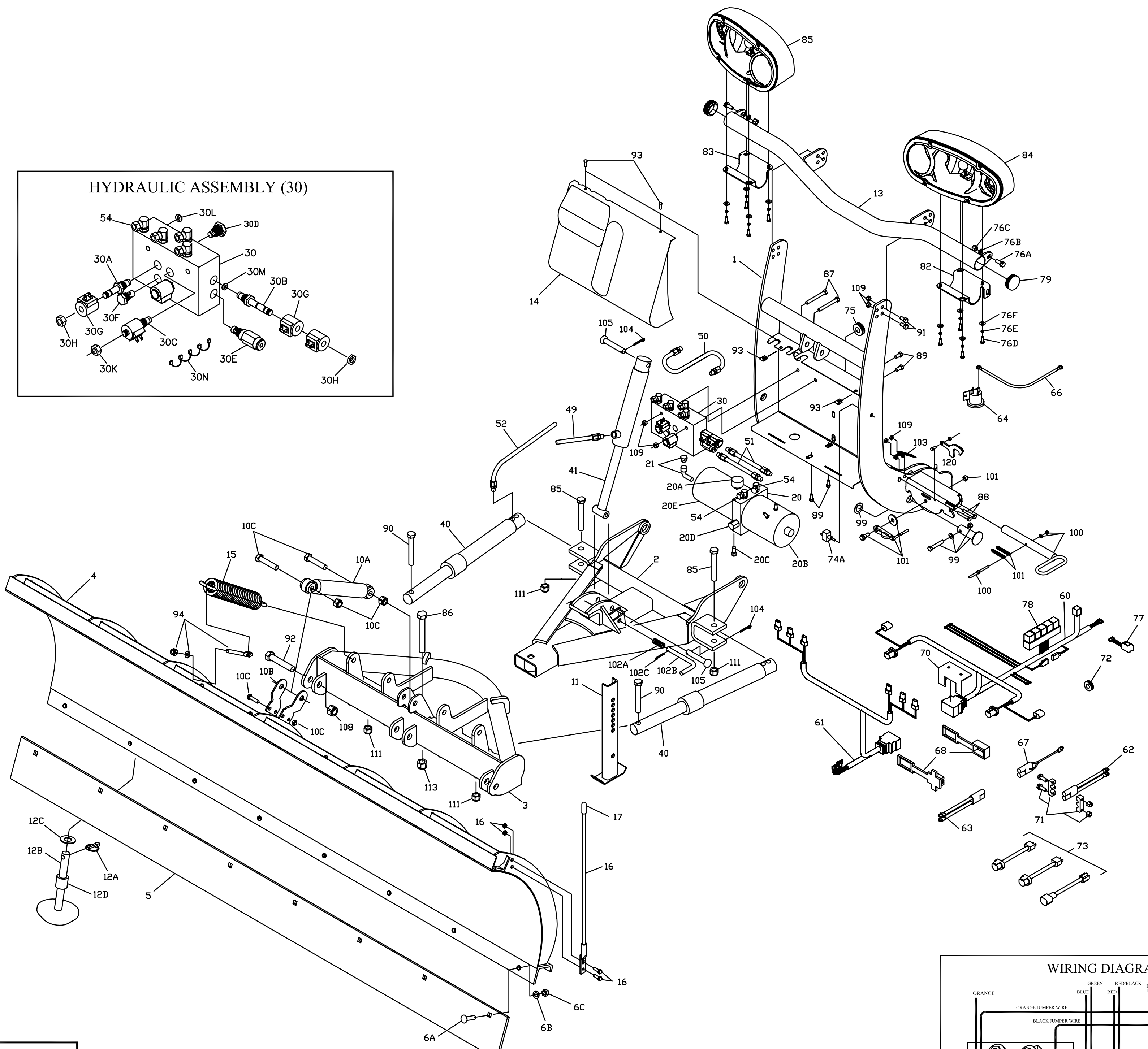
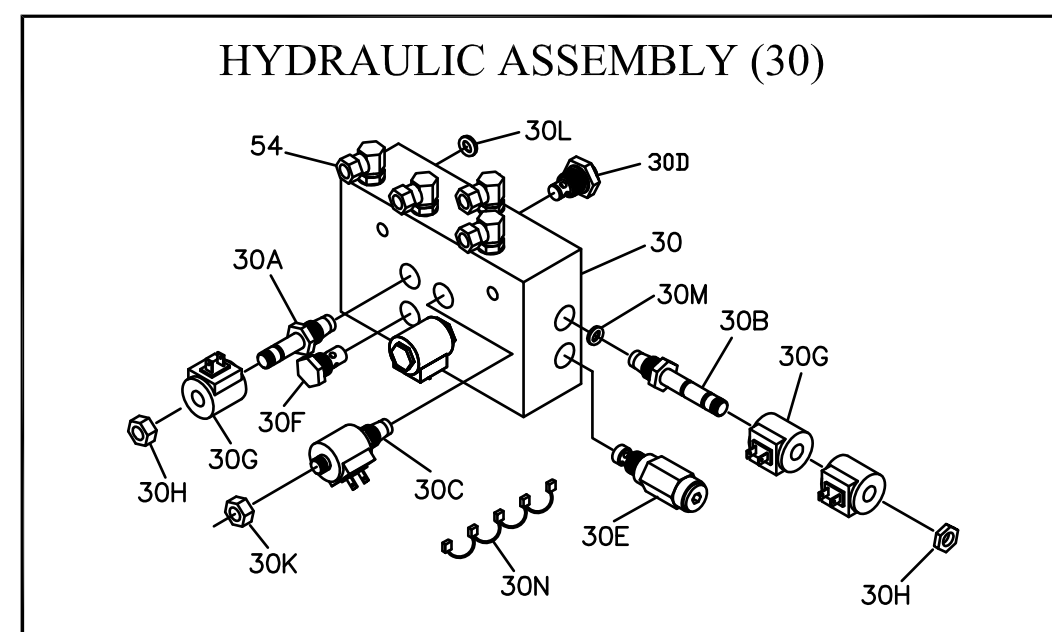
HYDRAULIC POWER UNIT table with 3 columns: Item #, Description, Part #

HYDRAULIC VALVE ASSEMBLY table with 3 columns: Item #, Description, Part #

CYLINDERS & CYLINDER SEAL KITS table with 3 columns: Item #, Description, Part #

HOSES & FITTINGS table with 3 columns: Item #, Description, Part #

OPTIONS & ACCESSORIES table with 3 columns: Item #, Description, Part #



ELECTRICAL table with 3 columns: Item #, Description, Part #

BOLTS table with 3 columns: Item #, Description, Part #

PINS, NUTS, WASHERS, & OTHER HARDWARE table with 3 columns: Item #, Description, Part #

Coupler Spring Pin Kit table with 3 columns: Item #, Description, Part #

Coupler Spring Pin Kit (10 Heavy Duty) table with 3 columns: Item #, Description, Part #

Coupler Spring Pin Kit (10 Heavy Duty) table with 3 columns: Item #, Description, Part #

Coupler Spring Pin Kit (10 Heavy Duty) table with 3 columns: Item #, Description, Part #

Coupler Spring Pin Kit (10 Heavy Duty) table with 3 columns: Item #, Description, Part #

Coupler Spring Pin Kit (10 Heavy Duty) table with 3 columns: Item #, Description, Part #

Coupler Spring Pin Kit (10 Heavy Duty) table with 3 columns: Item #, Description, Part #

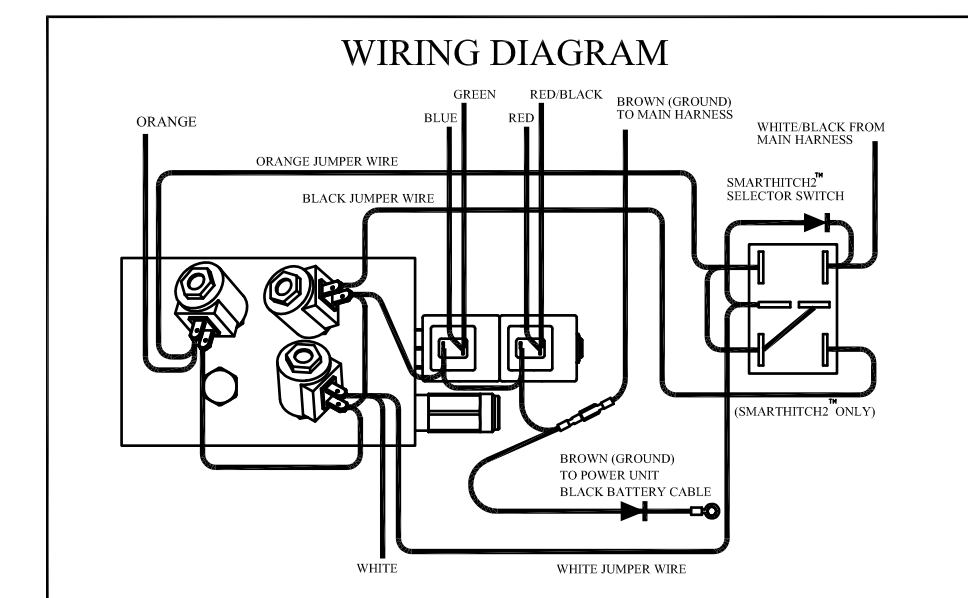
Coupler Spring Pin Kit (10 Heavy Duty) table with 3 columns: Item #, Description, Part #

Coupler Spring Pin Kit (10 Heavy Duty) table with 3 columns: Item #, Description, Part #

Coupler Spring Pin Kit (10 Heavy Duty) table with 3 columns: Item #, Description, Part #

Coupler Spring Pin Kit (10 Heavy Duty) table with 3 columns: Item #, Description, Part #

Coupler Spring Pin Kit (10 Heavy Duty) table with 3 columns: Item #, Description, Part #



BOSS Products/Northern Star Industries, Inc. reserves the right under its continuous product improvement policy to change construction or design details and furnish equipment when so altered without reference to illustrations or specifications used herein.
This product is covered under one or more of the following patents:
2,137,853 5,568,694 6,035,944 6,108,946 6,134,814 6,170,178 6,467,199 7,437,839
Other Patents Pending

SLS06039-15