



**S N O W P L O W**

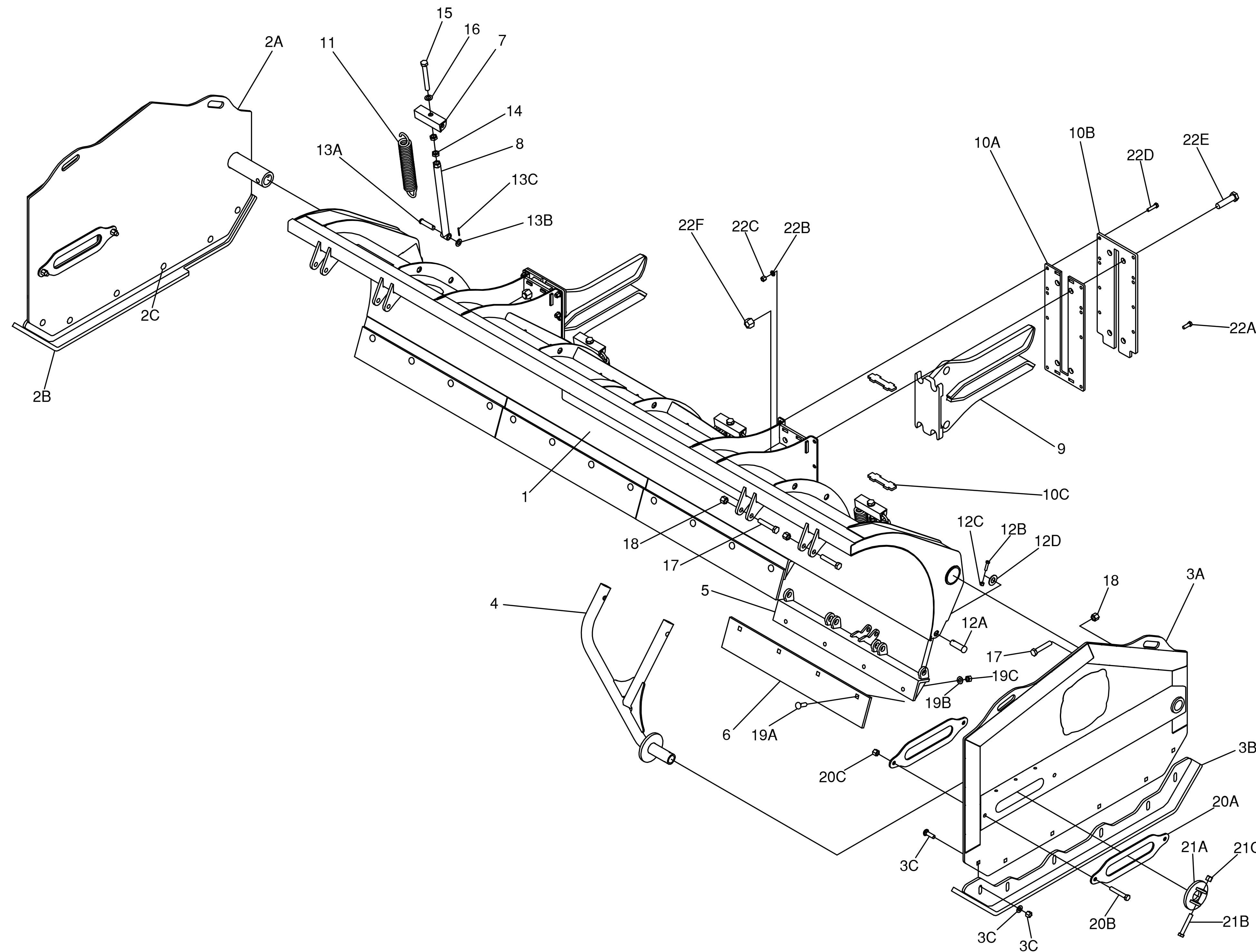
# BH12 BOX PLOW

## PARTS EXPLOSION

### 2014-2015



MAIN ASSEMBLIES		
1	Blade w/ Edges	BXP16565
2	Wing w/ Shoe, RH	BXP16750
2A	Includes: (1) Wing, RH	BXP16775
2B	(1) Shoe, RH	BXP16755
2C	(1) Shoe, Hardware Kit	HDW16538
	Includes: (6) Bolt, Carriage, 5/8"-11x2", GR5, BLK ZN	
	(6) Washer, 5/8", Flat, YZN	
	(6) Nut, 5/8"-11, Top Lock, GRB, YZN	
3	Wing w/ Shoe, LH	BXP16750
3A	Includes: (1) Wing, LH	BXP16875
3B	(1) Shoe, LH	BXP16855
3C	(1) Shoe, Hardware Kit	HDW16538
	Includes: (6) Bolt, Carriage, 5/8"-11x2", GR5, BLK ZN	
	(6) Washer, 5/8", Flat, YZN	
	(6) Nut, 5/8"-11, Top Lock, GRB, YZN	
4	Wing Brace Arm	BXP16800
BLADE COMPONENTS		
5	Base Angle	BXP16700
6	Cutting Edge	BXP16725
7	Upper T-Lever	TRP08254
8	Lower T-Lever Assembly	TRP07807
HITCH COMPONENTS		
9	Bucket Fork	BXP16910
10	Bucket Hitch Plate Kit	BXP16661
10A	Includes: (1) Lower Plate	
10B	(1) Upper Plate	
10C	(2) Spacer Plate	
BLADE HARDWARE		
11	Spring, Trip	MSC01509
12	RT3 Pivot Pin Kit	MSC04251
12A	Includes: (1) Pivot Pin 1/2"x3", YZN	
12B	(1) Hex Head Cap Screw, 3/8"-16 x 1-1/2", GR5, YZN	
12C	(1) Nut, 3/8"-16, Nylon Insert, YZN	
12D	(1) Washer, 1", YZN	
13	T-Lever Pivot Pin Kit	TRP07876
13A	Includes: (1) Clevis Pin 3/4"x3", YZN	
13B	(1) Washer, 3/4" USS Flat, YZN	
13C	(1) Cotter Pin, 1/8"x1-1/2", YZN	
14	Nut, Jam, 3/4"-10, YZN	HDW05617
15	Hex Head Cap Screw, 3/4"-10x6", Full, GR5, YZN	HDW05616
16	Washer, 3/4", Flat, YZN	HDW01722
17	Hex Head Cap Screw, 3/4"-10x4", GR5, YZN	HDW03046
18	Nut, 3/4"-10, Nylon Insert YZN	HDW03037
19	Cutting Edge Fastener Kit	BXP16663
19A	Includes: (4) Bolt, Carriage, 3/4"-10x3-1/2", GR5, BLK ZN	
19B	(4) Washer, 3/4" Flat, Hardened, YZN	
19C	(4) Nut, 3/4"-10, Top Lock YZN	
WING HARDWARE		
20	Wear Plate Kit	BXP16660
20A	Includes: (2) Wear Plate	
20B	(2) Hex Head Cap Screw, 5/8"-11x4", GR5, YZN	
20C	(2) Nut, 5/8"-11, Nylon Insert, YZN	
21	Wing Arm Bushing Kit	BXP16662
21A	Includes: (1) Wing Arm Bushing	
21B	(1) Hex Head Cap Screw, 5/8"-11x4", GR5, YZN	
21C	(1) Nut, 5/8"-11, Nylon Insert, YZN	
HITCH HARDWARE		
22	Bucket Hitch Hardware Kit	HDW16975
22A	Includes: (4) Hex Head Cap Screw, 1/2"-13x1-1/2", GR5, YZN	
22B	(20) Washer, 1/2", Flat, Hardened, YZN	
22C	(20) Nut, 1/2"-13, Nylon Insert, YZN	
22D	(16) Hex Head Cap Screw, 1/2"-13x2", GR5, YZN	
22E	(8) Hex Head Cap Screw, 1"-8x4", GR8, YZN	
22F	(8) Nut, 1"-8, Top Lock, YZN	



SLS16998-1

BOSS Products/Northern Star Industries, Inc. reserves the right under its continuous product improvement policy to change construction or design details and furnish equipment when so altered without reference to illustrations or specifications used herein.