



SNOW PLOW

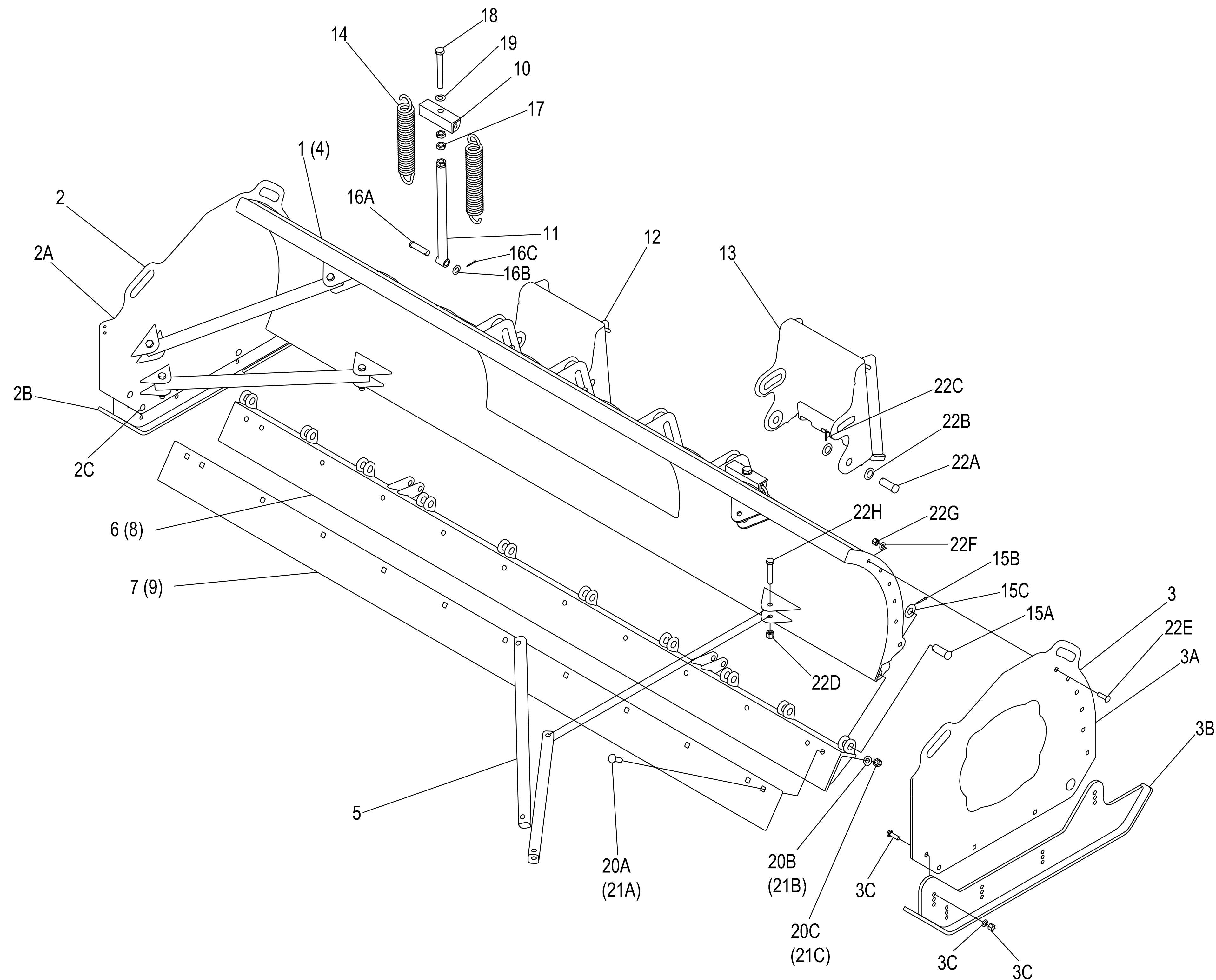
# SK8 & SK10 BOX PLOWS

## PARTS EXPLOSION

### 2014-2015



MAIN ASSEMBLIES		
1	Blade w/ Base Angle Assy, 8'	BXP16555
2	Wing w/ Shoe, RH	BXP16585
2A	Includes: (1) Wing, RH	BXP16587
2B	(1) Shoe, RH	BXP16589
2C	(1) Shoe, Hardware Kit	HDW16915
Includes: (5) Bolt, Carriage, 1/2"-13x1-3/4", GR5, BLK ZN		
(5) Washer, 1/2", Flat, YZN		
(5) Nut, 1/2"-13, Nylon Insert, YZN		
3	Wing w/ Shoe, LH	BXP16586
3A	Includes: (1) Wing, LH	BXP16588
3B	(1) Shoe, LH	BXP16590
3C	(1) Shoe, Hardware Kit	HDW16915
Includes: (5) Bolt, Carriage, 1/2"-13x1-3/4", GR5, BLK ZN		
(5) Washer, 1/2", Flat, YZN		
(5) Nut, 1/2"-13, Nylon Insert, YZN		
4	Blade w/ Base Angle Assy, 10'	BXP16556
5	Wing Brace Arm	BXP16687
BLADE COMPONENTS		
6	Base Angle Assy, 8'	TRP07811
7	Base Angle w/Strap Assy, 8' (Serial #: 187528 - 212846)	BXP16986
8	Cutting Edge, 8' x 6" x 1/2"	STB03003
9	Base Angle Assy, 10'	TRP16596
10	Base Angle w/Strap Assy, 10' (Serial #: 187528 - 212846)	BXP16987
11	Cutting Edge, 10' x 6" x 1/2"	STB07537
12	Upper T-Lever	TRP08254
13	Lower T-Lever Assembly	TRP07807
HITCH COMPONENTS		
12	Hitch Plate, RH	BXP16598
13	Hitch Plate, LH	BXP16599
HARDWARE		
14	Spring, Trip	MSC01509
15	Pivot Pin Kit, Trip Edge	TRP07879
15A	Includes: (8) Clevis Pin 1"x2-1/2", YZN	
15B	(8) Cotter Pin, 3/16"x1-1/2", YZN	
15C	(8) Washer, 1", YZN	
16	T-Lever Pivot Pin Kit	TRP07876
16A	Includes: (1) Clevis Pin, 3/4"x3", YZN	
16B	(1) Washer, 3/4" Flat, YZN	
16C	(1) Cotter Pin, 1/8"x1-1/2", YZN	
17	Nut, Jam, 3/4"-10, YZN	HDW05617
18	Hex Head Cap Screw, 3/4"-10x6", Full, GR5, YZN	HDW05616
19	Washer, 3/4", Flat, YZN	HDW01722
20	Cutting Edge Fastener Kit, 8'	BAX00034
20A	Includes: (10) Bolt, Carriage, 1/2"-13x1-3/4", GR5, BLK ZN	
20B	(10) Washer, 1/2" Flat, Hardened, YZN	
20C	(10) Nut, 1/2"-13, Top Lock, YZN	
21	Cutting Edge Fastener Kit, 10'	BAX00096
21A	Includes: (10) Bolt, Carriage, 5/8"-11x2", GR5, BLK ZN	
21B	(10) Washer, 5/8" Flat, Hardened, YZN	
21C	(10) Nut, 5/8"-11, Top Lock, YZN	
22	Hardware Kit, Skid Steer, Box Plow	HDW16976
22A	Includes: (8) Clevis Pin, 1"x2-1/2", YZN	
22B	(16) Washer, 1.06"x1.75" Flat, YZN	
22C	(8) Cotter Pin, 3/16"x1-1/2", YZN	
22D	(8) Nut, 3/8"-11, Nylon Insert, YZN	
22E	(10) Bolt, Carriage, 1/2"-13x1-3/4", GR5, BLK ZN	
22F	(10) Washer, 1/2" Flat, Hardened, YZN	
22G	(8) Nut, 1/2"-13, Nylon Insert, YZN	
22H	(8) Hex Head Cap Screw, 5/8"-11x3", GR5, YZN	



SLS16699-3

BOSS Products/Northern Star Industries, Inc. reserves the right under its continuous product improvement policy to change construction or design details and furnish equipment when so altered without reference to illustrations or specifications used herein.