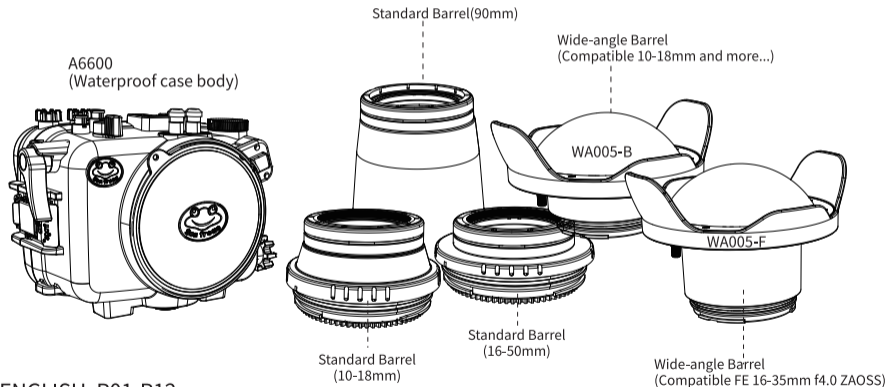


# For Sony $\alpha$ 6600

## Operation manual of camera waterproof case



- ENGLISH: P01-P12
- 简体中文: P14-P28

# Catalog

---

Introduction.....	P01
Points for attention.....	P01
Packaging list .....	P02
Part name .....	P03
Installation and replacement of lens barrel .....	P04
Open the waterproof case.....	P05
Waterproof test.....	P06
Preparation.....	P07~08
Installation of Pistol Grip.....	P09
Maintenance and maintenance.....	P10~11
Storing.....	P12
Specifications.....	P13

# Introduction

---

- Thank you for choosing this product! Please read the manual carefully before using the product  
Please keep the manual for reference.
- The manual takes the 10-18mm waterproof case set as the reference legend.
- The company will not be responsible for property loss or accident caused by wrong operation .

## Points for attention

---

- When using the waterproof case for the first time or replacing the lens port or O-ring, please make sure to conduct the waterproof test of the empty case before loading the camera
- Do not carry this product into the water from a high place, for the strong impact may cause the case to seep into water or damage the camera;
- If the temperature difference is large in a short time, the inner surface of the waterproof case may be dewed (small water drops). In case of condensation, please take out the camera from the diving shell and wipe off the water drops on the waterproof case and the camera with a soft dry cloth, and use it after the water vapor has completely evaporated;
- Do not damage the waterproof O-ring, or dust and dirt are accumulated between the waterproof O-ring and the waterproof case to avoid water leakage;
- Do not use the waterproof case in the water whose water temperature is lower than 0 °C and higher than 40 °C or more than 40 meters of water depth;
- In very hot and humid places, do not put the waterproof case in direct sunlight for a long time;
- In case of water seepage (the water leakage alarm lamp in the waterproof case flashes), stop using the waterproof case and water source immediately, and take out the camera to prevent the camera and waterproof case from failure

# Packaging list

---

Waterproof camera case *1	Dust free cleaning cloth*1	O-ring Disassembly plate*1
O-ring ( back case ) *1	Instructions*1	Coin type dismantling piece*1
O-ring(lens port ) *1	Waterproof Silicone grease *1	Hand rope *1
O-ring (Vacuum pump interface) *1	Antifogging film*1	Heck rope*1
O-ring (vacuum pump interface cover) *1	Body dust cover*1	

## **The following parts are delivered according to the purchased lens port**

\*10-18mm standard lens port+ lens wheel + dust cover

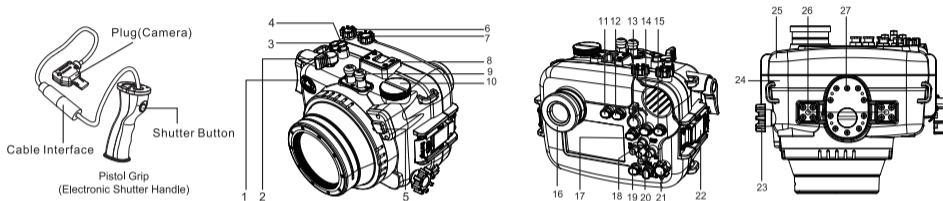
\*16-50mm standard lens port+ lens wheel + dust cover

\*90mm standard lens port+ lens wheel + dust cover

\*Fit Wide angle lens WA005-B

\*Fit Wide angle lens WA005-F

# Part name

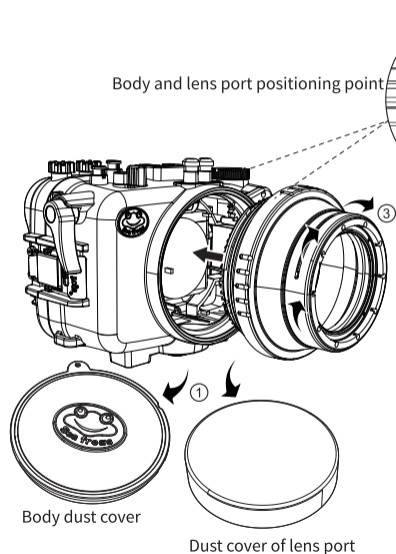


- 1、Shutter button
- 2、Turn on / off
- 3、Custom button<C1>
- 4、Custom button<C2>
- 5、Lens port release button
- 6、Control turntable
- 7、Mode dial
- 8、Cold boot stand
- 9、Fiber optic trigger interface \* 2

- 10、Vacuum system interface
- 11、Menu button<MENU>
- 12、Custom button<C3>
- 13、<AF/MF><AEL>
- 14、<@> button
- 15、Short film shooting button<●>
- 16、Viewfinder
- 17、Function button < Fn >
- 18、Set buttons<⬆️⬇️⬇️⬆️>

- 19、Play button<▶>
- 20、Delete button <🗑️>
- 21、Control dial
- 22、Safety lock
- 23、Focusing knob
- 24、Front case
- 25、Back case
- 26、1 / 4 " - 20 screw hole
- 27、Handle interface

# Installation and replacement of lens barrel



## ● Installation of lens port

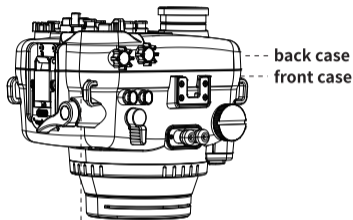
- 1) Select the required lens port and remove the body and dust cover of lens port;
- 2) Check the groove and O-ring of the interface between the camera body and lens port to ensure that there is no damage and debris attached. Take out the O-ring of the lens port and add a little waterproof silicone oil. For the method refer to pages 10-11, and then install the groove
- 3) Align the positioning point of the lens port with the positioning point of the body push it in forcefully, and then turn the lens port clockwise until the sound of "click" is heard

## ● Removal of lens barrel

Press and hold the lens port clockwise to release the lens port

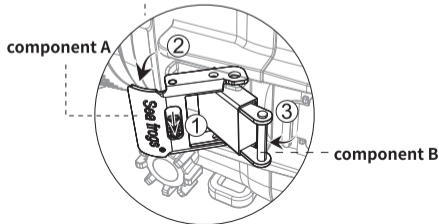
# Open the waterproof case

\*This product is a separate structure of front and back case. It is recommended that the lens of the product face down and be placed on the plane for operation.



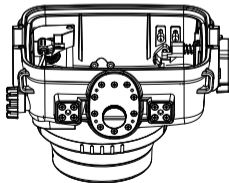
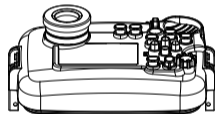
back case  
front case

- 1) Push down the red push button and keep it
- 2) Buckle part A outward;
- 3) Buckle part B outward;
- 4) After the left and right safety locks are opened, remove the back case and open it



component A

component B

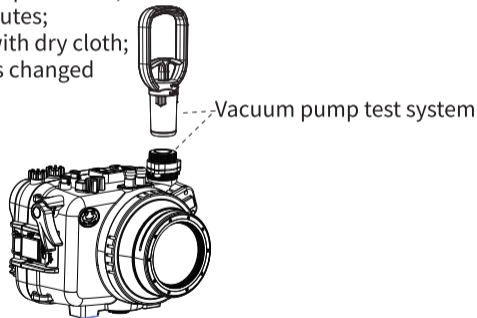


# Waterproof test

---

- General test

- 1)Open the waterproof case and check whether the O-ring is damaged or foreign matters are attached. If so, please clean it or replace it with a new O-ring;
- 2)Put in a dry paper towel, close and lock the waterproof case, and then immerse the waterproof case in water for about 15-20 minutes;
- 3)Take out the waterproof case and dry the case with dry cloth;
- 4)Open the waterproof case to see if the tissue has changed



- Vacuum pump system test

If you buy the vp-100 series vacuum pump system, you can use this device for quick waterproof test

\*Please refer to the manual of vacuum pump system for detailed steps



## preparation

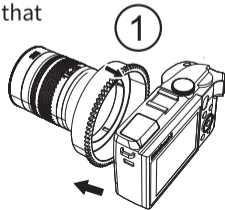
---

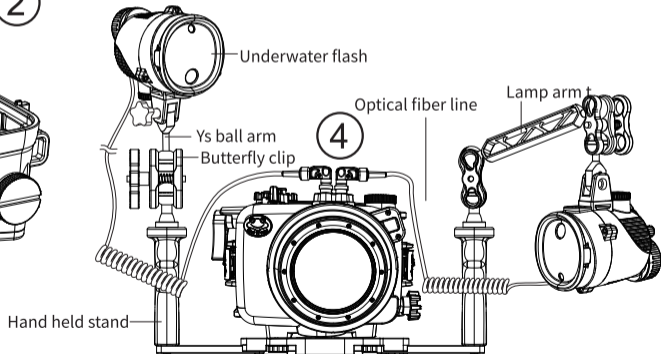
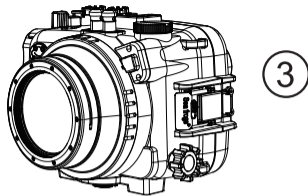
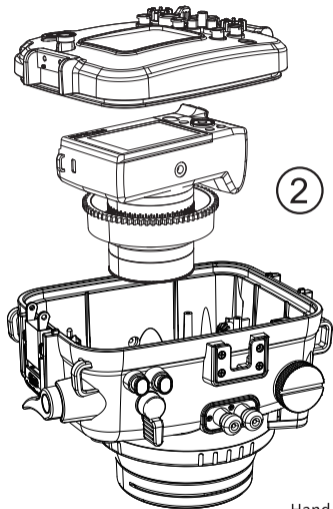
- 1) Transfer your important photos and files from camera to computer;
- 2) Adjust the camera and configure the parameters suitable for underwater shooting;
- 3) Install a fully charged battery, insert the memory card and ensure that there is enough space in the memory card for recording images;
- 4) Remove the wrist strap from the camera;
- 5) Install the appropriate lens (all types of filters or shields need to be removed). This product supports manual focusing. If you need to use it, please set the camera to manual focus mode

## Camera installation and use

---

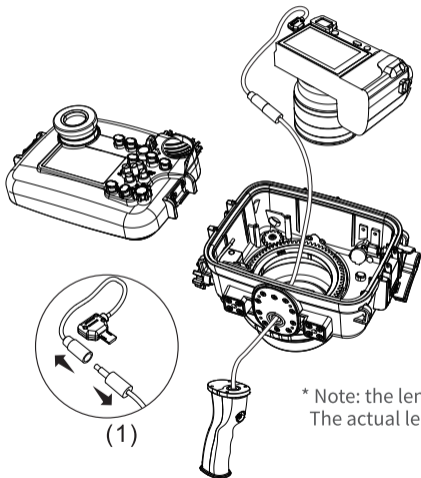
- 1) Remove the lens, put it into the lens wheel, and then install the lens back into the camera
- 2) Open the waterproof case, put the camera in carefully, and then close and lock the waterproof case ;
- 3) Repeatedly operate the buttons and dials on the waterproof case to ensure that the internal functions of the camera are normal;
- 4) This product is equipped with two 1 / 4 "- 20 interfaces, and supports fiber-optic lighting. It can be installed on professional diving photography support.





# Installation of Pistol Grip

If you need to use the pistol grip, please follow the steps below to install:



- 1) Separate the shutter handle cable into two parts
- 2) Unscrew the protective cover of the wire hole of the waterproof case and pass the line at the end of the handle through the wire hole;
- 3) Rejoining two segments of handle cable;
- 4) Insert the USB port into the corresponding interface of the camera
- 5) Fix the handle to the waterproof case with attached screw and hexagonal spoon.

\* Note: the length of cable in this picture is only for installation reference. The actual length is subject to the material object.

# Maintenance and maintenance


---

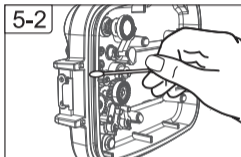
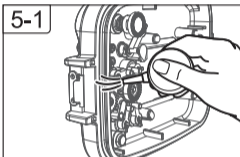
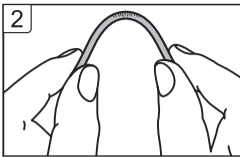
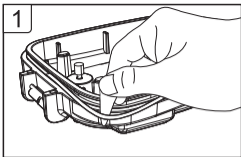
Please check the O-ring part of the main body of the waterproof case before launching. If the O-ring is stained with foreign matters, it can be taken out separately and cleaned with clean water, and then dried with a soft cloth without chips. After cleaning, the O-ring needs to add lubricating silicone oil. Refer to the following steps for operation:



O-ring remover

- 1) Take out the O-ring with the attached O-ring disassembly piece;
- 2) Check whether there are foreign matters attached to the O-ring. If the O-ring is attached with debris, clean it with clean water. If the O-ring is damaged, O-ring removal plate. Please replace the O-ring immediately;
- 3) After cleaning, the O-ring needs to be re-lubricated with silicone oil. Take a clean plastic bag, put the O-ring to be lubricated, and then squeeze it in;
- 4) Pinch the plastic bag with your fingers to make the silicone oil evenly distributed to the O-ring;
- 5) Carefully check the flash O-ring groove. If there are any foreign matters in the groove, please use clean cotton-free soft cloth or special cotton swab with blowing balloon to remove, and then put the lubricated O-ring back into the groove.

 **Mark :** do not remove the O-ring by force or use sharp and hard metal objects, or the O-ring or waterproof groove may be damaged



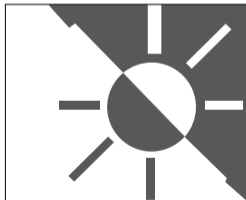
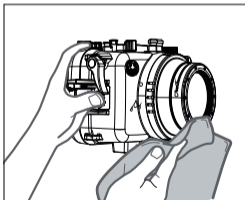
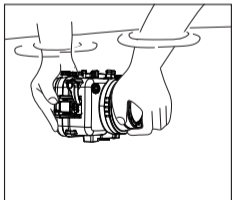
### Maintenance precautions

- Please maintain in dry and bright area;
- Only use original brand spare O-ring and silicone oil;
- When installing the O-ring back into the groove of the waterproof shell pay attention to the smoothness of the O-ring and the groove without distortion;
- Check the O-ring and groove again after installation to ensure that there is no debris attached;
- In order to ensure the waterproof performance of the product, it is recommended to replace the main O-ring once a year;
- After using the waterproof shell for 1 year or 200 times, it is recommended to send the product back to the distributor or manufacturer for professional maintenance>(\*Note: this may be costs )

# Storing

---

- After each diving, please take out the camera, close the locking waterproof case and soak it in fresh water for 15-30 minutes. During this period, operate all buttons and knobs several times to avoid salt residue accumulation. Clean and dry the waterproof case with a clean soft cloth.
- Store the waterproof case in a dry and ventilated environment without direct sunlight;
- Do not store in high temperature, cold and humid places, or near naphthalene chemicals or insecticides;
- Do not use waterproof case for a long time. It is recommended to remove the main O-ring and put it in plastic bag for separate storage .



# Specifications

---

Waterproof depth :40meter/ 130ft

Compatible lens: (1)E 10-18mm F4 OSS APS-C

(2)DT 16-50mm F2.8 SSM APS-C

(3)FE 90mm F2.8 G OSS

(4)FE 16-35mm F4 SEL 1635Z

Waterproof structure: O-ring seal

Material: PC, optical glass, stainless steel, silicone rubber

Size: 170\*192\*144mm(10-18mm)/192\*233\*144mm(90mm)/152\*192\*144mm(16-50mm)

219\*216\*204mm(WA005-B)/253\*219\*204mm(WA005-F)

Weight: 11140g(10-18mm)/1110g(16-50mm)/1250g(90mm)

/1350g(WA005-B)/1580g(WA005-F)

Service temperature :0-40°C (32-104°F)