



## 4039 – 2013-PRESENT, FORD TRANSIT, FRONT TOW POINT

Version 1.0

### General Notes

- For the most up to date and current instructions, please visit our website at [www.vancompass.com](http://www.vancompass.com)
- Please read all instructions thoroughly before starting installing Van Compass products.
- This is a bolt on front bumper tow point that can be installed with simple hand tools and some basic metal cutting tools.
- This tow point can be installed on the driver or passenger side of the vehicle.
- **DISCLAIMER; when using this tow point, always try to pull on it as straight as possible. Side loading this tow point with a heavy force can compromise both chassis strength and / or the tow point itself.**
- This tow point features a hook mounting point for a loop style strap or can be used in conjunction with a 7/8" D-Ring Shackle.

### Parts List

#### 4039 – 2013-PRESENT, FORD TRANSIT, FRONT TOW POINT

- (1) 403901 FORD TRANSIT, FRONT TOW POINT
- (1) 403901-04-L FORD TRANSIT, FRONT TOW POINT, BUMPER TIE IN BRACKET, DRIVER SIDE
- (1) 403901-04-R FORD TRANSIT, FRONT TOW POINT, BUMPER TIE IN BRACKET, PASSENGER SIDE
- (1) 403902-01 FORD TRANSIT, FRONT TOW POINT, TRIM RING
- (2) HC8-4-10 HEX HEAD BOLT, ¼-20 X 1.0" LONG, GR8
- (2) HC8-4-03 HEX HEAD BOLT, ¼-20 X ¾" LONG, GR8
- (4) NFC-4 FLANGE NUT, ¼-20, CLEAR ZINC
- (3) WF8-4 FLAT WASHER, ¼"
- (1) WD8-4 FENDER WASHER, ¼"
- (4) NSM10-1.50 TOP LOCK NUT, M10-1.50
- (4) WF-M10 FLAT WASHER, M10

### Tools Needed

- Measuring tape
- Combination Square / ruler
- Metal cutting tool
  - Sawzall with metal cutting blade.
  - 4-1/2" angle grinder with metal cutting disc and sanding disc.
  - 3" pneumatic cut off tool.

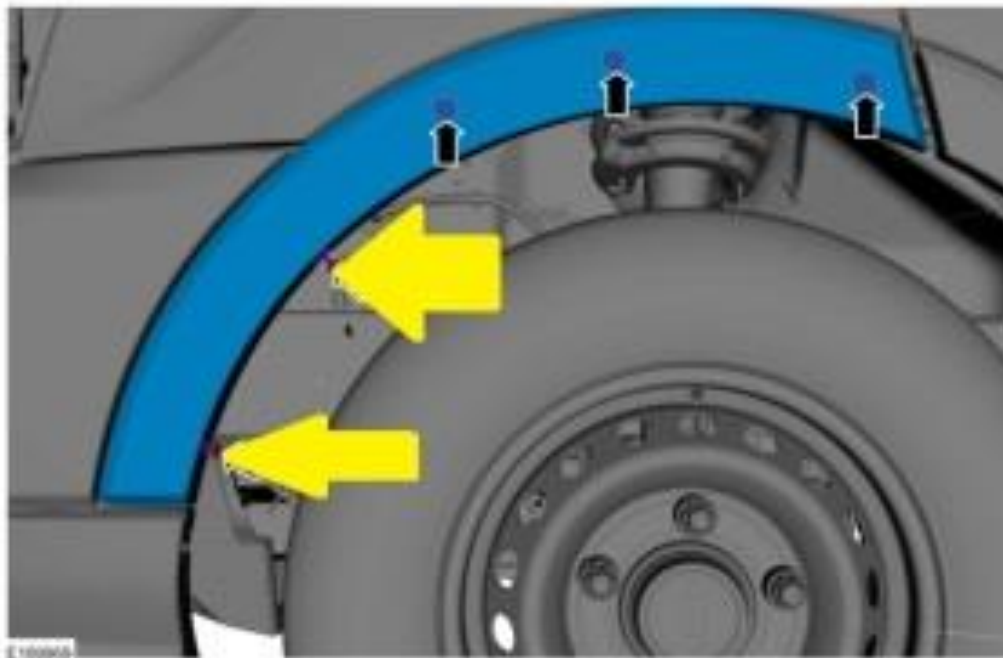
- Automotive trim removal tools
- Simple hand tools:
  - Basic wrench and socket set:
    - SAE sizes: 7/16"
    - Metric Sizes: 8mm, 10mm, 13mm, 17mm
    - Torx sizes: T-30

### Approximate Installation Time

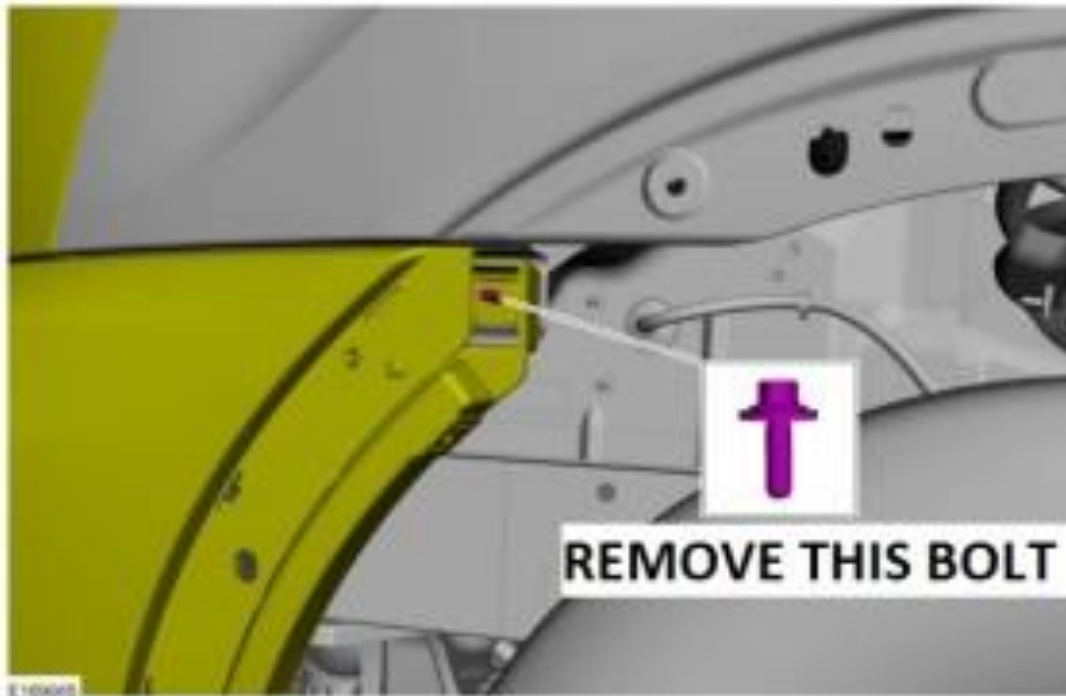
- 3-4 hours

### Installation

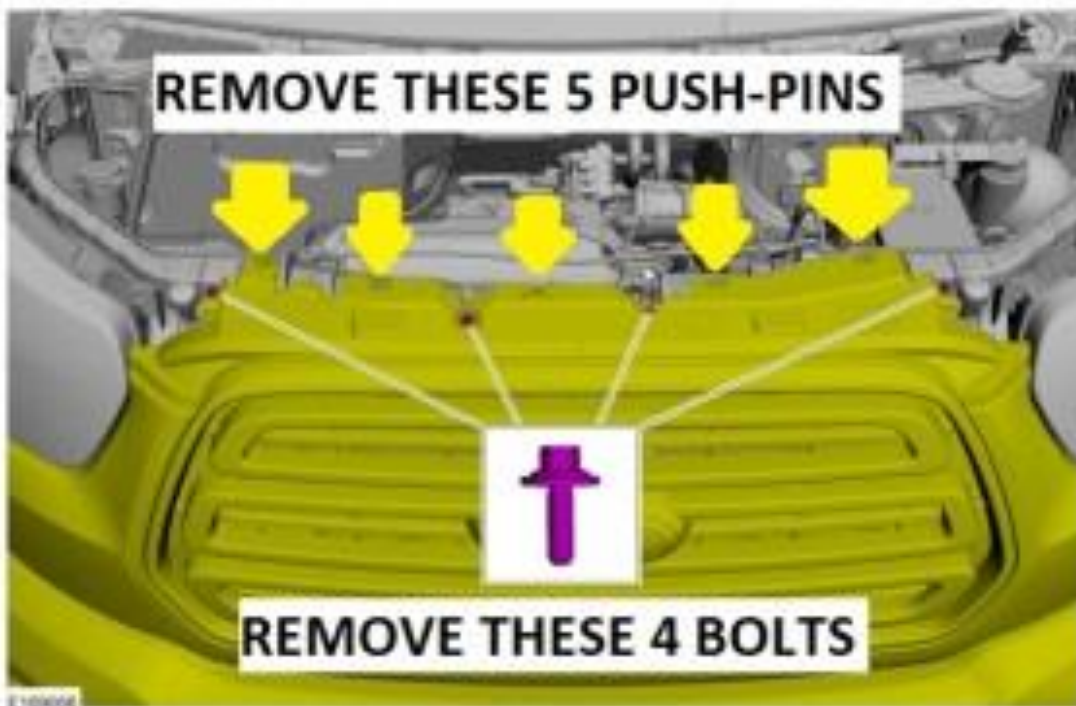
- 1) The tow point can be installed on the driver (left hand) or passenger (right hand) side of the vehicle. The following instructions will cover installation on the driver (left hand) side of the vehicle. Installation on the passenger side is the same, just mirrored.
- 2) Note; Retain all OEM hardware removed as it will be re-installed during re-assembly.
- 3) Begin by removing the front fender trim piece on both sides of the vehicle. Remove the two pull pins towards the front of the wheel well using an automotive trim removal tool under the head of the pin. Denoted by the yellow arrows in the image below.



- 4) Using the above image as a reference, try to locate and pry free the three remaining push pins securing the fender trim to the fender denoted by the black arrows above.
  - a. Note, these pins will likely break. Included in your tow point kit are replacement pins if needed.
- 5) Begin removing the front bumper cover by locating the two screws at the inside of the fender well where the fender and bumper meet. Use an 10mm socket / wrench for removal. Remove the bolt on both sides of the vehicle.

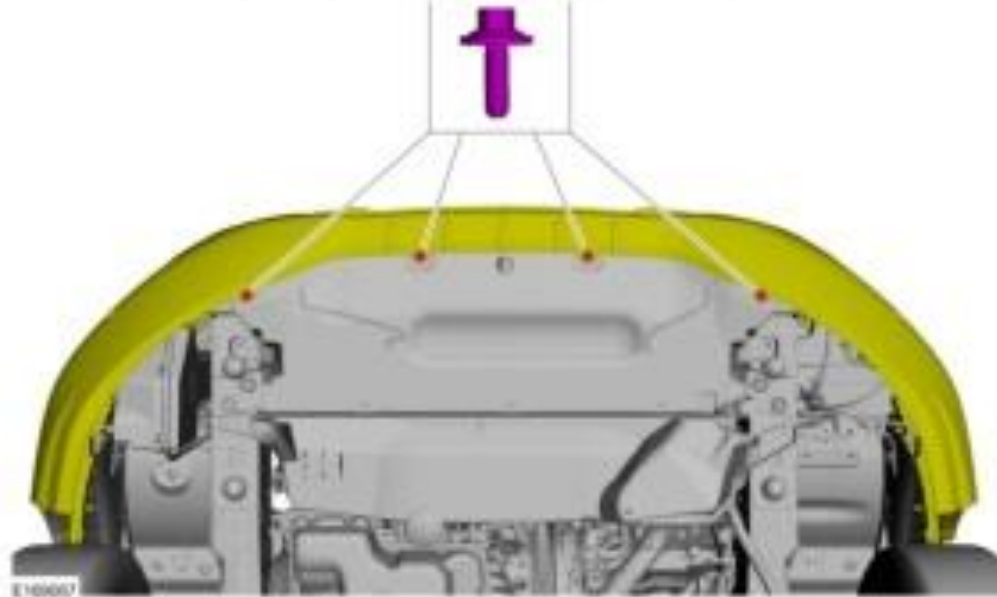


- 6) Open the hood of the vehicle and locate the 4 bolts securing the top portion of the grill to the core support of the vehicle. Remove all 4 bolts using a 10mm socket / wrench.
  - a. Once all 4 bolts have been removed, locate and remove the 5 push-pin fasteners securing the grill to the core support using an automotive trim removal tool.

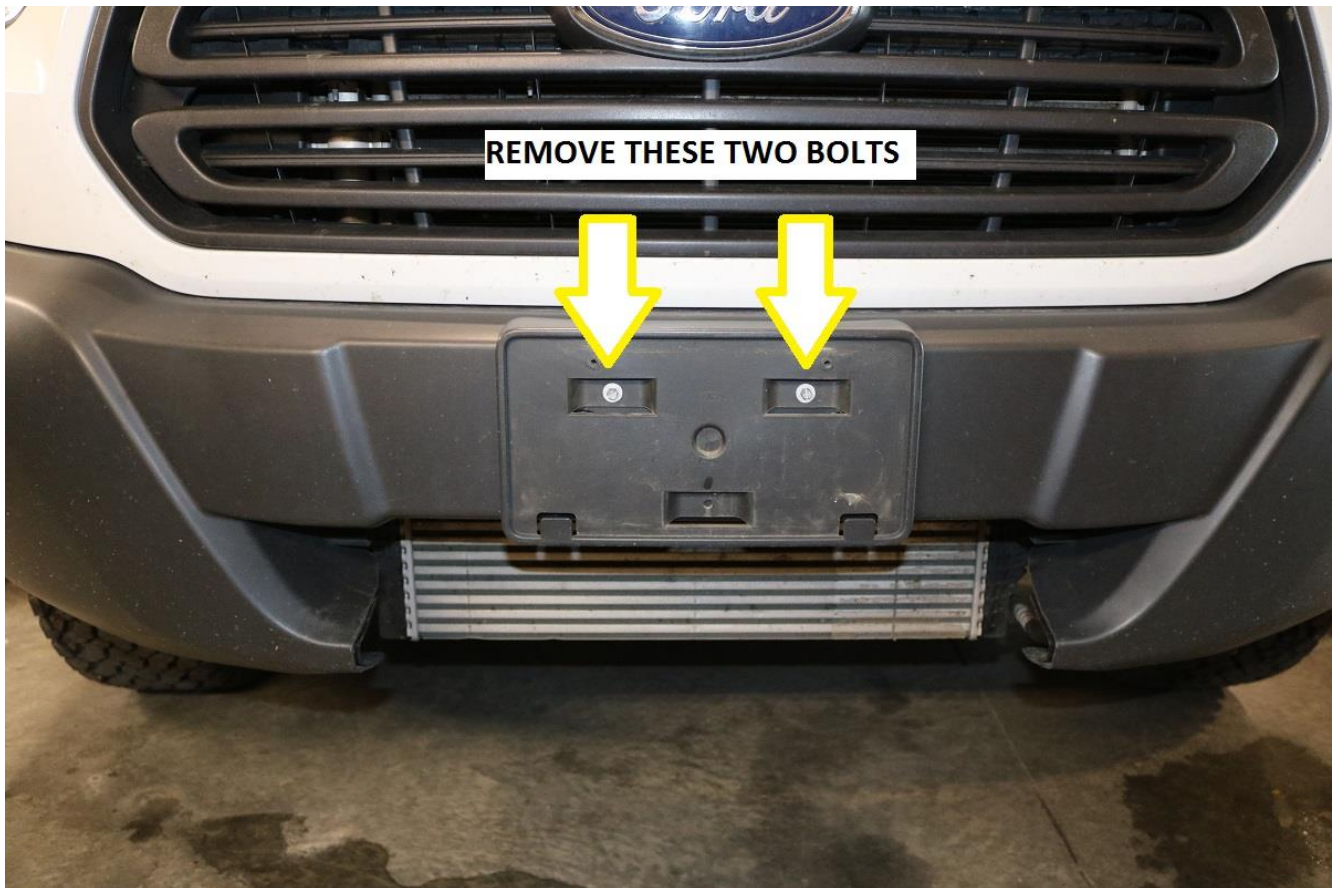


- 7) On the underside of the bumper, locate the 4 bolts securing the front bumper cover to the lower air damn. Remove these 4 bolts using a 10mm socket / wrench.

**REMOVE THESE 4 BOLTS**

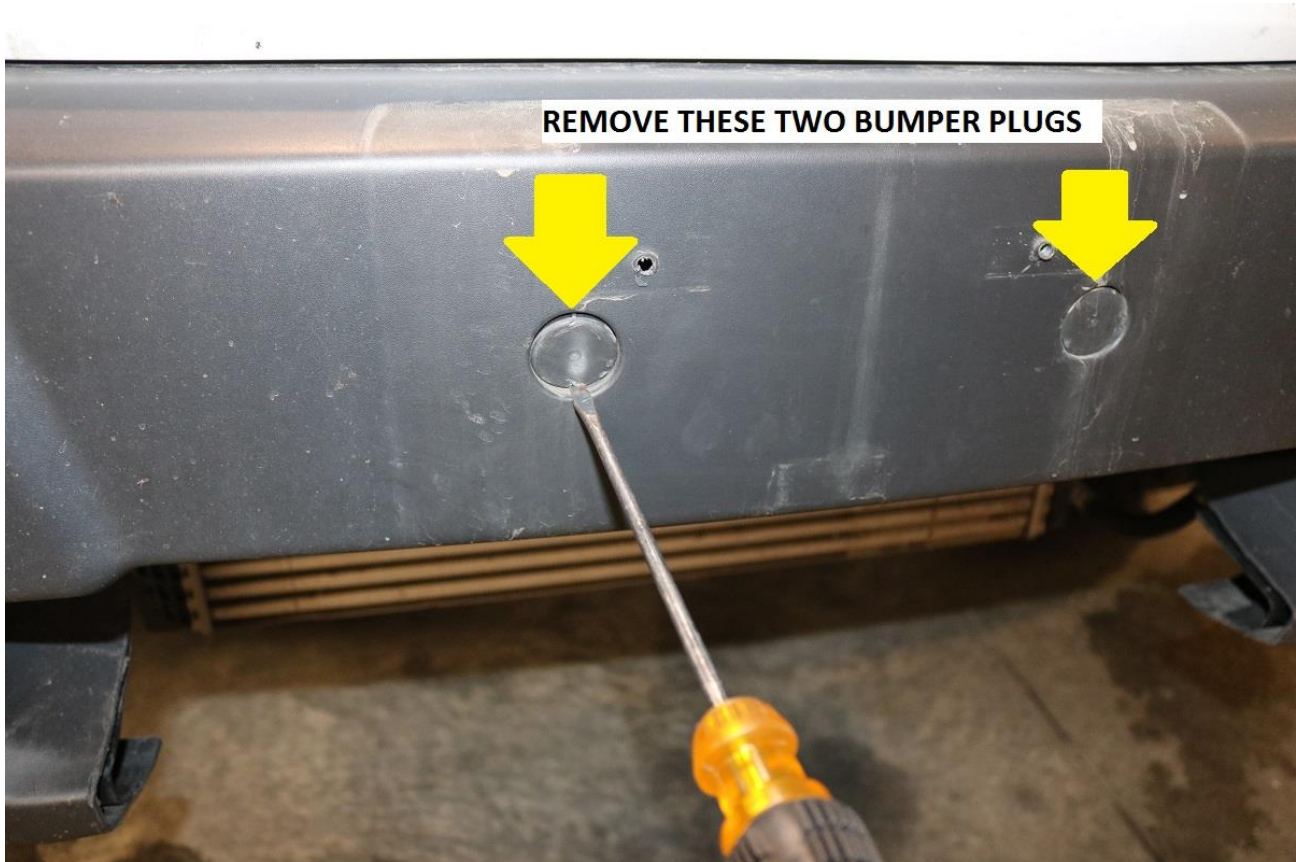


- 8) Next, remove the front license plate mount if equipped. On this vehicle, the license plate mount was secured with two 5/16" bolts.



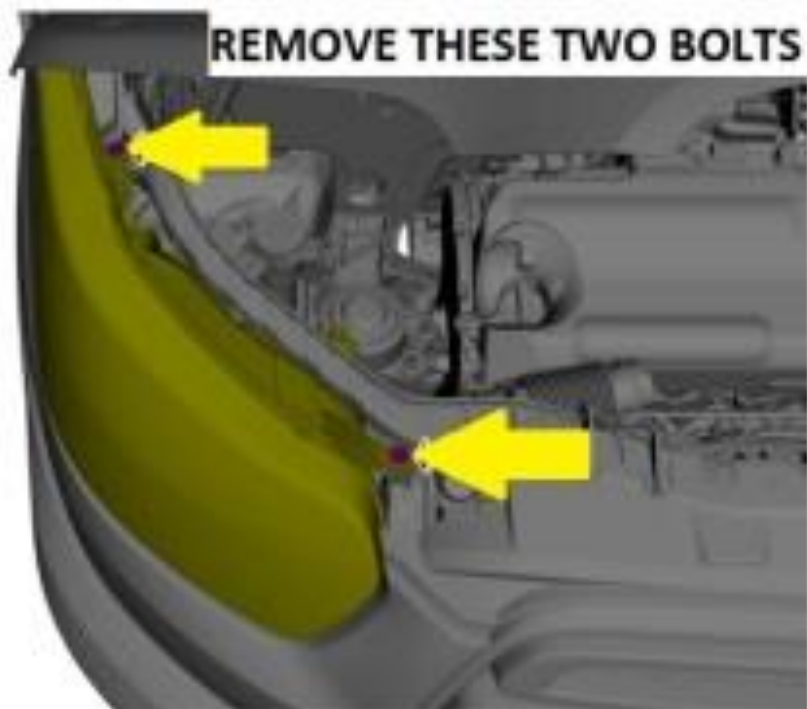
- 9) Remove the two bumper plugs using a small flat blade screwdriver.



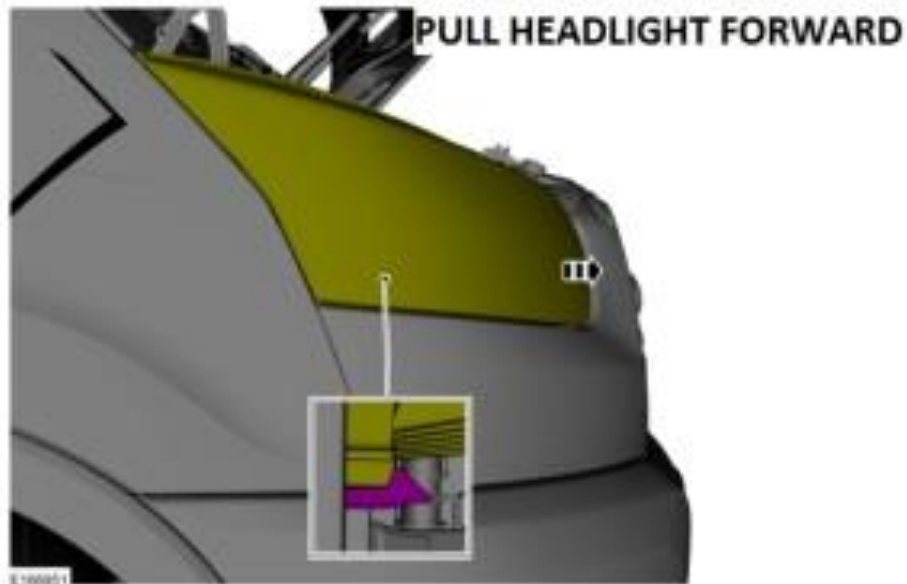


10) Remove the two bolts behind the bumper plugs. Use a 13mm socket / wrench for removal.

11) In the engine compartment, locate the two torx bolts securing the headlight housings to the vehicle. Use a T-30 torx bit for removal.



12) Pull the headlight forward and free it from the clips securing it to the vehicle. Once the headlight is free from its mounting clips, undo the three electrical connectors and completely remove the headlight housing from the vehicle.



- 13) Locate the two T-25 torx screws under the headlight housing mounting location where the front bumper cover meets the fender. Remove both screws on each side of the vehicle.
- Once the torx screws are removed, pull the black plastic clip brackets which sandwich the bumper cover to the front fenders.
  - Pull the front bumper corners outwards to separate the retention clips securing the sides of the bumper cover to the fenders.
  - See image below for reference.

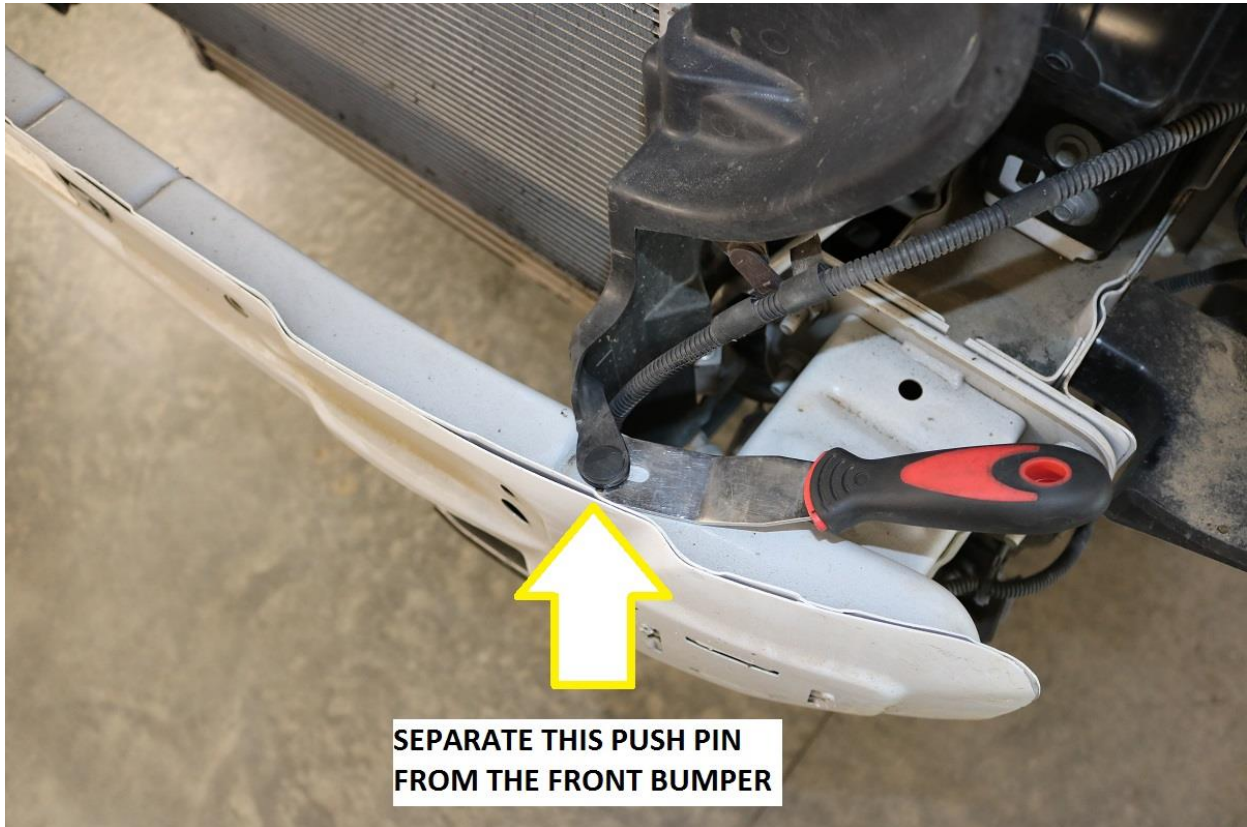


- 14) The last step in front bumper cover removal is to locate the 2 tabs along the top of the grill which secure the bumper cover / grill assembly to the core support. Use a large flat blade screw driver to pry the tabs free from the core support.
- Note the two bulges in the top of the grill; this is where the tabs are located.
  - Reference the photo below for the locations of the 2 tabs.



- 15) Remove the front bumper / grill assembly from the vehicle.
- 16) Separate the push pin clip securing the plastic front trim connected to the front bumper using an automotive trim removal tool as shown below.



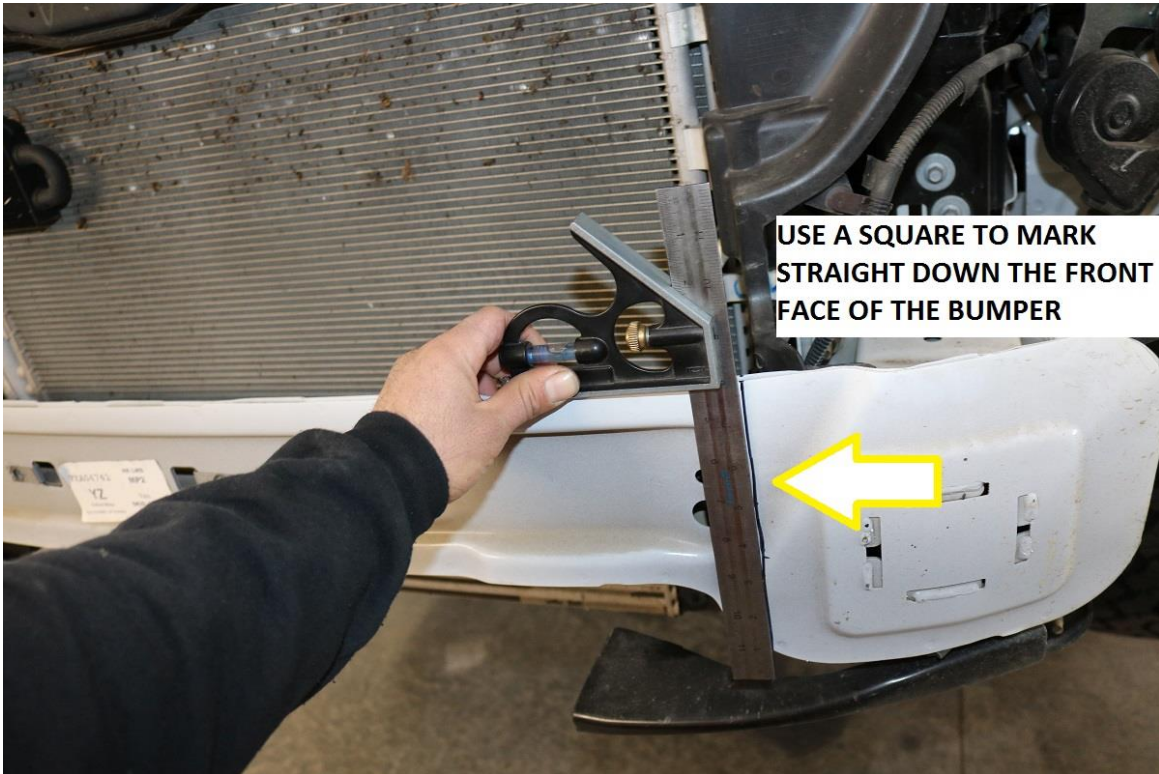


- 17) Locate the groove / depression on the top side of the front bumper towards the outer edge of the bumper.
- a. Mark a line in the middle of this groove and continue it up to the top edge of the bumper.

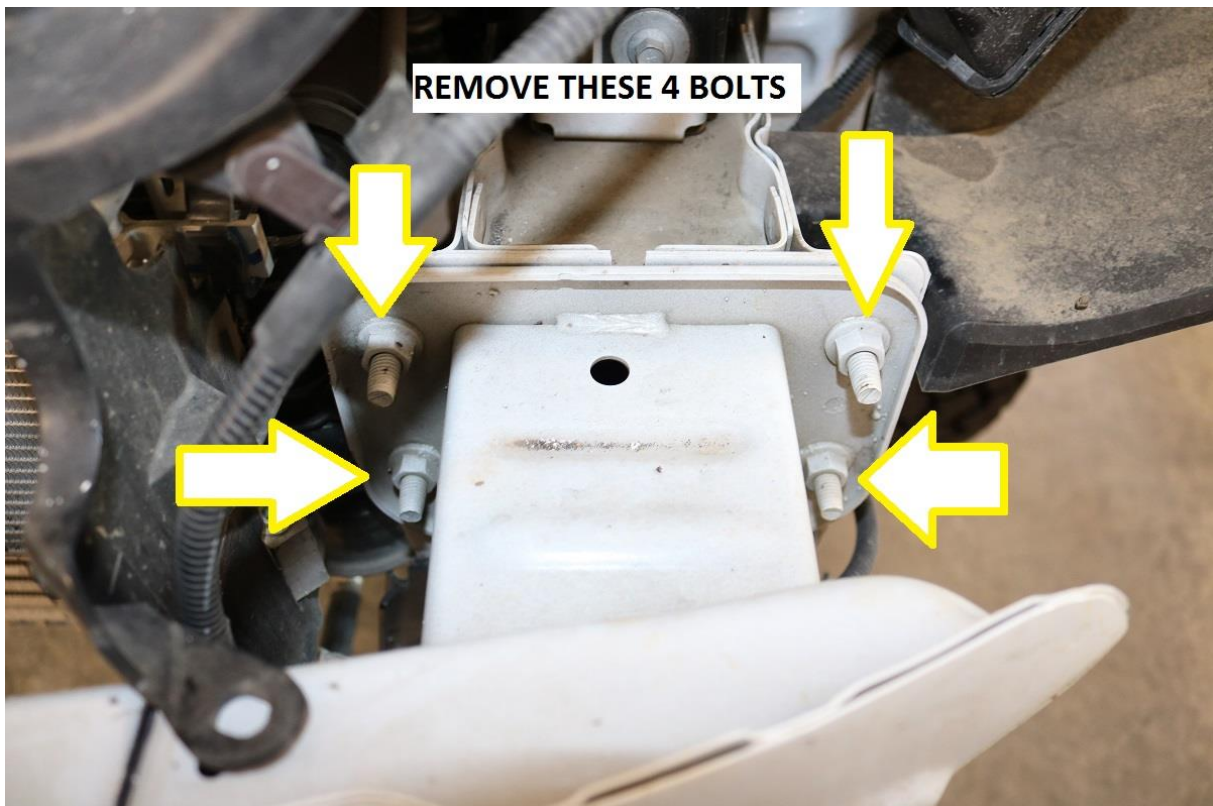


- 18) Continue the cut line by using a square to mark the line straight down the face of the front bumper.





- 19) Cut down the face of the bumper. We prefer using a sawzall with a quality metal cutting saw blade approximately 6" in length. Take care to move any wiring or plastic trim pieces out of the way as to not damage them while cutting the bumper.
- 20) Once the cut has been made, use a 13mm socket / wrench and remove the 4 bolts securing the front bumper to the chassis.
  - a. Note, a long extension (9-12") is helpful in reaching the inner bolts.
  - b. Retain these mounting bolts as they will be re-used with the tow point.



21) With the bolts removed, locate the two spot welds securing the front bumper to the chassis. These spot welds can be a little difficult to see but they are located on center, directly between the two nuts on each side of the bumper attachment point. See image below for reference.



22) Once the spot welds have been located, grind / cut them out.

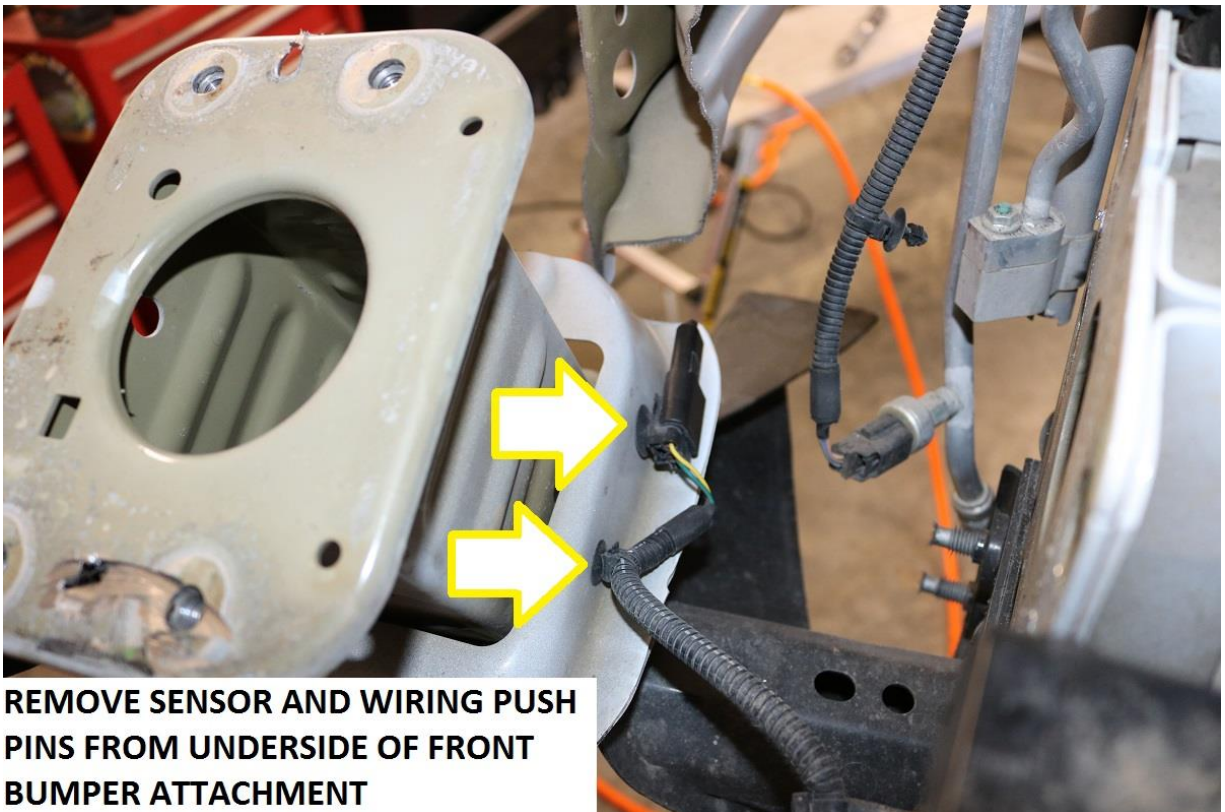
- a. When cutting out the spot welds, try to only cut / grind through the front bumper. Try not to cut too deep and start cutting into the chassis.
- b. Once the spot welds have been cut or ground down a good amount, use a chisel or large flat blade screwdriver to separate the front bumper from the chassis. See image below for reference.





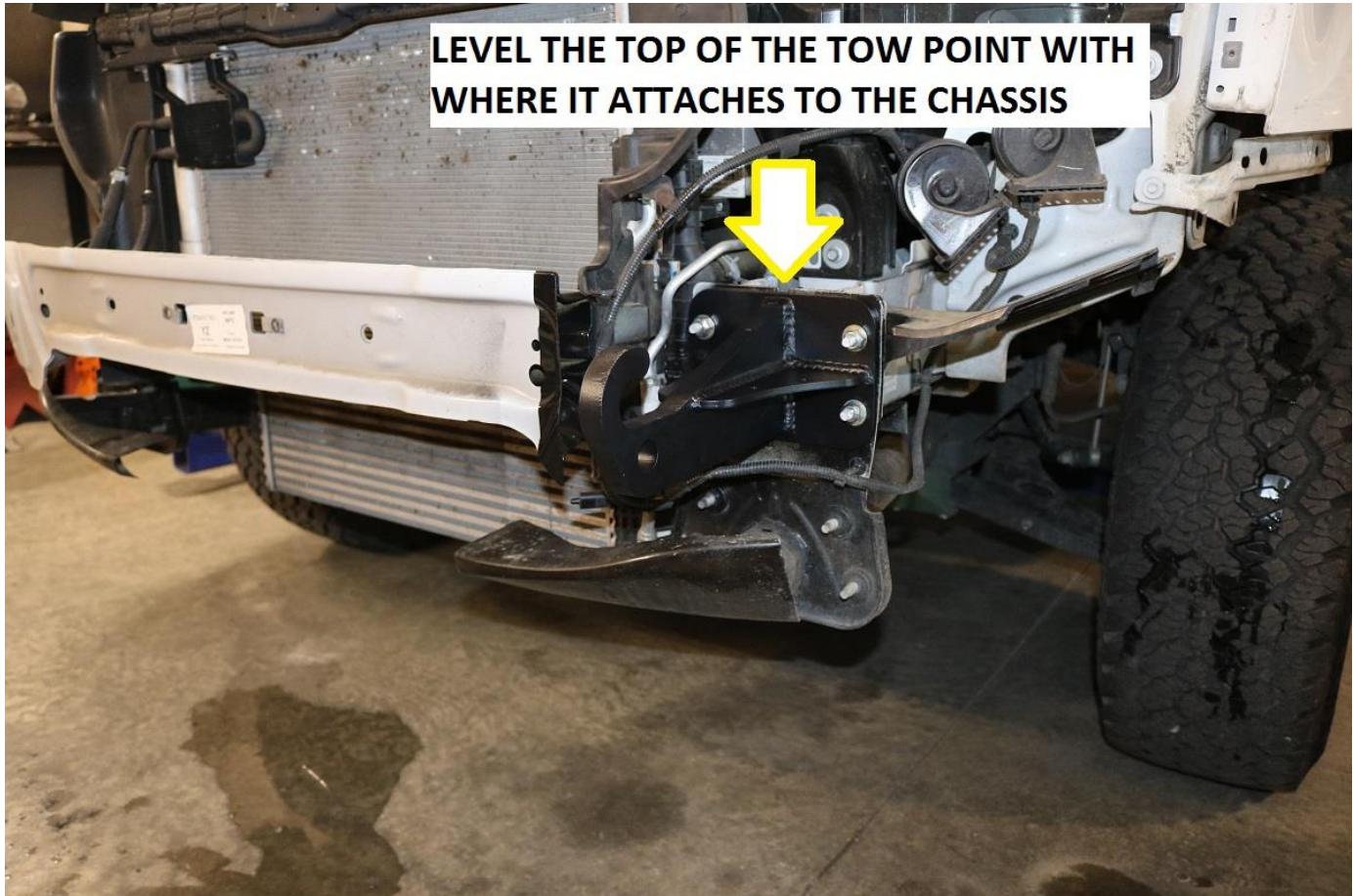
23) Note, on the underside of the driver side bumper attachment point is the outside ambient air temperature sensor.

- a. Separate the sensor and wiring from the bumper's attachment point using an automotive trim removal tool.

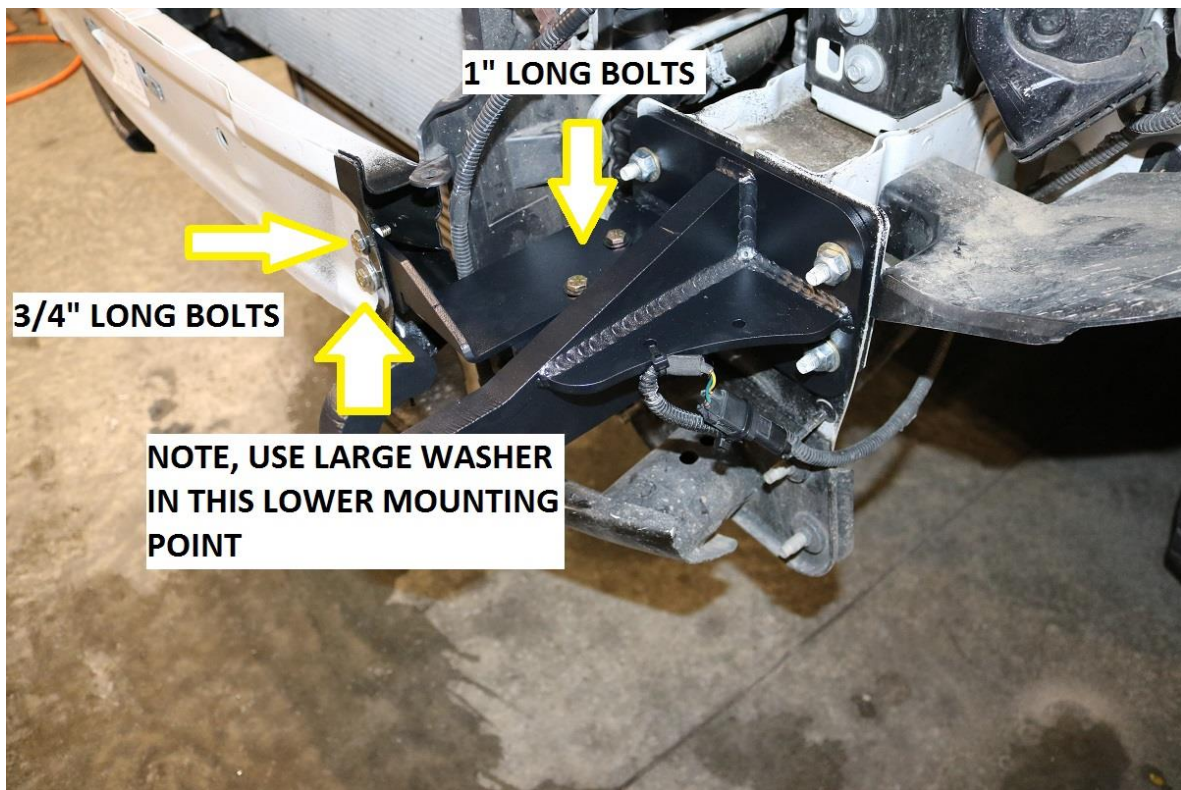




- 24) Sand any rough / sharp edges smooth on both the bumper and the chassis. Touch up any exposed areas of metal with a quality paint to prevent corrosion.
- 25) Install the front tow point using the OEM bumper bolts removed in step 20. Use a washer under the locking stover nuts which are included in the kit. Start all bolts / nuts before tightening.
- 26) Once all nuts have been started, snug the bolts. Use a 13mm socket / wrench for the bolt head and a 17mm socket / wrench for the nuts.
  - a. Level the top edge of the tow point with the top edge of the chassis so the tow point will be perfectly straight. See image below for reference.



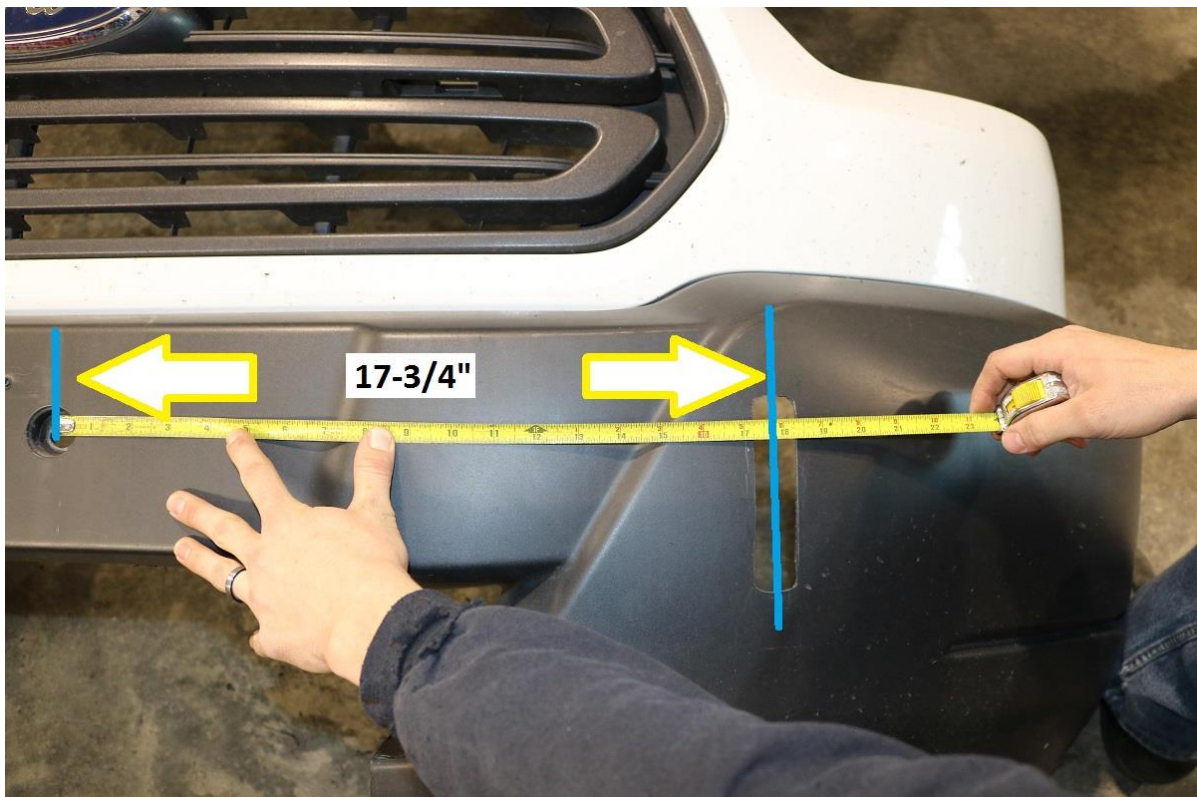
- 27) Torque the front tow point attachment bolts to 43 ft-lbs (58 N.m)
- 28) Install the front bumper bracket as shown below. Note, two brackets are included with each tow point kit, one for the driver (left hand) side and one for the passenger (right hand) side. Shown below is the driver side bracket, the passenger side is just a mirrored version of this.
  - a. Secure the bracket to the tow point using the  $\frac{1}{4}$ -20 x 1" long bolts included with a washer under the bolt head.
  - b. Secure the bracket to the front bumper using the  $\frac{1}{4}$ -20 x  $\frac{3}{4}$ " long bolts included. Use the extra-large washer for the bottom hole.
  - c. Install an included flange nut to attach all bolts.



29) Once all bolts have been started. Tighten / torque using a  $7/16$ " socket / wrench to 10 ft-lbs. (13.5 N.m)

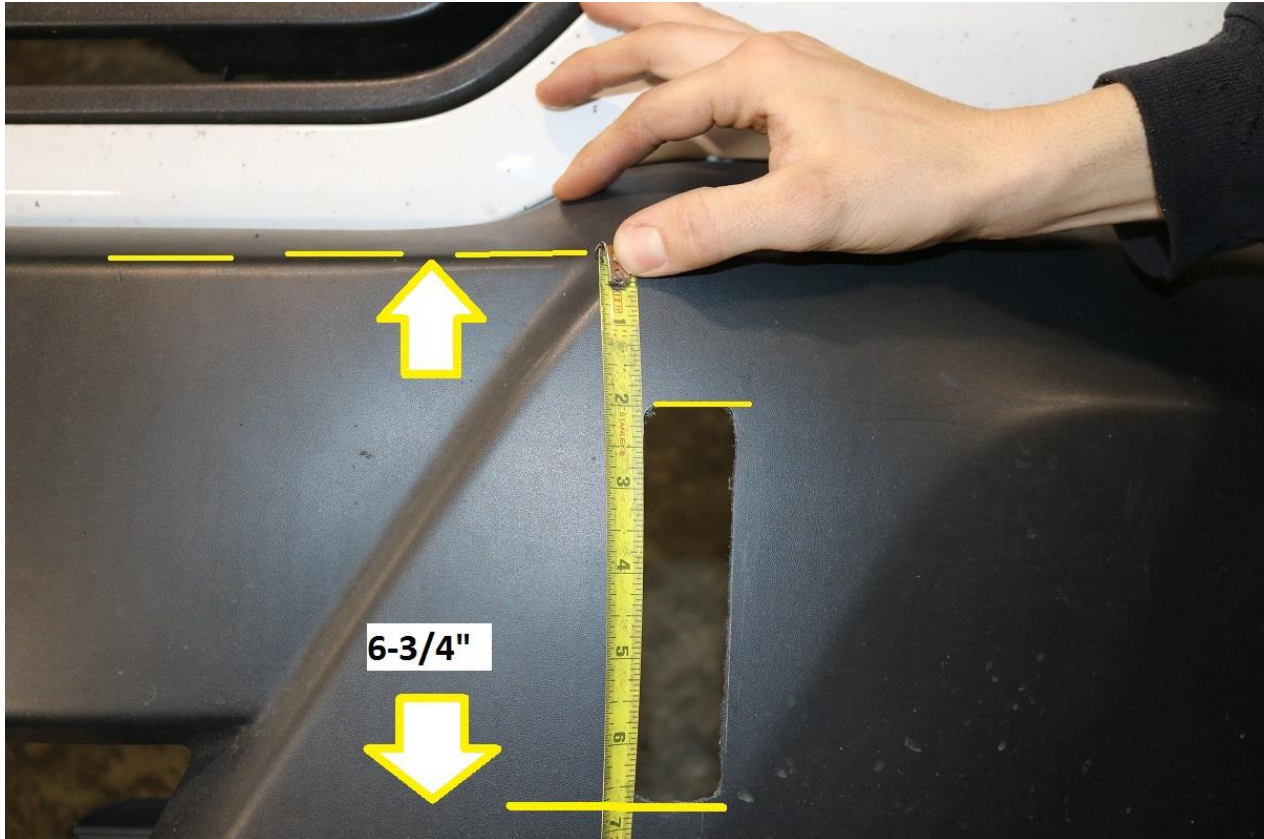
- a. Note, now is a good time to secure any factory wiring components (such as the ambient air temperature sensor) to the outer holes in the front tow point as shown in the image above.

30) Trim the front bumper for the front tow point to protrude through. Start by measuring over  $17-3/4$ " from the nearest front bumper cover attachment bolt hole. Mark a vertical line. This is the center line of the  $1$ " wide by  $4-3/4$ " long rectangular cutout needed.





- 31) Measure 2" down from the top center body line and mark a horizontal line.  
a. Mark a second horizontal line 6-3/4" down from the top center body line.



- 32) Using the reference lines measured out; connect the lines to complete a 1" wide x 4-3/4" long rectangular cutout.  
a. Cut the front bumper using a small cut off wheel, skill saw, or air saw.  
b. Clean up any rough edges with a dremel or round file.  
c. Test fit the completed cut to ensure the bumper will re-install. Continue trimming as necessary for bumper re-installation.
- 33) Re-install front bumper in the reverse order of removal. Refer to steps 15 thru 1 for re-installation.
- 34) Replace any broken push pin retainers on the fender trim pieces with the new ones included in the kit.

(Step 4)

Optional – Front tow point trim ring

- 35) We include an optional trim ring to cover the hole cutout should the cut end up being larger than anticipated.
- 36) Fit the trim ring as shown below. Attach using the included self-tapping #2 phillips screws.





Installation is Complete

#### RELEASE OF LIABILITY

I, the customer, do hereby release and forever discharge Van Compass LLC, their agents, employees, successors and assigns, and their respective heirs, personal representatives, affiliates, successors and assigns, and any and all persons, firms or corporations liable or who might be claimed to be liable, whether or not herein named, from any and all claims, demands, damages, actions, causes of action or suits of any kind or nature whatsoever, whether known or unknown, fixed or contingent, which I now have or may hereafter have or claim to have, as a result of or in any way relating to the following: Parts sold & installed by Van Compass LLC or parts sold & installed by end-user; any parts sold online, any parts sold online or installed by a re-seller, any parts installed by an installation shop.

It is understood and agreed that this payment is made and received in full and complete settlement and satisfaction of the aforesaid actions, causes of action, claims and demands; that this Release contains the entire agreement between the parties; and that the terms of this Agreement are contractual and not merely a recital. Furthermore, this Release shall be binding upon the undersigned, and his respective heirs, executors, administrators, personal representatives, successors and assigns. This Release shall be subject to and governed by the laws of the State of Idaho.

PRODUCT SAFETY WARNING:

Van Compass LLC strongly recommends the installation of products be done by a certified mechanic. If this does not occur, be certain the person(s) installing the product read, understand and follow all instructions and warnings pertaining to the application before installation. Do not add, alter, or fabricate any factory or aftermarket parts to increase vehicle height over the intended height of the Van Compass LLC product purchased. Mixing component brands is not recommended.

Installation of suspension lift kits or any other lifting kits or devices will raise the center of gravity. For this reason, Van Compass LLC urges that extreme caution be used when encountering driving conditions which may cause vehicle imbalance. Furthermore, the driver's field of vision and judgment will not be as good due to the height of the vehicle. Due to the installation of larger tires, the speedometer will read slower than the actual speed being traveled and more distance will be required to stop the vehicle. It is the owner's responsibility to caution and warn any potential driver of the vehicle about these driving and handling conditions. Van Compass LLC will not be held liable or responsible for damages or personal injuries resulting from the use of lifting devices and or related products. The tires and rims should be changed to sufficiently increase the vehicle's total overall width and stability to help accommodate lifting devices.

Van Compass LLC aftermarket suspension products and accessories modify a vehicle for uses which exceed conditions anticipated by the vehicle manufacturer. The uses include the high performance demands required during off-road. These conditions vary in the degree of extremity and cannot be controlled by the vehicle or product manufacturer. If the components within the suspension system or accessories become worn due to frequent and/or extreme use, the safety and reliability of the vehicle is at risk. The maintenance of aftermarket equipment to ensure the vehicle occupants safety is entirely your responsibility. Do not purchase Van Compass LLC products unless you are willing to accept this responsibility. Do not install any Van Compass LLC suspension products or accessories unless you feel competent at installing the product without causing present or future injury to yourself or other vehicle occupants; seek an authorized installation center.

Most states have some type of law limiting vehicle height. The amount of lift allowed, and how the lift can be achieved, varies greatly. Several states offer exemptions for farm and commercial registered vehicles. It is the vehicle owner's responsibility to check state and local laws to ensure that their vehicle will be in compliance. Van Compass LLC reserves the right to make changes in design, materials and specifications as deemed necessary without prior notice and without assuming obligation to modify any product previously manufactured. Obligation or liabilities will not be assumed with respect to similar products previously advertised.

This Release of Liability and Product Safety Warning has been read and fully understood by the undersigned and has been explained to me.