

ITEM# _____

PROJECT _____

DATE _____

Thermal Carafe Automatic Coffee Brewer

Features



12 Cup Automatic Coffee Brewer

- Brews 3.8 gallons (14.4 litres) of perfect coffee per hour.
- Accepts thermal carafe up to 8.5" tall (21.6cm).
- Use in quick turn environment where high quality coffee is continuously refreshed.
- Models are space saving 9.0" wide (22.9cm).
- All stainless steel construction.
- Hot water faucet on all models.
- SplashGard® funnel deflects hot liquids away from the hand.
- Pourover feature.
- For information on additional international models, please contact the International division at international@bunn.com

Model CWTFa-TC*

(no warmers) (thermal carafe sold separately)

Dimensions: 17.9" H x 9" W x 18.5" D
(45.5cm H x 22.9cm W x 55.4cm D)

For current specification sheets and other information, go to www.bunn.com.

* International models may vary in appearance.

Related Products

Easy Clear® EQ-17-TL

Product No. : 30200.1000

Dimensions:

12 $\frac{7}{16}$ " H x 2 $\frac{1}{2}$ " W x 3" D

31.6 cm H x 6.35 cm W x 7.62 cm D

Power Cord: 27728.0001



Thermal Carafe

Product No. : 36029.0001

Dimensions: 8"H x 6.4"W x 8.2"D

(20.3cm H x 16.3cm W x 21cm D)



Paper Filter Pack

Product No. : 20115.0000

Packed per case: 1,000

Dimensions: 4 $\frac{1}{4}$ " Base x 2 $\frac{3}{4}$ " Sidewall

10.8 cm Base x 6.98 cm Sidewall



Model

CWTFa-TC

Agency Listing

CE

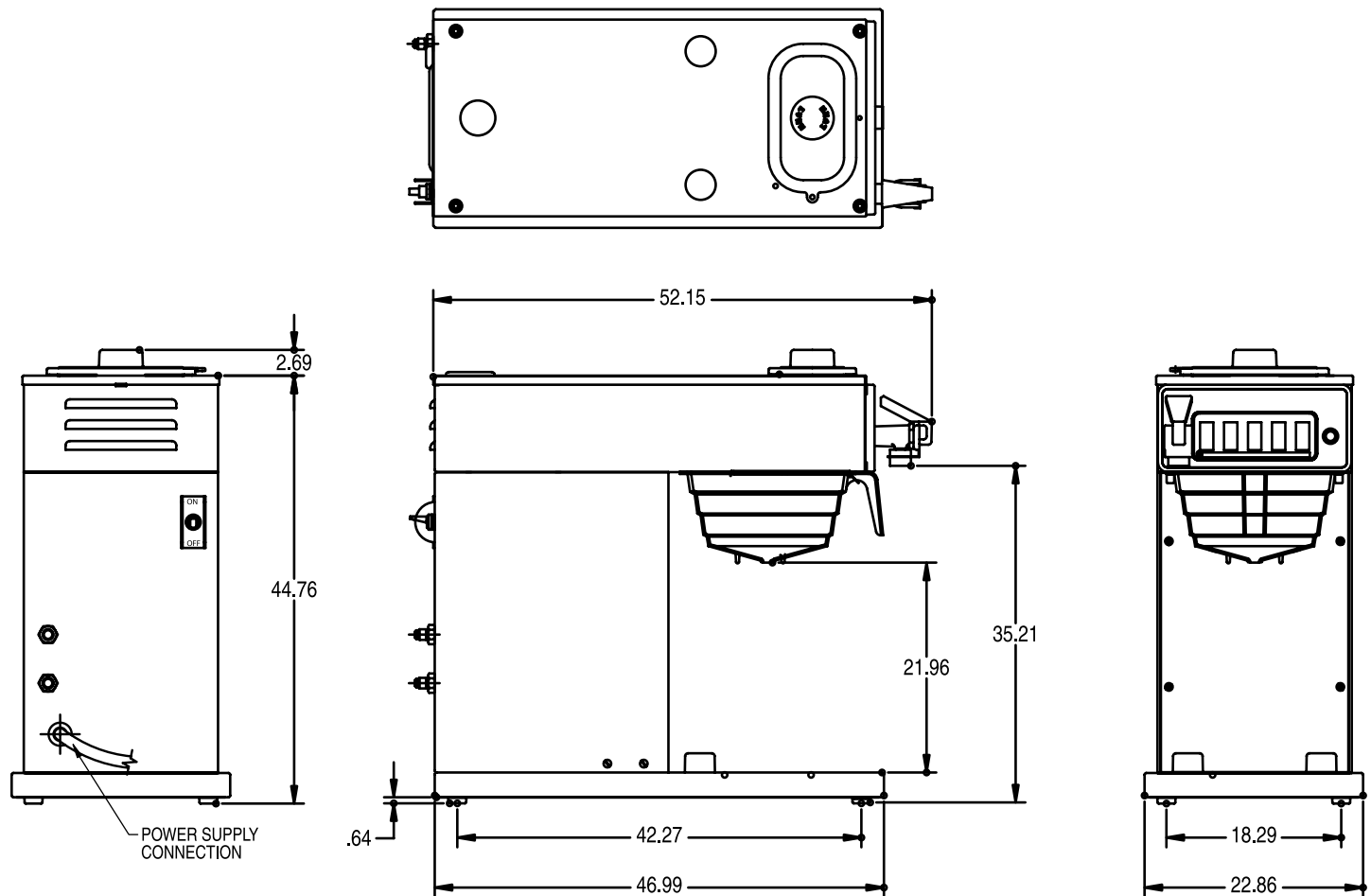
Dimensions & Specifications

Model	Product #	Volts	Amps	Tank Heater Watts	Total Watts	Brewing Capacity	Cubic Measure	Shipping Weight	Cord Attached
CWTFA-TC	12950.0362	230	9	1850	2100	5.2 gal./hr. (19.7 L/hr.)	4.2 ft ³ (.12 m ³)	31 lbs. (14.1 kg)	No

Brewing capacity: based on incoming water temp of 60°F/15°C (140°C/60°C rise) per 1/2 gallon brew time of 4 minutes.

Electrical: Model requires 2-wires plus ground service rated 220-240V, single phase, 50/60 Hz.

Plumbing: 20-90 psi (138-621 kPa). Machine supplied with 1/4" (6.4 mm) male flare fitting.



BUNN Corporation - 1400 Stevenson Drive Springfield, Illinois 62703 • USA • +1-217-529-6601 • Fax +1-217-529-2827 • www.bunn.com

BUNN® practices continuous product research and improvement. We reserve the right to change specifications and product design without notice. Such revisions do not entitle the buyer to corresponding changes, improvements, additions or replacements for previously purchased equipment.

All dimensions shown in centimeters. Bunn Corporation owns all copyrights relating to materials in this publication. Please contact Bunn Corporation to request permission to reproduce any portion of this publication.