

Thermal Carafe



Model 1.9 liter Thermal Carafe

Dimensions: 8" H x 6.4" W x 8.2" D
(20.3cm H x 16.3cm W x 21cm D)



Model 1.9 litre Economy Thermal Carafe

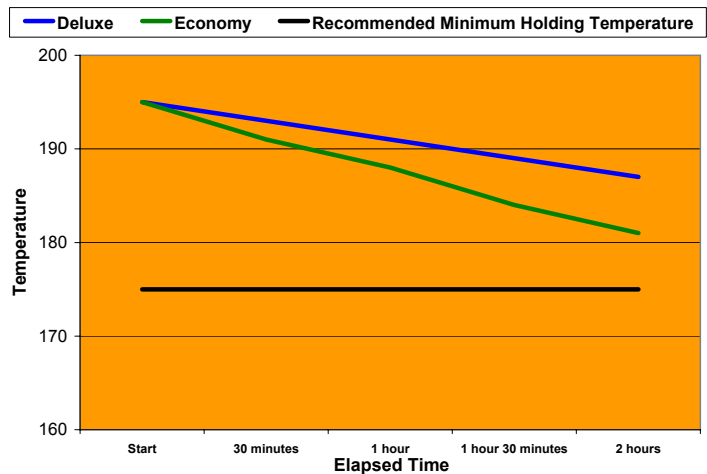
Dimensions:
7.1" H x 6.6" W x 8.64" D
(18cm H x 16.8cm W x 21.9cm D)

Features

Thermal Carafe

- Holds 1.9 liters or 64 ounces (12 cups) of coffee or other hot beverage.
- Unbreakable stainless steel interior and exterior.
- Superior vacuum insulation keeps beverages hot for hours.
- Brew through lid allows direct brewing.
- Fits on BUNN Thermal Carafe and Twin Thermal Carafe brewers.

Thermal Carafe Comparison Chart



For current specification sheets and other information, go to www.bunn.com.

Related Products

CWTF35-TC

Product No. : 12950.6107
Dimensions:
17.9" H x 9" W x 18.5" D
(45.5 cm H x 22.9 cm W x 55.4 cm D)



CWTF Twin-TC

Product No. : 23400.6047
Dimensions:
17.2"H x 16"W x 22.5"D
(43.7 cm H x 41 cm W x 21 cm 57.2 D)



AXIOM™ TC

Product No.: 38700.6011
Dimensions:
17.9" H x 9" W x 18.5" D
(45.5cm H x 22.9cm W x 55.4cm D)



Smart Wave™

Product No.: 39900.6000
Dimensions:
16.94" H x 8.74" W x 17.14" D
(43cm H x 22.2cm W x 43.5cm D)



1.9L Economy Thermal Carafe orange lid (decaf)
Product No.: 40163.0001

See spec sheets A3.13, A3.13a and A3.14 for more details on brewers.

Model

Thermal Carafe

Agency Listing

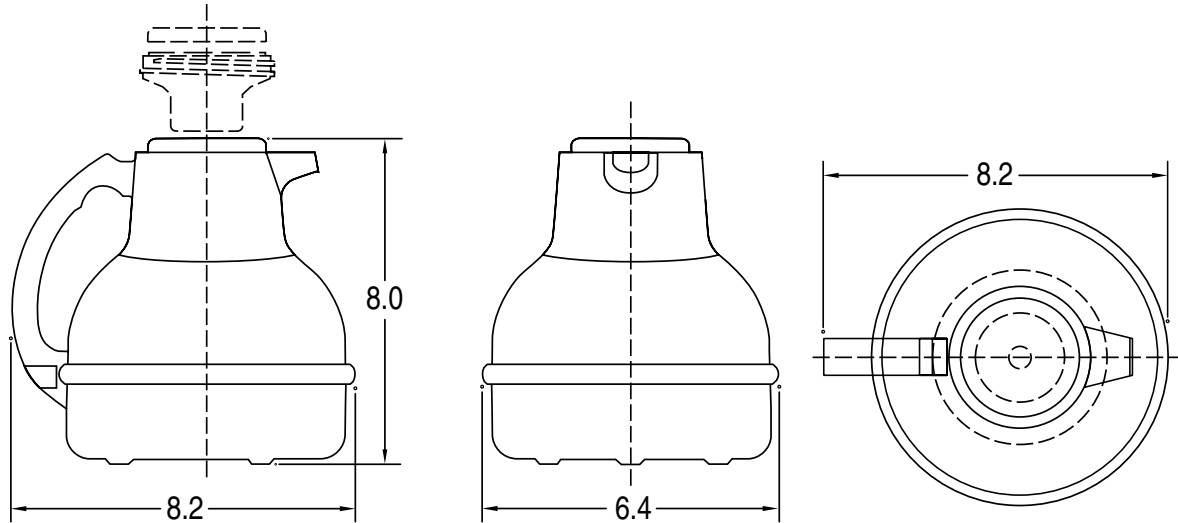


Dimensions & Specifications

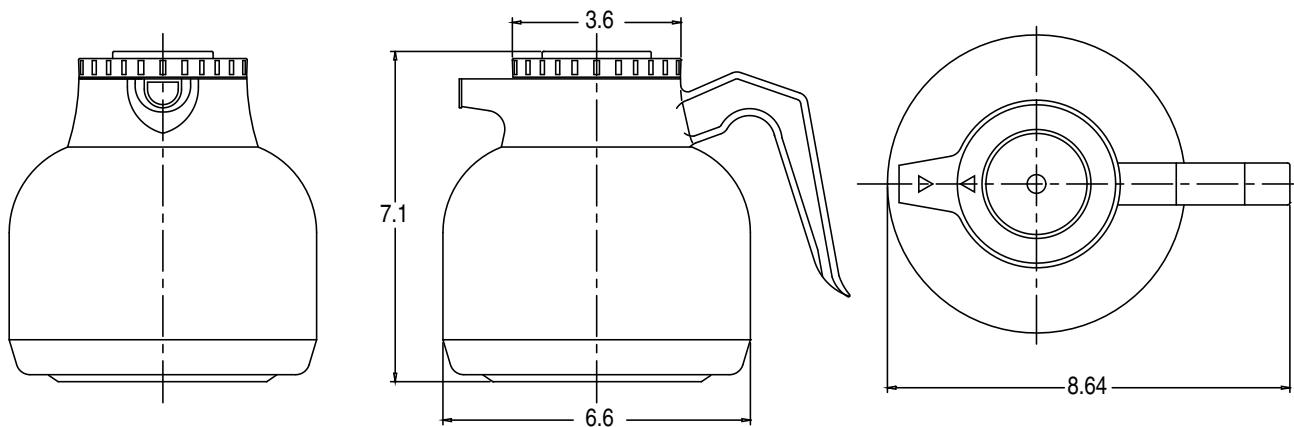
CANADA 

Model	Product #	Capacity	Quantity	Cubic ft ³ /m ³	Weight lbs/kg
1.9L Deluxe Thermal Carafe	18022.6002	1.9 litres (64 oz.)	single unit	.26 / .007	3.0 / 1.36
1.9L Economy Thermal Carafe	40163.0000	1.9 litres (64 oz.)	single unit	.26 / .007	2.5 / 1.13
1.9L Economy Thermal Carafe	40163.0100	1.9 litres (64 oz.)	12 units to a case	3.6 / 0.102	30 / 13.6
1.9L Economy Thermal Carafe*	40163.0001	1.9 litres (64 oz.)	single unit	.26 / .007	2.5 / 1.13
1.9L Economy Thermal Carafe*	40163.0101	1.9 litres (64 oz.)	12 units to a case	3.6 / 0.102	30 / 13.6

Note: *Orange lid (for decaf).



1.9 litre Deluxe Thermal Carafe



1.9 litre Economy Thermal Carafe

Bunn-O-Matic Corporation of Canada - 280 Industrial Pkwy. S. Aurora, Ontario L4G 3T9 • 905-841-2866 • Fax 905-841-2775 • www.bunn.com

BUNN® practices continuous product research and improvement. We reserve the right to change specifications and product design without notice. Such revisions do not entitle the buyer to corresponding changes, improvements, additions or replacements for previously purchased equipment.

All dimensions shown in inches. Bunn Corporation owns all copyrights relating to materials in this publication. Please contact Bunn Corporation to request permission to reproduce any portion of this publication.