

1 lb. Bulk Grinder

Features

Bulk Grinder

- Hopper holds 1 lb. (.45 kg) of fresh coffee beans.
- Turbo action draws coffee through grind chamber for greater grinding efficiency.
- Fast grinding—one pound in under 30 seconds.
- Wide range of grinds can be selected.
- Convenient cleaning lever ensures complete clean out of coffee from grind chamber.
- Bag switch stops motor when bag is removed and prevents grinding before bag is in place.
- Heavy-duty precision burrs for quality, finer grinds.
- Four-year warranty on grinding burrs.
- International electrical configurations available.



Model G1

Dimensions: 22.8"H x 7.3"W x 15.9"D
(57.9cm H x 18.54cm W x 40.4cm D)

For current specification sheets and other information, go to www.bunn.com.

Related Products

Precision Burrs

All BUNN grinders use precision burrs to cut (not crush) the coffee beans and deliver consistent grind distribution. BUNN burrs are rated at a Rockwell hardness of 66C, resulting in an exceptionally long burr life.



Standard Burr Replacement Kit

Product No: 05861.1002

Turkish Burr Replacement Kit

Product No: 11285.0000

Hopper Magnet Kit

Product No: 20204.1702

trifecta Conversion Kit G1

Product No. : 43233.1000



Model

G1

Agency Listing



Patents Apply

7/15

C2.1

Dimensions & Specifications

CANADA 

Model	Product #	Volts	Amps	Capacity lbs/kg	Cubic ft ³ /m ³	Weight lbs/kg	Cord Attached
G1 HD Black*	22104.6001	120	9	1 / .45	6 / .17	60 / 27.2	Yes [†]
G1 HD Red*	22104.6003	120	9	1 / .45	6 / .17	60 / 27.2	Yes [†]
G1 HD Black**	22104.6007	120	9	1 / .45	6 / .17	60 / 27.2	Yes [†]
G1 HD Red**	22100.6009	120	9	1 / .45	6 / .17	60 / 27.2	Yes [†]
G1 HD Red***	22100.6006	120	9	1 / .45	6 / .17	60 / 27.2	Yes [†]

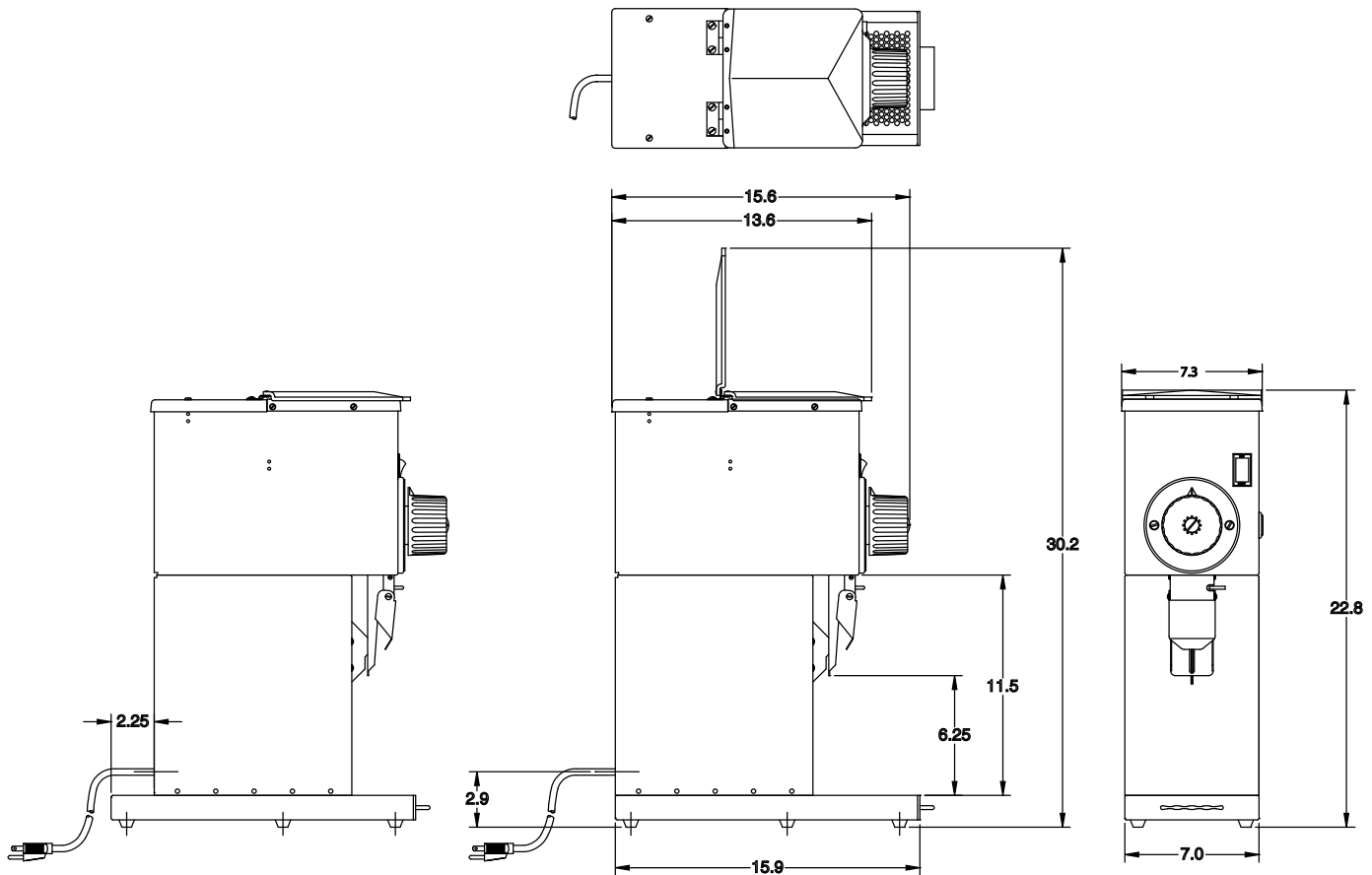
* Lift Style Bag Switch, Extended Slot

** Pivot Style Bag Switch

*** Lift Style Bag Switch

[†]Power cord (NEMA 5-15P) 15 Amp-120V machine only.

Electrical: G1 HD motors are rated: 120 volts, 60 Hz, 9 amps. Requires 2-wires plus ground service. $\frac{3}{4}$ HP motor.



Bunn-O-Matic Corporation of Canada - 280 Industrial Pkwy. S. Aurora, Ontario L4G 3T9 • 905-841-2866 • Fax 905-841-2775 • www.bunn.com

BUNN® practices continuous product research and improvement. We reserve the right to change specifications and product design without notice. Such revisions do not entitle the buyer to corresponding changes, improvements, additions or replacements for previously purchased equipment.

All dimensions shown in inches. Bunn Corporation owns all copyrights relating to materials in this publication. Please contact Bunn Corporation to request permission to reproduce any portion of this publication.