

## Airpots and Table Server



**Model 2.2 liter  
Push-Button Airpot**  
Dimensions:  
16.4" H x 6.1" W x 7.9" D  
(42cm H x 16cm W x 20cm D)



**Model 3.8 liter  
Lever-Action Airpot**  
Dimensions:  
17.6" H x 6.3" W x 9" D  
(34.7cm H x 16cm W x 23cm D)



**Model 2.5 liter  
Lever-Action Airpot**  
Dimensions:  
14.6" H x 6.3" W x 9" D  
(37cm H x 16cm W x 23cm D)



**Model 1.9 liter  
Thermal Pitcher**  
Dimensions:  
11.3" H x 6.5" W x 5.5" D  
(28.7cm H x 16.5cm W x 14cm D)

### Features

#### Push-Button Airpots

- Brew-through insert.
- Just close the lid after brewing—dispenses up to 4 ounces at the first pump.
- Glass insulation keeps beverage hot for hours.
- Attractive, chrome finish with black trim.
- Available in 2.2 liter (74 oz.) and 2.5 liter (84 oz.)

#### Lever-Action Airpots

- Stainless steel lining insures hot coffee for hours.
- Brew-through insert.
- Available in 2.5 liter (84 oz.), 3.0 liter (102 oz.) and 3.8 liter (129 oz.).

#### Thermal Pitcher

- Stainless steel lining ensures hot coffee for hours.
- Brew-through lid feature.
- Available in 1.9 liter (64 oz.)

#### Table Server

- Holds 1.9 liters or 64 ounces (12 cups) of coffee or other hot beverage.
- Glass insulation keeps beverage hot for hours.
- Attractive, chrome finish with black trim
- Brew-through lid allows direct brewing.



**Model 1.9 liter  
Table Server**  
Dimensions:  
13" H x 6" W x 6" D  
(33cm H x 15.25cm W x 15.25cm D)

For current specification sheets and other information, go to [www.bunn.com](http://www.bunn.com).

### Related Products

#### BUNN Advantage Coffee-iser

SET No. : SET00.0076  
The Advantage Coffee-iser with graphic canopy adds stopping power and positions your product to increase coffee sales and profits.

For push-button and lever-action airpots. See page A3.7 for more information.



#### Universal Airpot Racks

for push-button and lever-action airpots. See page A3.9 for more information.



#### Airpot Racks

for push-button airpots only. See page A3.8 for more information.



#### Model

#### Agency Listing

Push-Button Airpot  
Lever-Action Airpot  
Thermal Pitcher  
Table Server

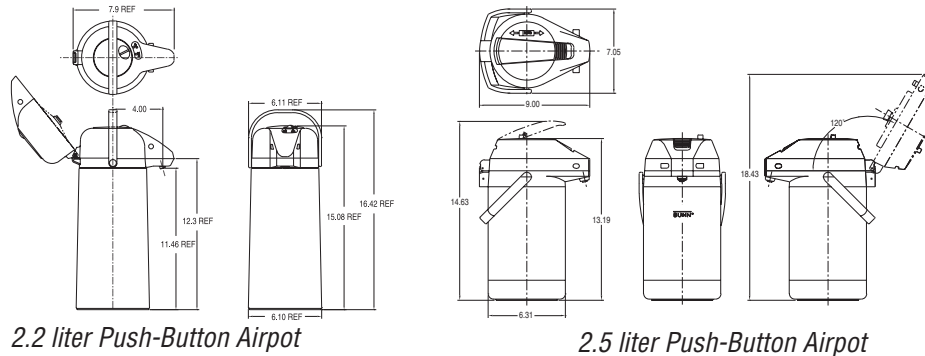


# Dimensions & Specifications



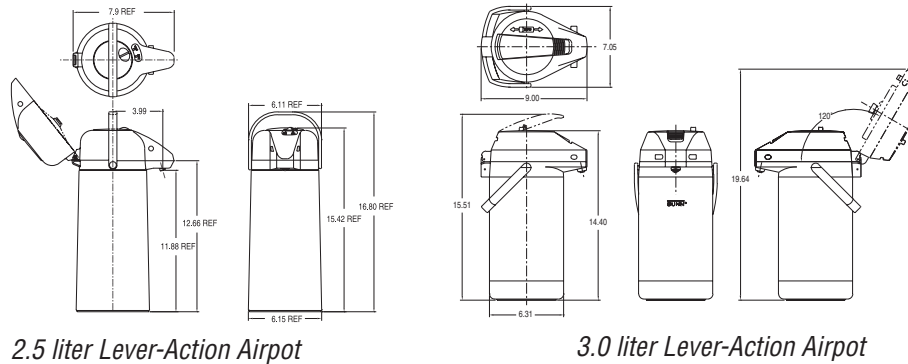
Model	Product #	Capacity	Quantity	Cubic ft <sup>3</sup> /m <sup>3</sup>	Weight lbs/kg
2.2 liter Push-Button Airpot	28696.6000	2.2 liters (74 oz.)	single unit	0.4 / .011	4 / 1.8
2.5 liter Push-Button Airpot	13041.6000	2.5 liters (84 oz.)	single unit	0.4 / .011	4 / 1.8
2.5 liter Lever-Action Airpot*	32125.0000	2.5 liters (84 oz.)	single unit	0.4 / .011	5.3 / 2.4
2.5 liter Lever-Action Airpot*	32125.0100	2.5 liters (84 oz.)	6 units to case	4.53 / 0.128	34 / 15.4
3.0 liter Lever-Action Airpot*	32130.0000	3.0 liters (102 oz.)	single unit	0.4 / .011	6 / 2.7
3.0 liter Lever-Action Airpot*	32130.0100	3.0 liters (102 oz.)	6 units to case	4.82 / 0.148	36 / 16.3
3.8 liter Lever-Action Airpot*	36725.0000	3.8 liters (129 oz.)	single unit	.53 / .015	7 / 3.8
3.8 liter Lever-Action Airpot*	36725.0100	3.8 liters (129 oz.)	6 units to case	5.24 / 0.148	40 / 18.1
1.9 liter Thermal Pitcher*	39430.0000	1.9 liters (64 oz.)	single unit	.3 / .008	3 / 1.3
1.9 liter Thermal Pitcher*	39430.0100	1.9 liters (64 oz.)	6 units to case	1.86 / 0.53	17 / 7.71
1.9 liter Table Server	18022.6000	1.9 liters (64 oz.)	single unit	.3 / .008	3 / 1.3

\*Note: Stainless Steel Liner.



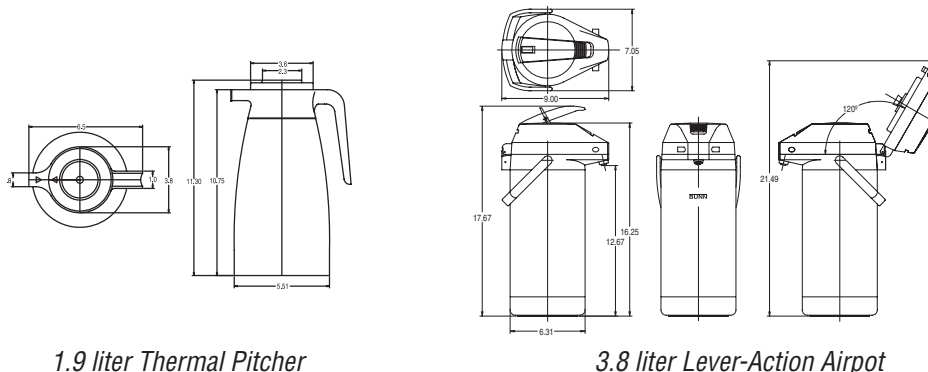
2.2 liter Push-Button Airpot

2.5 liter Push-Button Airpot



2.5 liter Lever-Action Airpot

3.0 liter Lever-Action Airpot



1.9 liter Thermal Pitcher

3.8 liter Lever-Action Airpot

Bunn-O-Matic Corporation of Canada - 280 Industrial Pkwy. S. Aurora, Ontario L4G 3T9 • 905-841-2866 • Fax 905-841-2775 • www.bunn.com

BUNN® practices continuous product research and improvement. We reserve the right to change specifications and product design without notice. Such revisions do not entitle the buyer to corresponding changes, improvements, additions or replacements for previously purchased equipment.

All dimensions shown in inches. Bunn Corporation owns all copyrights relating to materials in this publication. Please contact Bunn Corporation to request permission to reproduce any portion of this publication.