

AXIOM™ Thermal Server Coffee Brewer



**Model AXIOM-TS
with Thermal Server**
(Server sold separately)

Dimensions: 27.6" H x 9" W x 18.5" D
(70.1 cm H x 22.9cm W x 47cm D)

Features

Axiom Thermal Server Coffee Brewer

- Brews 4.5 to 7.5 gallons (15.7 to 28.4 litres) of perfect coffee per hour.
- Dual Voltage model Easily convertible by flipping a switch to:
 - 120 volt, 12.5 amp
 - 120/208 volt, 13 amp
 - 120/240 volt, 15 amp
- For high lime areas, BrewLOGIC™ technology calculates flow rate and adjusts brew time to maintain consistent pot levels.
- BrewWIZARD™ technology simplifies brewer programming with a LCD display. Set brew level, cold brew lock-out and tank temperature from the front of the machine.
- Convenient airpots keep coffee hot and fresh for hours.
- Thermal Servers easily transported to meeting rooms, breakfast bars, etc.
- Brews directly into Thermal Servers with base.
- Ensures coffee brew quality with cold brew lock out capability.
- Electronic diagnostics and built in tank drain make service easier.
- Coffee extraction controlled with programmable pre-infusion, pulse brew and digital temperature control.
- Hot water faucet.
- SplashGard® funnel deflects hot liquids away from the hand.
- Energy-saver mode reduces tank temperature during idle periods.

Related Products

Thermal Server-Black

Product No. :
23300.6101 (Glass Liner)
23300.6120 (Stainless Liner)
Capacity: 84 oz. (2.5 L)



Easy Clear® EQ-17-TL

Product No. : 30200.1000
Dimensions:
12⁷/₁₆" H x 2¹/₂" W x 3" D
(31.6 cm H x 6.35 cm W x 7.62 cm D)



Easy Clear® ED-17-TL

Product No. : 30201.1001
Dimensions:
8¹/₄" H x 2⁵/₁₆" Dia.
(20.95 cm H x 5.87 cm Dia.)



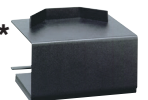
Paper Filter Pack

Product No. : 20115.6000
Packed per case: 1,000
Dimensions:
4¹/₄" Base x 2³/₄" Sidewall
(10.8 cm Base x 6.98 cm Sidewall)



Thermal Server Booster*

Product No. : 18010.6000
Capacity: 1 Thermal Server
Shipping Weight: 2 lbs. (.9 kg)
Dimensions: 4.5" H x 9¹/₄" W x 8¹/₄" D
11.4 cm H x 23.5 cm W x 21 cm D



*To be used in conjunction with Thermal Server without base. Product No. : 23300.6105 & 23300.6124.

Model

AXIOM-15-TS

AXIOM-35-TS

AXIOM-DV-TS

Agency Listing



Dimensions & Specifications

CANADA 

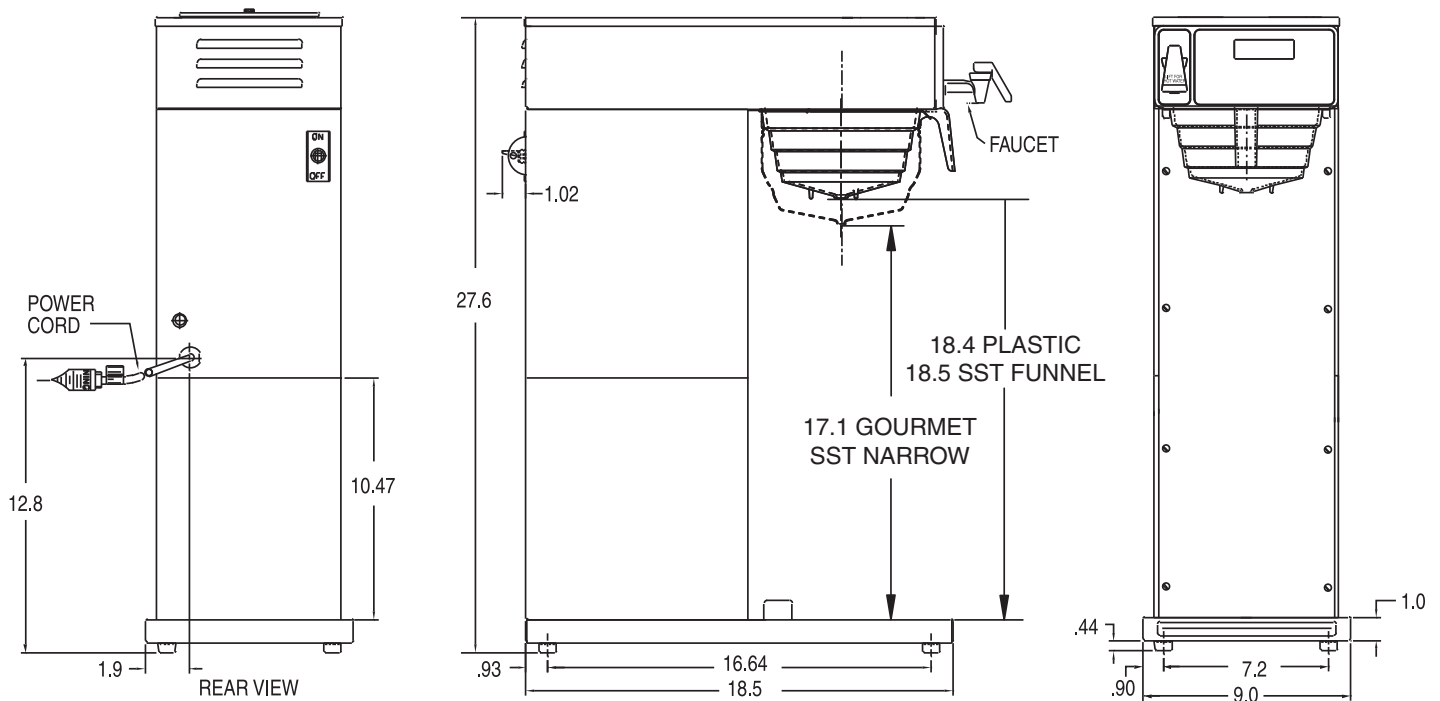
Model	Product #	Volts	Amps	Tank Htr Watts	Total Watts	Capacity per hour	Cubic ft ³ /m ³	Weight lbs/kg	Cord Attached
AXIOM-15 TS (Black Trunk, Plastic Funnel)	38700.6050	120	12.3	1425	1475	4.5 gal/17.1 L	5.2/.15	37 /16.8	Yes
AXIOM-35 TS (Black Trunk, Stainless Steel Funnel)	38700.6054	120/240	14.6	3500	3500	7.5 gal/20.8 L	5.2/.15	37 /16.8	No
AXIOM-DV TS (Black Trunk, Stainless Steel Funnel)	38700.6057	120	12.3	1425	1475	4.5 gal/17.1 L	5.2/.15	37 /16.8	Yes

Brewing capacity: based upon incoming water temp of 60°F (140°F rise) per 1/2 gallon brew time of 4 minutes.

Electrical: If wired for 120V, requires 2-wires plus ground service rated 120V, single phase, 60 Hz.

If wired for 120/208V or 120/240V, requires 3-wires plus ground service rated 120/208V or 120/240V, single phase, 60 Hz.

Plumbing: 20-90 psi (138-621 kPa). Supplied with 1/4" male flare fitting.



Bunn-O-Matic® Corporation of Canada • 280 Industrial Pkwy South, Aurora Ontario. L4G 3T9 • (905) 841-2866 • www.bunn.com

BUNN® practices continuous product research and improvement. We reserve the right to change specifications and product design without notice. Such revisions do not entitle the buyer to corresponding changes, improvements, additions or replacements for previously purchased equipment.

All dimensions shown in centimeters.

1/16 © Bunn-O-Matic Corporation