

# AXIOM™ 12 Cup Dual-Voltage Coffee Brewer



**Model AXIOM-DV-3**

(decanters sold separately)

Dimensions: 18.9" H x 8.5" W x 17.7" D  
(48cm H x 21.6cm W x 44.9cm D)



**Model AXIOM-DV-3**

(decanters sold separately)

Dimensions: 16.8" H x 16.5" W x 17.7" D  
(42.7cm H x 41.9cm W x 44.9cm D)

## Features

### AXIOM Automatic Coffee Brewer

- Large 200 oz. (5.9 litres) tank provides back-to-back brewing capacity.
- Dual voltage adaptable. Can operate at 120V/15 amp or 120/208-240V/20 amp.
- Adjusts automatically to varying water pressure.
- For high lime areas, BrewLOGIC™ technology calculates flow rate and adjusts brew time to maintain consistent pot levels.
- BrewWIZARD™ technology simplifies brewer programming with a LCD display. Set brew level, cold brew lock-out and tank temperature from the front of the machine.
- Digital temperature control and accuracy.
- Ensures coffee brew quality with cold brew lock out capability.
- Electronic diagnostics and built in tank drain make service easier.
- SplashGard® funnel deflects hot liquids away from the hand.
- Coffee extraction controlled with programmable pre-infusion, pulse brew and digital temperature control.
- Automatic warmer shut-off.
- Energy-saver mode reduces tank temperature during idle periods.

## Related Products

### Easy Clear® EQ-17-TL

Product No. : 30200.1000



### Easy Clear® ED-17-TL

Product No. : 30201.1001

### Paper Filter Pack

Product No. : 20115.6000

Packed per case: 1,000

Dimensions: 4<sup>1</sup>/<sub>4</sub>" Base x 2<sup>3</sup>/<sub>4</sub>" Sidewall

10.8 cm Base x 6.98 cm Sidewall



### Easy Pour® black decanter

Product No. : 06100.0201

Quantity: 1 (also packaged in quantities of 3 & 24)



### Easy Pour® orange decanter (decaf)

Product No. : 06101.0201

Quantity: 1 (also packaged in quantities of 3 & 24)



### WX1-warmer

Product No. : 06450.6000

One position warmer



### WX2-warmer

Product No. : 06310.6000

Two position warmer



## Model

AXIOM-DV-3

## Agency Listing



# Dimensions & Specifications

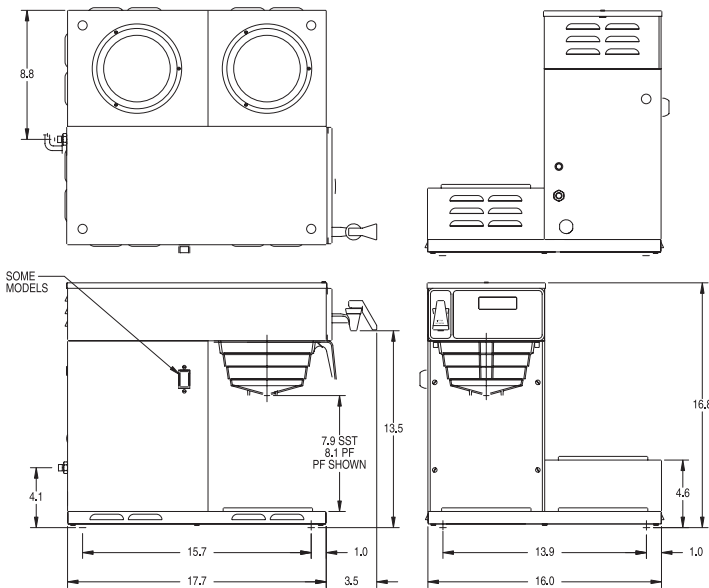


Model	Product #	Volts	Amps	Tank Htr Watts	Total Watts	Capacity per hour	Cubic ft <sup>3</sup> /m <sup>3</sup>	Weight lbs/kg	Cord Attached
AXIOM-DV-3 (1L/2U Warmers)	38700.6008	120	12.5	1150	1500	3.8 gal/14.4 L	4.0 /.113	30 /13.6	Yes
		120/208	13.9	2290	2640	6.7 gal/25.4 L	4.0 /.113	30 /13.6	Yes
		120/240	15.7	3060	3410	7.5 gal/28.4 L	4.0 /.113	30 /13.6	Yes
AXIOM-DV-3 (3 Lower Warmers)	38700.6009	120	12.5	1150	1500	3.8 gal/14.4 L	6.4 /.181	32 /14.5	Yes
		120/208	13.9	2290	2640	6.7 gal/25.4 L	6.4 /.181	32 /14.5	Yes
		120/240	15.7	3060	3410	7.5 gal/28.4 L	6.4 /.181	32 /14.5	Yes

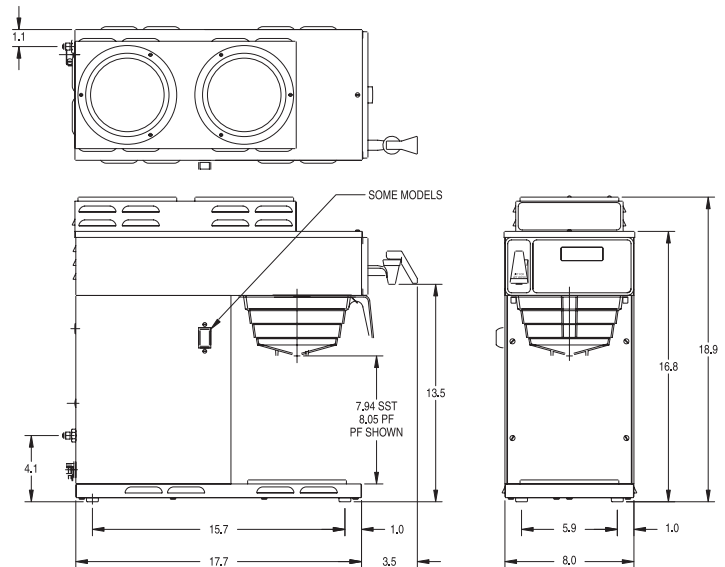
Brewing capacity: based upon incoming water temp of 60°F (140°F rise) per 1/2 gallon brew time of 4 minutes.

Electrical: 120 volt, 15 amp. models require 2-wires plus ground service rated 120V, single phase, 60 Hz.  
If wired for 120/208V or 120/240V, required 3 wires plus ground service rated 120/208V or 120/240V, single phase, 60Hz.

Plumbing: 20-90 psi (138-621 kPa). Machines supplied with 1/4" male flare fitting. Twin models supplied with 3/8" male flare fitting.



**AXIOM**  
3-Lower Warmers



**AXIOM**  
2-Upper/1 Lower Warmer

Bunn-O-Matic® Corporation of Canada • 280 Industrial Pkwy South, Aurora Ontario. L4G 3T9 • (905) 841-2866 • www.bunn.com

BUNN® practices continuous product research and improvement. We reserve the right to change specifications and product design without notice. Such revisions do not entitle the buyer to corresponding changes, improvements, additions or replacements for previously purchased equipment.

All dimensions shown in centimeters.

1/16 © Bunn-O-Matic Corporation