

BUNN®

TF Servers

ITEM#

PROJECT

DATE

Features

BUNN ThermoFresh servers

- Vacuum insulated to keep coffee hot and fresh for hours.
- Contemporary styling and wrap program for maximum merchandising.
- Built-in drip tray attached to the server for transportation—easily removed for cleaning.
- Large cup clearance allows for dispensing into cups, decanters and thermal carafes.
- Fast flow faucet.
- Brew-through lid.
- Stackable design for dry storage.
- Real world, dispensed heat retention test results.



1.5 gallon TF Servers*

(sold separately)

Dimensions: 22.5" H x 9.9" W x 16.3" D
(57.2cm H x 25.2cm W x 41.4cm D)

For current specification sheets and other information, go to www.bunn.com.

* International models may vary in appearance.

Related Products

Model	Agency Listing	International Model	Agency Listing
TF Server	NSF	TF Server	CE

Patents Apply

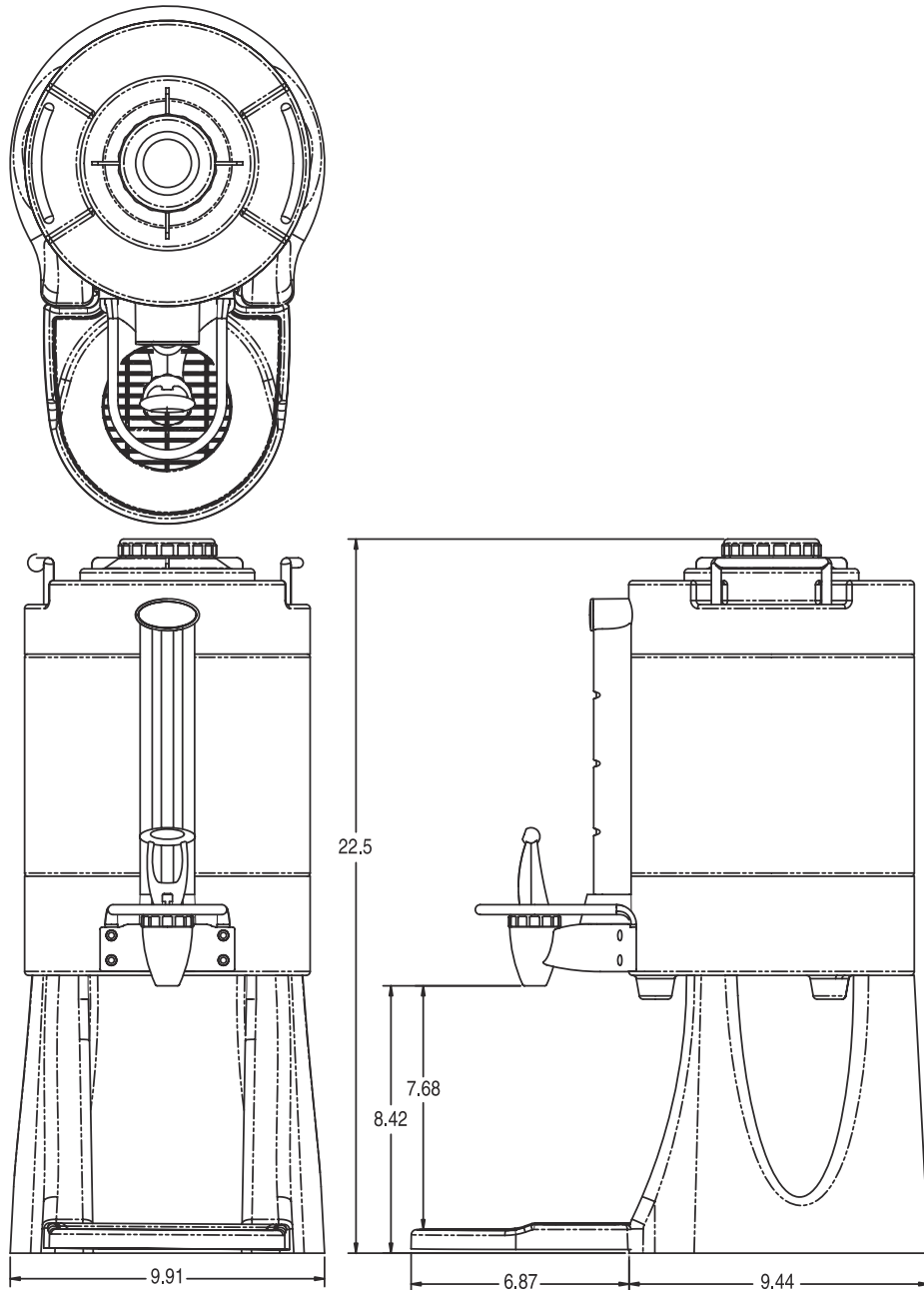
5/04

A2.13

Dimensions & Specifications

Model	Product #	Volts	Amps	Total Watts	Holding Capacity	Cu. Ft.	Shipping Weight	Cord Attached
TF Server	34850.0000	n/a	n/a	n/a	1.5 gallons	2.8	13.8	No
TF Server*	34850.0001	n/a	n/a	n/a	1.5 gallons	2.8	13.8	No

* Models have black decor.



BUNN Corporation - 1400 Stevenson Drive Springfield, Illinois 62703 • 800-637-8606 • 217-529-6601 • Fax 217-529-6644 • www.bunn.com

BUNN® practices continuous product research and improvement. We reserve the right to change specifications and product design without notice. Such revisions do not entitle the buyer to corresponding changes, improvements, additions or replacements for previously purchased equipment.

All dimensions shown in inches. Bunn Corporation owns all copyrights relating to materials in this publication. Please contact Bunn Corporation to request permission to reproduce any portion of this publication.