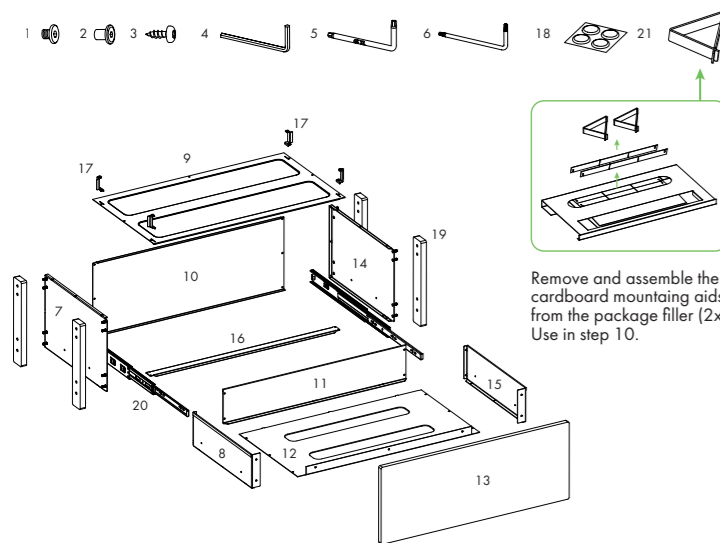


List of parts



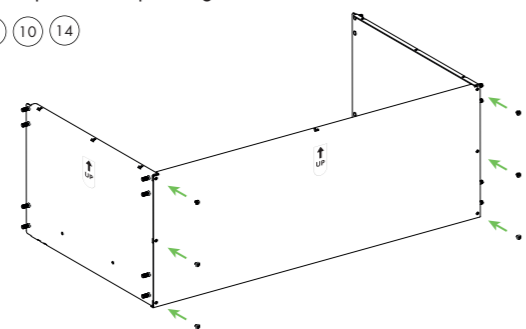
Remove and assemble the cardboard mounting aids from the package filler (2x). Use in step 10.

- | | |
|--------------------------------------|---|
| 1. M4 screw 39x | 12. Drawer bottom sheet metal panel 1x |
| 2. Nut (for attaching legs) 16x | 13. Drawer wooden panel 1x |
| 3. Wood screw 7x | 14. Right sheet metal panel 1x |
| 4. Hex 4 wrench 1x | 15. Drawer right sheet metal panel 1x |
| 5. TX20 wrench 1x | 16. Reinforcement sheet metal bar 1x |
| 6. TX10 wrench 1x | 17. Stacking clamp 2x left, 2x right 4x |
| 7. Left sheet metal panel 1x | 18. Self-adhesive pads for legs 4x |
| 8. Drawer left sheet metal panel 1x | 19. Wooden leg 4x |
| 9. Top sheet metal panel 1x | 20. Telescope slider 350mm 2x |
| 10. Rear sheet metal panel 1x | 21. Mounting aid 2x |
| 11. Drawer rear sheet metal panel 1x | |

Assembly instructions

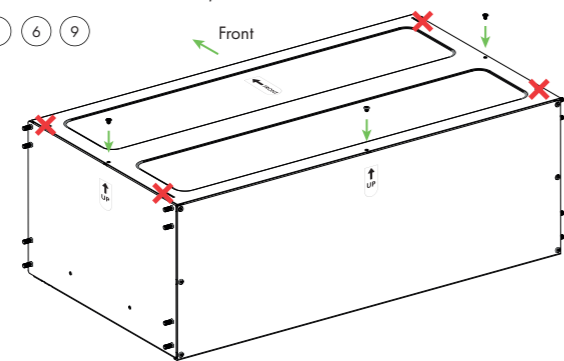
Step 1. Connect left and right side panel to rear panel. Fasten panels with M4 screws (6x) and TX10 wrench. Make sure that the "Up" stickers on the panels are pointing all in the same direction.

① ⑥ ⑦ ⑩ ⑭



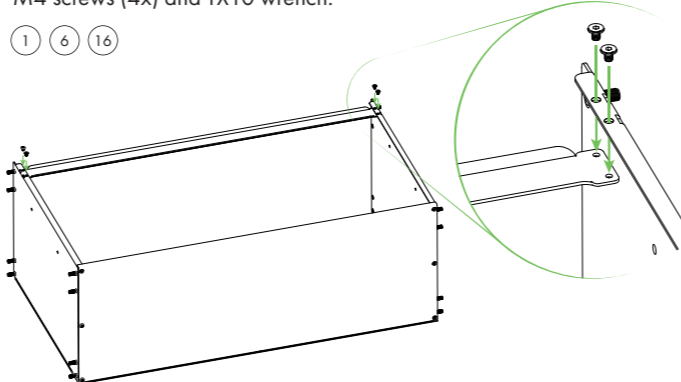
Step 2. Connect top panel to lower parts. Fasten panels with M4 screws (3x) and TX10 wrench. Make sure that the "Front" sticker on the panel is pointing in the same direction as shown below. Do not use screws in the corners, shown with red markers.

① ⑥ ⑨



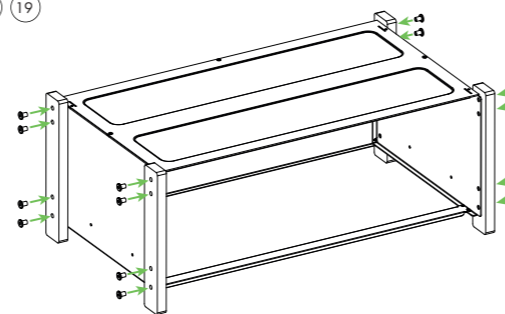
Step 3. Connect bottom reinforcement beam. Fasten the beam with M4 screws (4x) and TX10 wrench.

① ⑥ ⑯



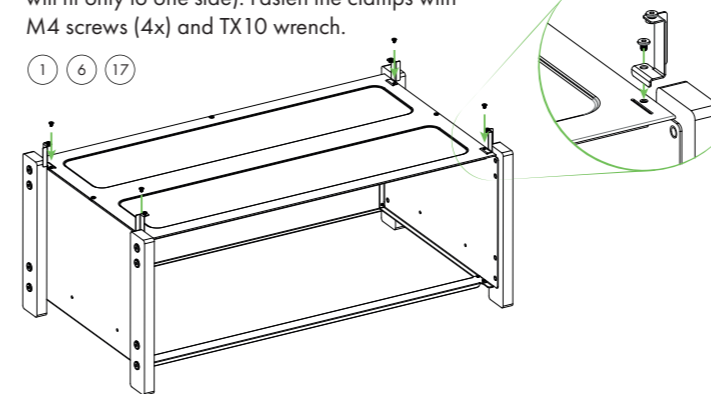
Step 4. Install four wooden legs. Fasten the legs with nuts (16x) and Hex 4 wrench. Fasten the nuts gently at first and when they all have been attached, screw them in tightly.

② ④ ⑰



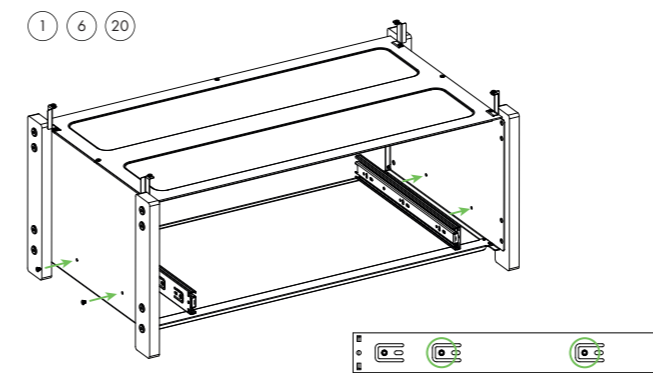
Step 5. Install four stack clamps, 2 left + 2 right side (they are mirrored - will fit only to one side). Fasten the clamps with M4 screws (4x) and TX10 wrench.

① ⑥ ⑰



Step 6. Install two drawer sliders. The sliders are identical. Fasten the sliders with M4 screws (4x) and TX10 wrench. Use the threaded screw holes

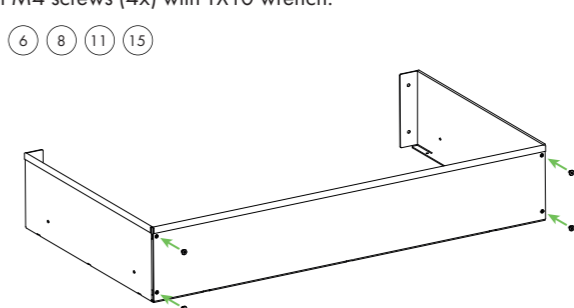
① ⑥ ⑳



Use these holes for the slider fixing

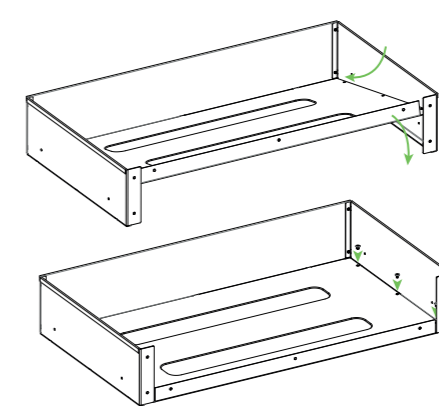
Step 7. Connect drawer side panels to the rear panel. Fasten panels with M4 screws (4x) with TX10 wrench.

① ⑥ ⑧ ⑪ ⑮



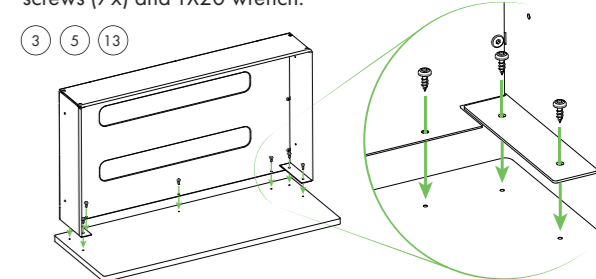
Step 8. Insert drawer bottom panel rear edge first (into the slots). Lay panel flat and fasten it with M4 screws (6x) with TX10 wrench.

① ⑥ ⑫

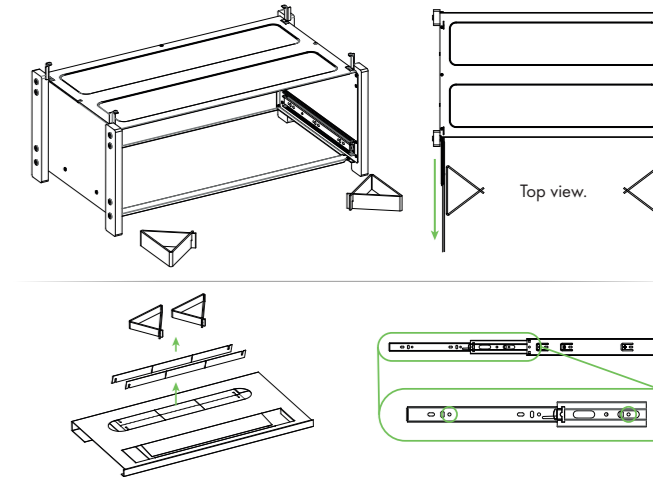


Step 9. Install drawer front wooden panel. Fasten the panel with wood screws (7x) and TX20 wrench.

③ ⑤ ⑬



Step 10. Remove and assemble the cardboard mounting aids from the package filler. Put the cardboard mounting aids in front of the drawer opening and pull out the sliders. This will help to align the drawer later.



Щоб завантажити це керівництво для користувача іншою мовою, завітайте на сайт:

Om deze gebruikershandleiding in een ander taal te downloaden, ga naar:

Aby pobrać tę instrukcję w innym języku, wejdź na:

Скачать эту инструкцию на другом языке можно по ссылке:

Per scaricare il presente manuale in una lingua diversa, andare su:

Um dieses Benutzerhandbuch in einer anderen Sprache herunterzuladen, besuchen Sie:

För att ladda ned denna användarmanual i annat språk gå till:

Para descargar este manual del usuario en otro idioma, visite:

Pour télécharger ce manuel dans une autre langue, allez sur:

下載此用戶手冊的其他語言版本，請訪問：

لتنزيل دليل المستخدم هذا بلغة مختلفة، يرجى زيارة الرابط التالي :

clickandgrow.com/pages/manuals

CLICK & GROW™

Out of Plant Pods? Head to clickandgrow.com to get some fresh ones.

@clickandgrow



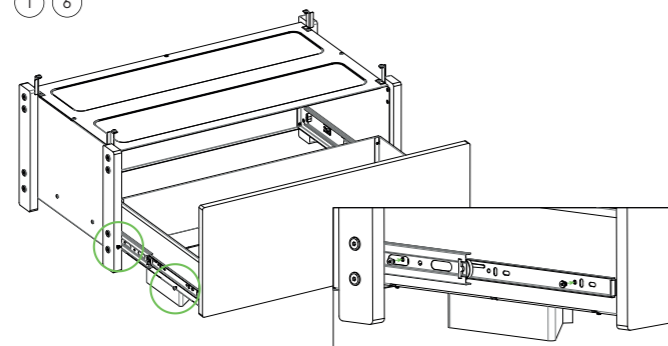
Go to support.clickandgrow.com for help

Boost your plant-skills with the Click & Grow app!



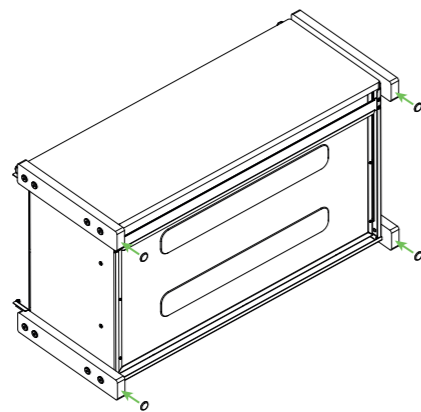
Step 11. Place the drawer between the rails, position the rail holes, and fasten the M4 screws (4x) and TX10 wrench.

① ⑥

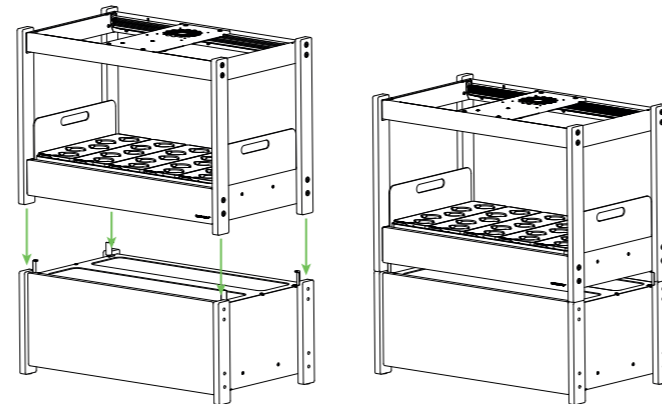


Step 12. Attach the self-adhesive anti-slip pads under the wooden legs.

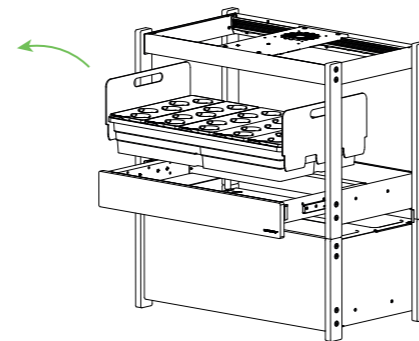
⑱



Step 13. : Remove the padding from the legs of the CG25 to be stacked on the cabinet. Place the CG25 on the base cabinet, between the clamps.

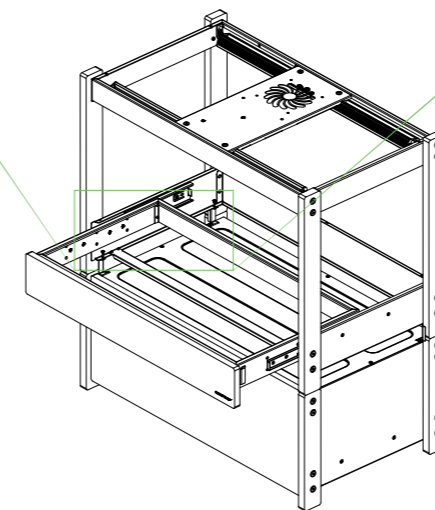
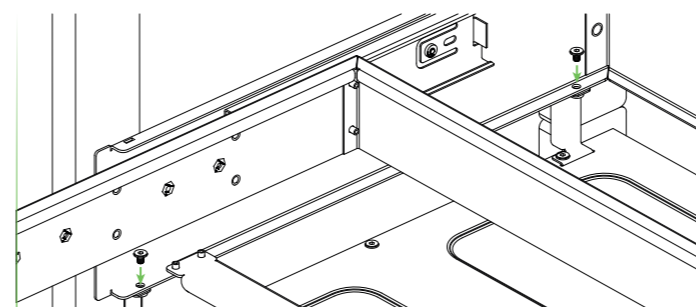


Step 14. Remove CG25's plant trays, water bath, and drawer side panels.



Step 15. Fasten CG25 to cabinet stack clamps with M4 screws (4x) and TX10 wrench on **both sides**. After that's done, reinsert the water bath, plant trays, and drawer side panels. And you are ready to go!

① ⑥



Your storage drawer comes with a full warranty

In the rare case it has any defects, let us know! We'll exchange it for a new one within the first 12 months from purchase.

Contact support@clickandgrow.com or visit our support page at support.clickandgrow.com

**Click & Grow 25
Storage Drawer**

