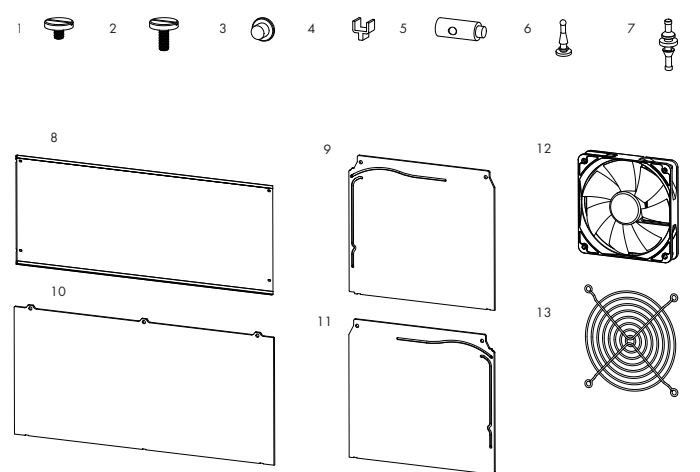


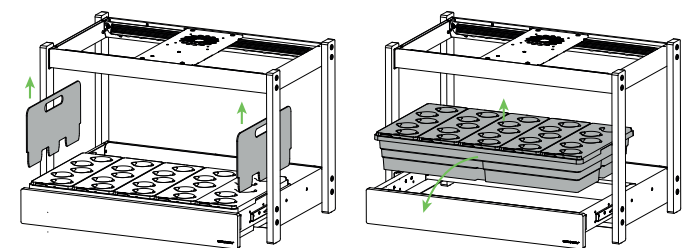
# List of parts



- 1. M4 bolt (short) 7x
- 2. M4 bolt (long) 4x
- 3. Silicone damper 4x
- 4. Y-Clamp 7x
- 5. Door slider pin 4x
- 6. Fan rubber mount B 4x
- 7. Fan rubber mount A 4x
- 8. Door 1x
- 9. Left panel 1x
- 10. Rear panel 1x
- 11. Right panel 1x
- 12. Fan 1x
- 13. Fan grill 1x

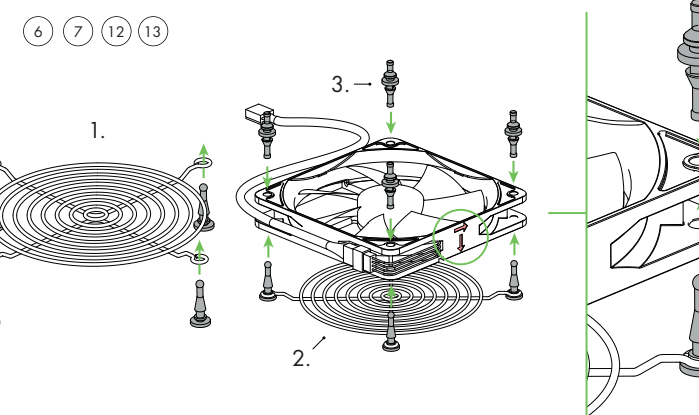
# Assembly instructions

**Step 1.** Disconnect power supply, open the drawer and remove the side panels, plant trays and the water bath.



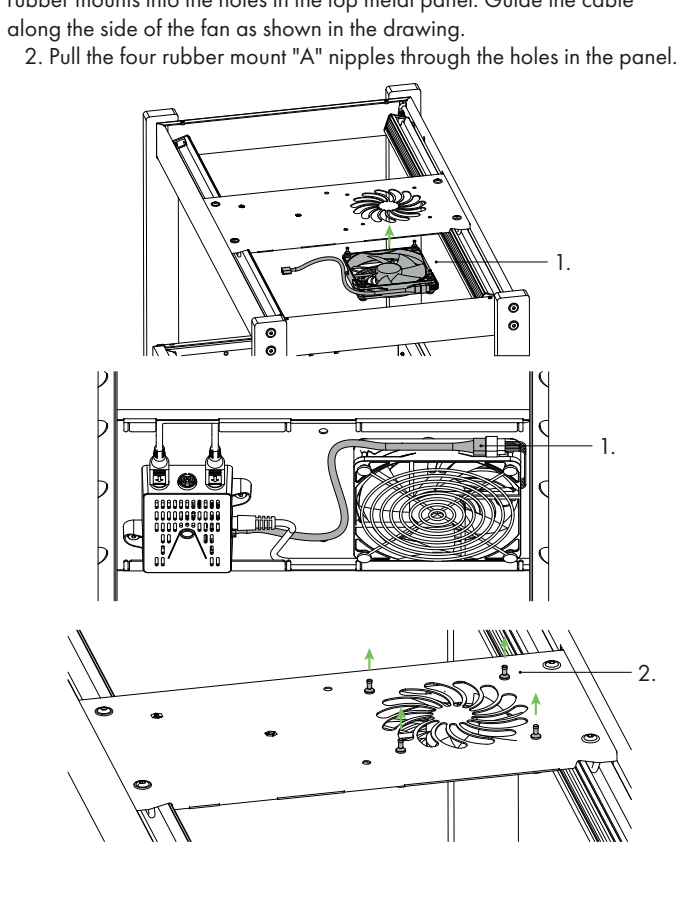
**Step 2.** Attaching the fan grill.  
The fan should be installed to blow air on the plants. Note the arrow marking on the side of the fan.

1. Install four fan rubber mounts "B" through the grill holes.
2. Install the pre-assembled grill to the fan, follow the fan arrow marks.
3. Install four fan rubber mounts "A" through the fan top holes (this might require some force).

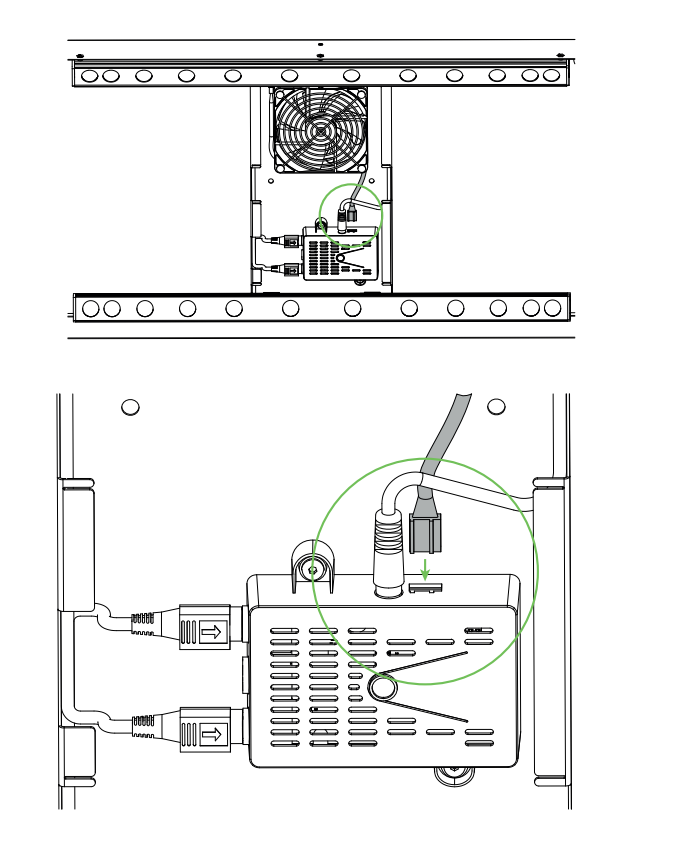


**Step 3.** Fan installation.

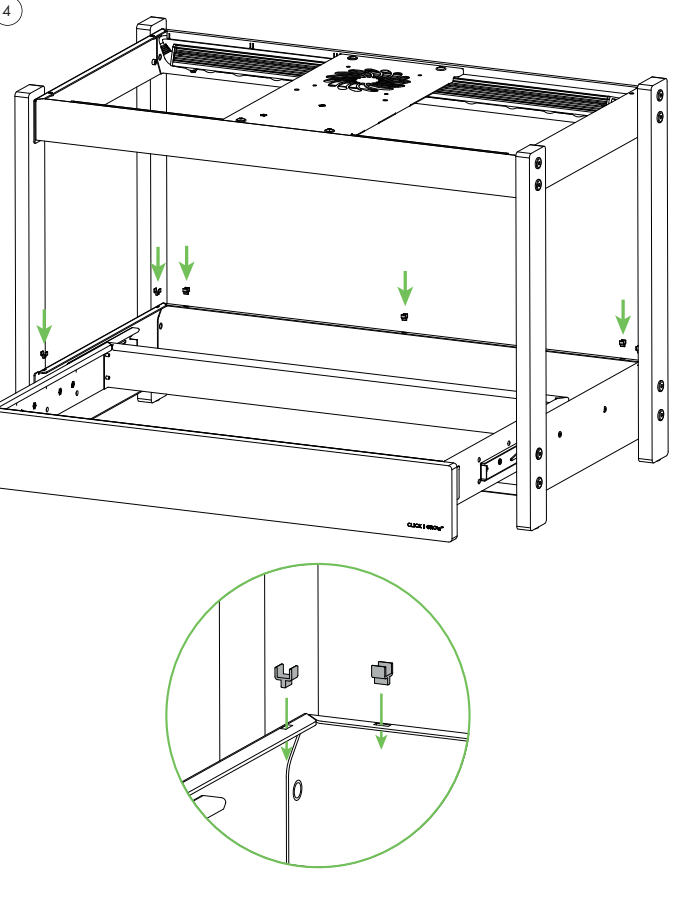
1. Place the pre-assembled fan under the top panel of the farm, fit the rubber mounts into the holes in the top metal panel. Guide the cable along the side of the fan as shown in the drawing.
2. Pull the four rubber mount "A" nipples through the holes in the panel.



**Step 4.** Connect the fan power cord to the control module. The fan power socket is located on the side of the control module. Connecting the cord in the correct orientation requires minimal force. The two tracks on top of the connector should face downwards.

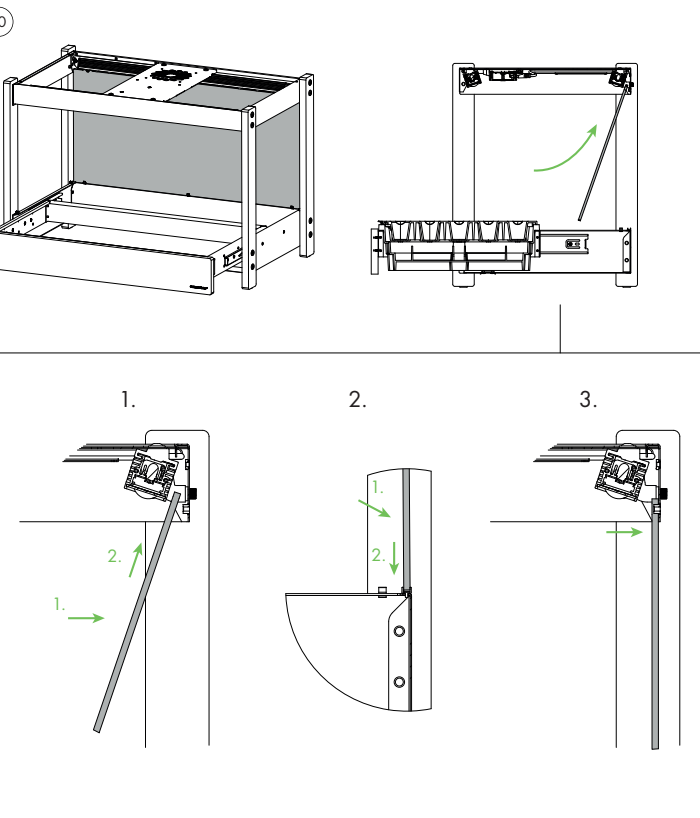


**Step 5.** Insert the Y-clamps (7 pcs.) into the slots on the edge of the bottom frame.

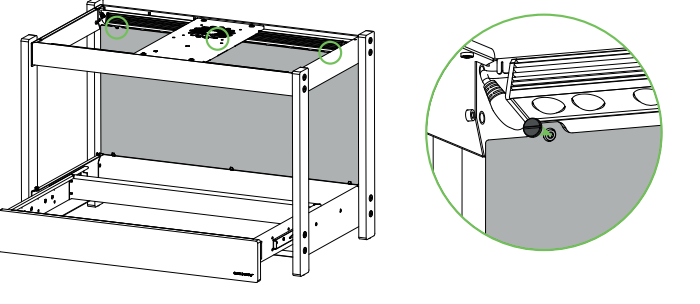


**Step 6.** Rear panel installation.

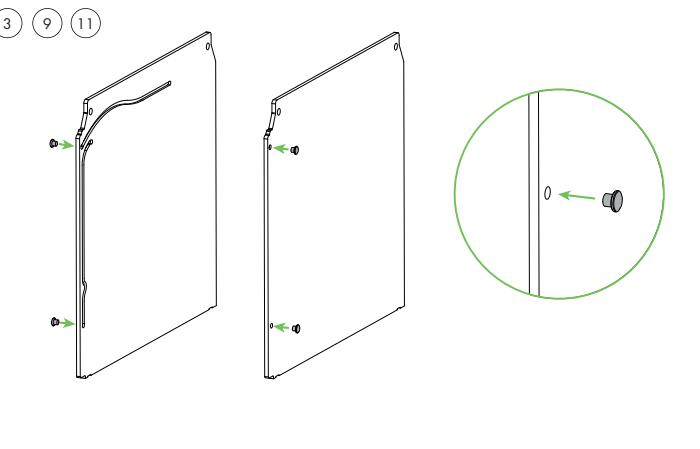
1. Place the top edge of the panel (with holes) between the rear lamp and metal frame.
2. Insert the bottom edge of the panel into Y-clamps (3 pcs.).
3. Align the three holes in the top with the fastening nuts in the frame.



**Step 7.** Fix the panel with M4 shorter bolts (3 pcs.)



**Step 8.** Installation of silicone dampers. Insert the Silicone dampers (2 left + 2 right) into the holes from the outer side of the panels (the grooves in the panels are on the inner side).



Щоб завантажити це керівництво для користувача іншою мовою, завітайте на сайт:

Om deze gebruikershandleiding in een ander taal te downloaden, ga naar:

Aby pobrać tę instrukcję w innym języku, wejdź na:

Скачать эту инструкцию на другом языке можно по ссылке:

Per scaricare il presente manuale in una lingua diversa, andare su:

Um dieses Benutzerhandbuch in einer anderen Sprache herunterzuladen, besuchen Sie:

För att ladda ned denna användarmanual i annat språk gå till:

Para descargar este manual del usuario en otro idioma, visite:

Pour télécharger ce manuel dans une autre langue, allez sur:

下載此用戶手冊的其他語言版本，請訪問：

لتحميل دليل المستخدم هذا بلغة مختلفة، يرجى زيارة الرابط التالي :

[clickandgrow.com/pages/manuals](http://clickandgrow.com/pages/manuals)

CLICK & GROW™

Out of Plant Pods? Head to [clickandgrow.com](http://clickandgrow.com) to get some fresh ones.

@clickandgrow



Go to [support.clickandgrow.com](http://support.clickandgrow.com) for help

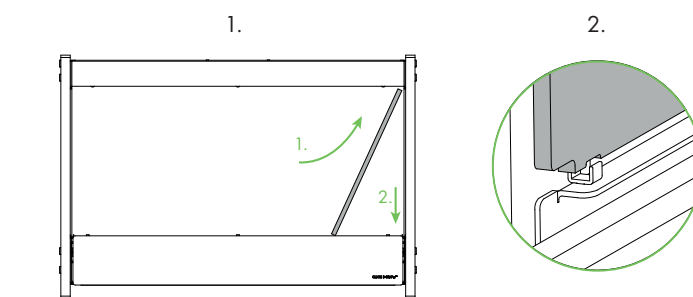
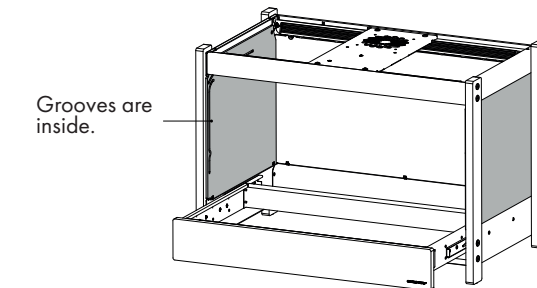
Boost your plant-skills with the Click & Grow app!



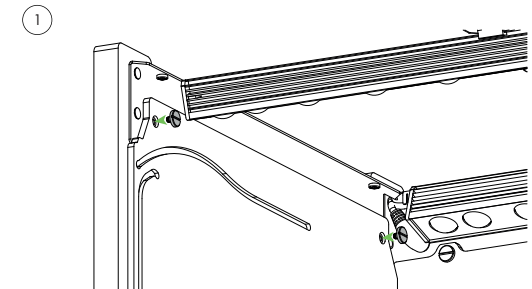
**Step 9.** Installation of side panels. The grooves in the side panels should be facing inwards, one in the top and the other in the front edge (see fig.).

1. Place the top edge of the panel (with holes) between the lamp and metal frame.
2. Insert the bottom of the panel into the Y-clamps (2 pcs.).
3. Align the holes in the top edge with the fastening nuts in the frame.

9 11

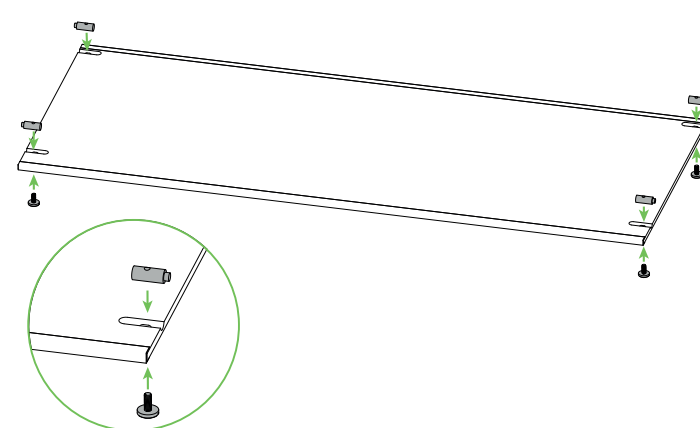


**Step 10.** Fix the panels with shorter M4 bolts (2 left + 2 right).

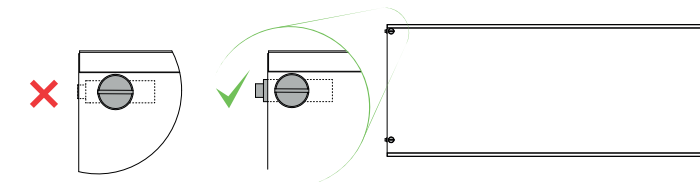


**Step 11.** Door installation. Place slider pins (4 pcs) in the groove slots in the 4 corners of the door glass. Insert M4 (longer) bolt into the slider pin through the hole in the groove slot. The oval shape of the hole allows the pin to move sideways as long as the bolt is not fully tightened.

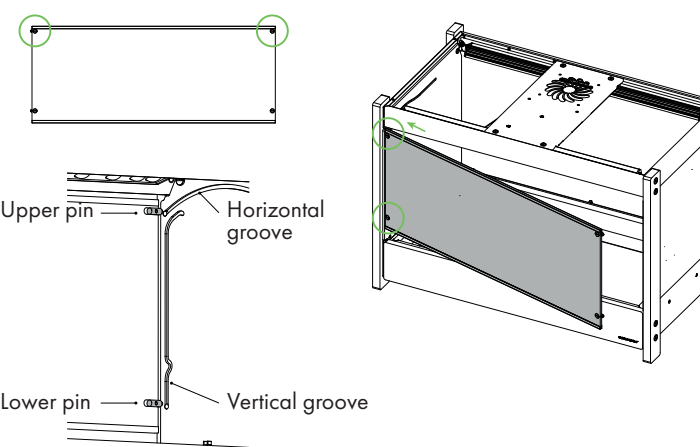
2 5 8



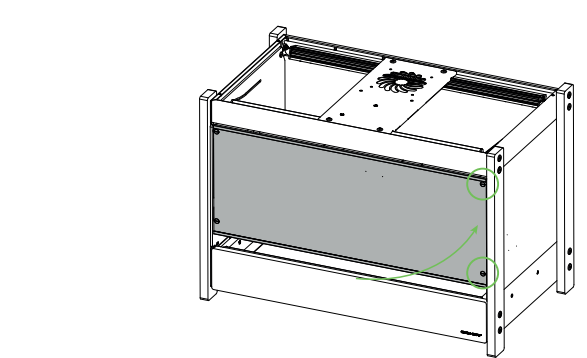
**Step 12.** On one edge of the door glass, move the slider pins to the outermost position and tighten the bolts to fix securely. This side will be placed in position first in the next installation step. Leave the bolts untightened on the other edge so you can slide the pins inwards and outwards.



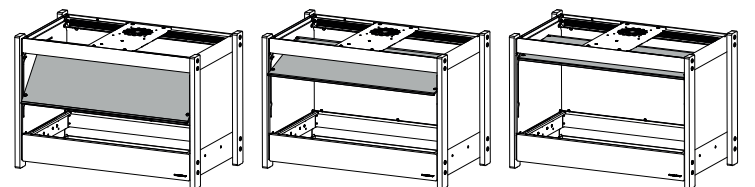
**Step 13.** Flip the door glass so the top side is facing up. Place the edge with the fixed pins against a side glass so that the pins are positioned into the grooves of that side glass. The upper pin goes in the horizontal groove in the upper part of the side, the bottom pin in the vertical groove in the front.



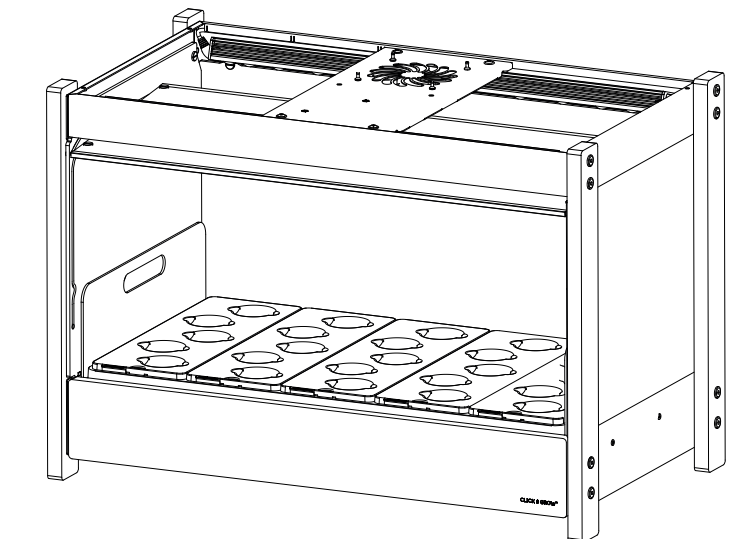
**Step 14.** Slide the loosely attached pins on the other edge of the door glass to innermost position and align with corresponding grooves on the other side glass. Slide the top pin to outermost position and fix the pin into the groove by fully tightening the bolt. Repeat on the bottom pin.



**Step 15.** Lift the door up and down. If the door does not move smoothly, adjust the position of the slider pins slightly. Make sure the pins protrude enough to remain in the grooves in all positions of the door.



**Step 16.** Assemble the water bath, plant trays, and side panels. Reconnect to power. The fan will start and stop automatically, according to the temperature and air humidity levels detected by sensors located inside the controller.



**Your glass accessory kit comes with a full warranty**

In the rare case it has any defects, let us know! We'll exchange it for a new one within the first 12 months from purchase.

Contact [support@clickandgrow.com](mailto:support@clickandgrow.com) or visit our support page at [support.clickandgrow.com](http://support.clickandgrow.com)

## Click & Grow 25 Glass Accessory Kit

