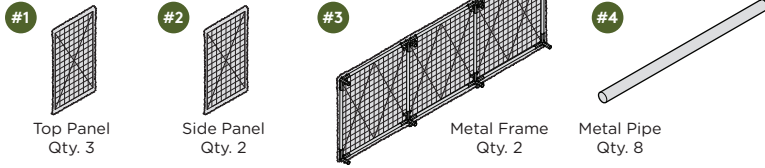
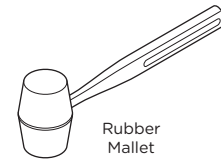


62"x13"x22" Artificial Boxwood Hedge Assembly Instructions

Contents



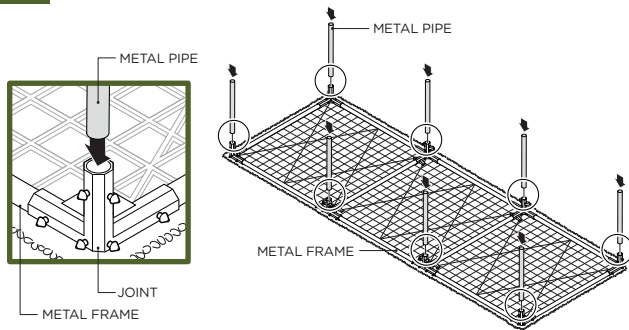
Optional Tools



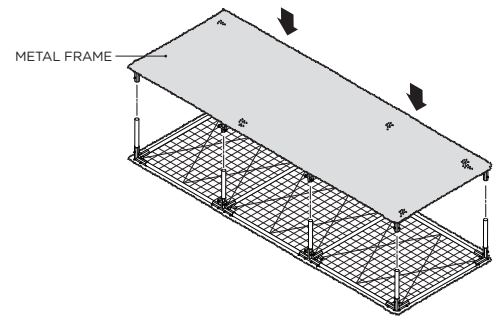
Assembly

CAUTION: Not meant to support weight, do not sit or stand on, or place heavy objects on top of the hedge. Assembly not recommended in cold weather conditions, as cold temperatures may constrict flexibility of panels.

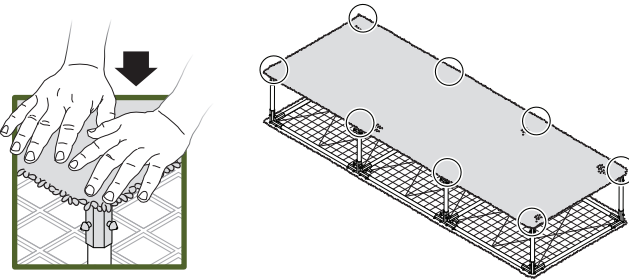
1 Insert metal pipes into joints on metal frame.



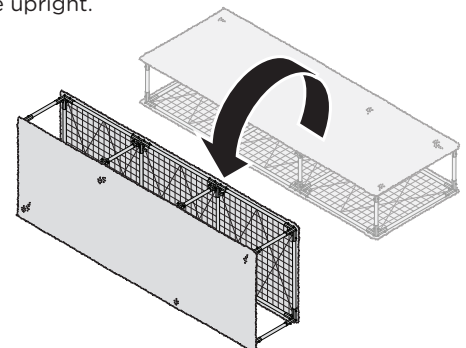
2 Connect opposite frame to pipes. Greenery should be pointed upwards to match its natural growth pattern.



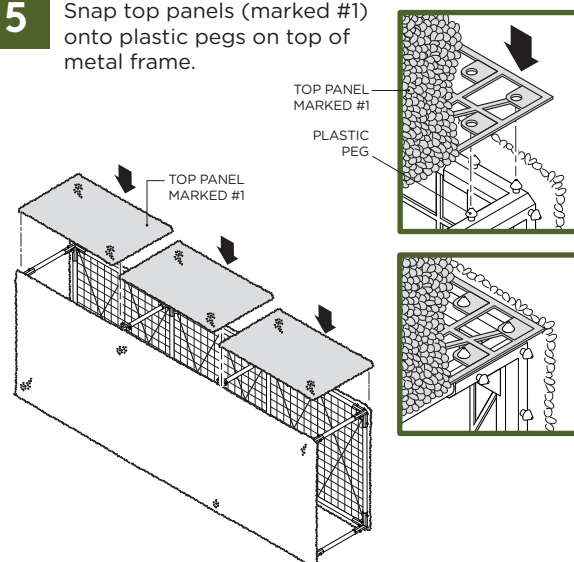
3 Using pressure, push down on exterior sides of joints to ensure a tight fit. If available, a rubber mallet may also be used to gently tap joints together.



4 Flip frame upright.



5 Snap top panels (marked #1) onto plastic pegs on top of metal frame.



6 Making sure greenery is pointing upwards, snap side panels (marked #2) onto plastic pegs on sides of hedge.

