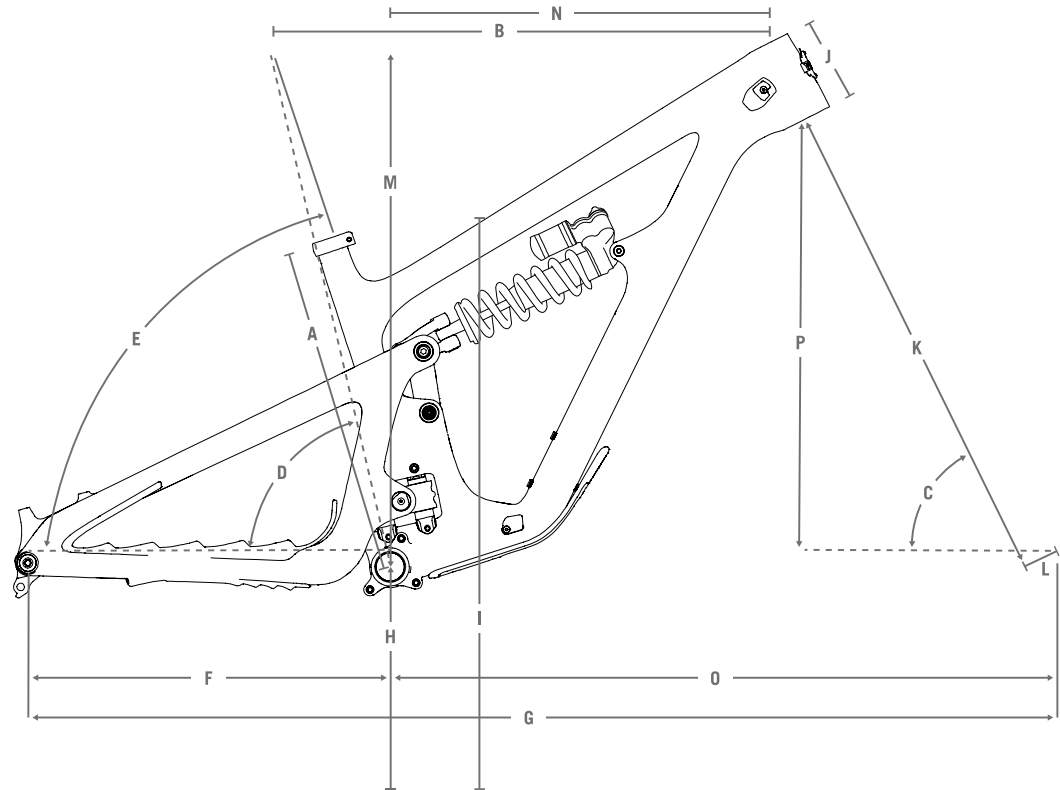


# SB165 GEOMETRY

	170MM FORK	SM	MD	LG	XL
A	SEAT TUBE LENGTH	365	400	440	470
B	EFF. TOP TUBE LENGTH	573	604	625	653
C	HEAD TUBE ANGLE°	63.5	63.5	63.5	63.5
D	EFF. SEAT TUBE ANGLE°	76.8	76.9	76.9	76.9
E	ACTUAL SEAT TUBE ANGLE°	71.5	72.0	72.1	72.6
F	CHAINSTAY LENGTH	433	435	437	439
G	WHEELBASE	1207	1242	1266	1298
H	ESTIMATED BB HEIGHT	345	345	345	345
I	STANDOVER	730	738	744	750
J	HEADTUBE LENGTH	95	101	107	118
K	FORK (AXLE TO CROWN)	588	588	588	588
L	FORK (OFFSET)	44	44	44	44
M	STACK	620	625	630	640
N	REACH	430	460	480	505
O	FRONT CENTER	774	807	829	859
P	VERTICAL FORK TRAVEL	152	152	152	152



## FIT

SMALL	5'1" - 5'7"
MEDIUM	5'5" - 5'11"
LARGE	5'10" - 6'3"
X-LARGE	6'1" - 6'7"