

YES New school geometry is responsive and designed to feel like an extension of the rider.



**140MM**  
FRAME TRAVEL

**160MM**  
FORK TRAVEL

**27.5"**  
WHEEL SIZE

**65°**  
HEAD TUBE ANGLE

# TURQ

TURQ Series carbon fiber frame, Switch Infinity suspension technology, press-fit BB92, fully enclosed internal cable routing, 148mm x 12mm BOOST dropouts, sealed Enduro Max pivot bearings, integrated derailleur hanger, and axle.

	T1	T2	T3
<b>MSRP</b>	\$7,000 (FRAME ONLY: \$3,600)	\$7,500 (FRAME ONLY: \$3,600)	\$8,700 (FRAME ONLY: \$3,600)
<b>FORK</b>	FOX FACTORY 36 GRIP 2/160MM	FOX FACTORY 36 GRIP 2/160MM	FOX FACTORY 36 GRIP 2/160MM
<b>SHOCK</b>	FOX FACTORY DPX2, 210 X 55MM	FOX FACTORY DPX2, 210 X 55MM	FOX FACTORY DPX2, 210 X 55MM
<b>TIRE (F)</b>	MAXXIS MINION DHF 2.6 EXO	MAXXIS MINION DHF 2.6 EXO	MAXXIS MINION DHF 2.6 EXO
<b>TIRE (R)</b>	MAXXIS REKON 2.6 EXO	MAXXIS REKON 2.6 EXO	MAXXIS REKON 2.6 EXO
<b>ROTOR (F)</b>	SHIMANO 203	SRAM CENTERLINE 200	SRAM CENTERLINE 200
<b>ROTOR (R)</b>	SHIMANO 180	SRAM CENTERLINE 180	SRAM CENTERLINE 180
<b>HEADSET</b>	CANE CREEK 40 INTEGRATED	CANE CREEK 40 INTEGRATED	CANE CREEK 110 INTEGRATED
<b>WHEELSET</b>	DT SWISS XM1700 30MM	DT SWISS XM1700 30MM	DT SWISS XM1700 30MM
<b>BB</b>	SHIMANO XT BB92	SRAM DUB BB92	SRAM DUB BB92
<b>GRIPS</b>	ODI ELITE PRO	ODI ELITE PRO	ODI ELITE PRO
<b>BAR</b>	YETI CARBON 35X780MM	YETI CARBON 35X780MM	YETI CARBON 35X780MM
<b>STEM</b>	RACE FACE AFFECT R 35X50	RACE FACE AFFECT R 35X50	RACE FACE TURBINE R 35X50MM
<b>CRANK</b>	SHIMANO XT 30T 170MM	SRAM X1 EAGLE 30T 170MM	SRAM X01 EAGLE 30T 170MM
<b>SEAT</b>	SILVERADO CUSTOM	SILVERADO CUSTOM	ERGON SADDLE
<b>BRAKES</b>	SHIMANO XT 4 PISTON	SRAM G2 RSC	SRAM G2 ULTIMATE
<b>DERAILLEUR</b>	SHIMANO XT	SRAM X01 EAGLE	SRAM XX1 EAGLE
<b>CASSETTE</b>	SHIMANO XT 10-51	SRAM X01 EAGLE 1295 10-52	SRAM XX1 EAGLE 1299 10-52
<b>CHAIN</b>	SHIMANO XT	SRAM GX EAGLE	SRAM XX1 EAGLE
<b>SHIFTER</b>	SHIMANO XT	SRAM X01 EAGLE	SRAM XX1 EAGLE
<b>POST*</b>	FOX TRANSFER	FOX TRANSFER	FOX TRANSFER FACTORY
<b>UPGRADES +</b>	DT SWISS EXC 1501 30MM CARBON	DT SWISS EXC 1501 30MM CARBON, AXS	DT SWISS EXC 1501 30MM CARBON, AXS

\* FOX TRANSFER 31.6MM / SM: 125MM, MD: 150MM, LG-XL: 175MM

**C/SERIES**

C-Series carbon fiber frame, Switch Infinity suspension technology, press-fit BB92, fully enclosed internal cable routing, 148mm x 12mm BOOST dropouts, sealed Enduro Max pivot bearings, integrated derailleur hanger, and axle.

	<b>C1</b>	<b>C2</b>
<b>MSRP</b>	\$5,200	\$5,500
<b>FORK</b>	FOX PERFORMANCE 36/160MM	FOX PERFORMANCE 36/160MM
<b>SHOCK</b>	FOX PERFORMANCE DPX2, 210 X 55MM	FOX PERFORMANCE DPX2, 210 X 55MM
<b>TIRE (F)</b>	MAXXIS MINION DHF 2.6 EXO	MAXXIS MINION DHF 2.6 EXO
<b>TIRE (R)</b>	MAXXIS REKON 2.6 EXO	MAXXIS REKON 2.6 EXO
<b>ROTOR (F)</b>	SHIMANO 203	SRAM CENTERLINE 200
<b>ROTOR (R)</b>	SHIMANO 180	SRAM CENTERLINE 180
<b>HEADSET</b>	CANE CREEK 40 INTEGRATED	CANE CREEK 40 INTEGRATED
<b>WHEELSET</b>	DT SWISS M1900 30MM	DT SWISS M1900 30MM
<b>BB</b>	SHIMANO XT BB92	SRAM DUB BB92
<b>GRIPS</b>	ODI ELITE PRO	ODI ELITE PRO
<b>BAR</b>	RACE FACE AEEFFECT R 35X780MM	RACE FACE AEEFFECT R 35X780MM
<b>STEM</b>	RACE FACE RIDE 35X50MM	RACE FACE RIDE 35X50MM
<b>CRANK</b>	SHIMANO SLX 30T 170MM	SRAM GX EAGLE 30T 170MM
<b>SEAT</b>	SILVERADO CUSTOM	SILVERADO CUSTOM
<b>BRAKES</b>	SHIMANO DEORE 4 PISTON	SRAM G2 R
<b>DERAILLEUR</b>	SHIMANO SLX	SRAM GX EAGLE
<b>CASSETTE</b>	SHIMANO SLX 10-51	SRAM GX EAGLE 1275 10-52
<b>CHAIN</b>	SHIMANO SLX	SRAM GX EAGLE
<b>SHIFTER</b>	SHIMANO SLX	SRAM GX EAGLE
<b>POST*</b>	FOX TRANSFER	FOX TRANSFER
<b>UPGRADES +</b>	FACTORY SUSPENSION	FACTORY SUSPENSION, AXS

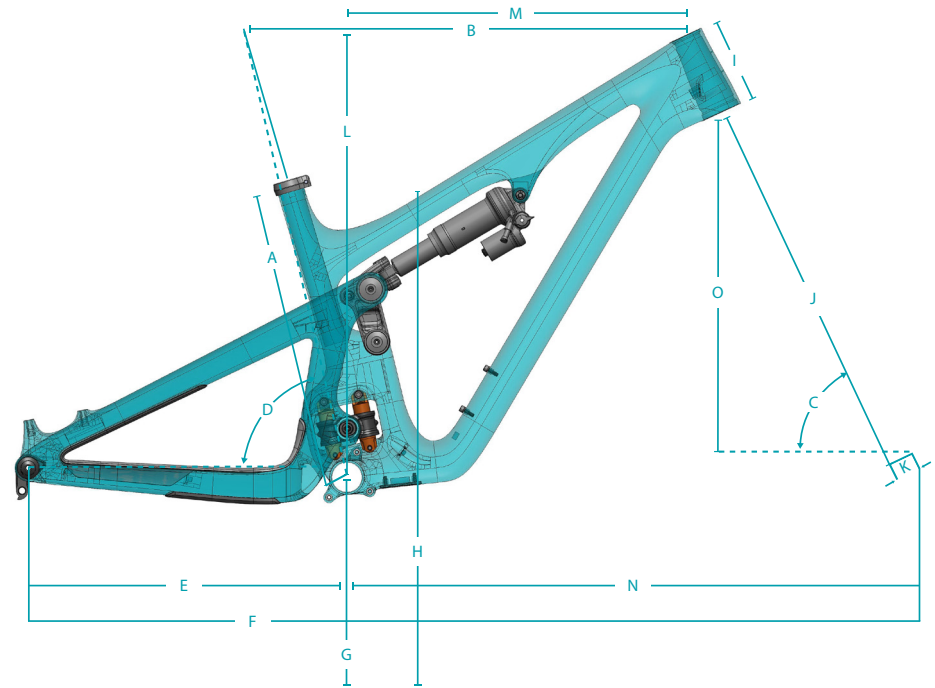


RON / SMOKE / TURQ

\* FOX TRANSFER 31.6MM / SM: 125MM, MD: 150MM, LG-XL: 175MM

# GEOMETRY

	160MM FORK	XS	SM	MD	LG	XL
<b>A</b>	<b>SEAT TUBE LENGTH</b>	355.0	380.0	410.0	450.0	495.0
<b>B</b>	<b>TOPTUBE LENGTH</b>	538.2	567.0	598.5	621.5	649.4
<b>C</b>	<b>HEADTUBE ANGLE°</b>	65.0	65.0	65.0	65.0	65.0
<b>D</b>	<b>EFF. SEATTUBE ANGLE°</b>	77.1	77.0	77.0	77.0	76.9
<b>E</b>	<b>CHAINSTAY LENGTH</b>	433.0	433.0	433.0	433.0	433.0
<b>F</b>	<b>WHEELBASE</b>	1144.8	1175.9	1208.2	1232.9	1262.6
<b>G</b>	<b>ESTIMATED BB HEIGHT</b>	339.9	339.9	339.9	339.9	339.9
<b>H</b>	<b>STANDOVER</b>	702.4	707.6	710.0	712.3	714.7
<b>I</b>	<b>HEADTUBE LENGTH</b>	95.5	109.9	115.4	126.4	137.5
<b>J</b>	<b>FORK (AXLE TO CROWN)</b>	549.1	549.1	549.1	549.1	549.1
<b>K</b>	<b>FORK (OFFSET)</b>	37.5	37.5	37.5	37.5	37.5
<b>L</b>	<b>STACK</b>	581.9	594.9	599.9	609.9	619.9
<b>M</b>	<b>REACH</b>	405.1	430.1	460.1	480.1	505.1
<b>N</b>	<b>FRONT CENTER</b>	711.8	742.9	775.2	799.9	829.6
<b>O</b>	<b>VERTICAL WHEEL TRAVEL</b>	145.0	145.0	145.0	145.0	145.0



## FIT

<b>X-SMALL</b>	4'11" - 5'3"
<b>SMALL</b>	5'1" - 5'7"
<b>MEDIUM</b>	5'5" - 5'11"
<b>LARGE</b>	5'10" - 6'3"
<b>X-LARGE</b>	6'1" - 6'7"