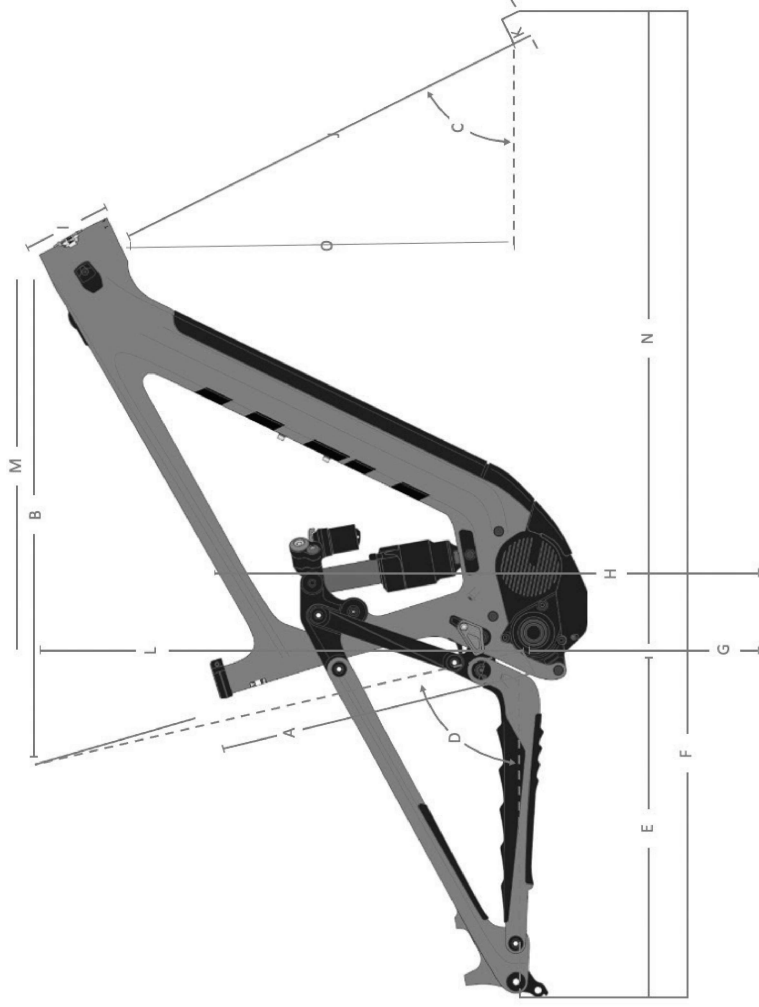


GEOMETRY

	SM	MD	LG	XL
170MM FORK				
A SEAT TUBE LENGTH	380	410	450	495
B TOPTUBE LENGTH	561	592	613	642
C HEADTUBE ANGLE°	64.5	64.5	64.5	64.5
D EFF. SEATTUBE ANGLE°	78	78	78	78
E CHAINSTAY LENGTH	446	446	446	446
F WHEELBASE	1209	1240	1262	1292
G ESTIMATED BB HEIGHT	350	350	350	350
H STANDOVER	754	754	754	754
I HEADTUBE LENGTH	95	98	104	115
J FORK (AXLE TO CROWN)	584	584	584	584
K FORK (OFFSET)	44	44	44	44
L STACK	617	620	625	635
M REACH	430	460	480	505
N FRONT CENTER	762	794	816	846
O VERTICAL FORK TRAVEL	153	153	153	153



FIT

SMALL 5'1" - 5'7"

MEDIUM 5'5" - 5'11"

LARGE 5'10" - 6'3"

X-LARGE 6'1" - 6'7"

TURQ

T1 TURQ SERIES KIT

- TURQ Series carbon fiber frame, Sixfinity™ suspension technology
- E-Specific FOX 38 Factory GRIP 2 Fork
- In-house custom tuned Float X2 made specifically for the 160E
- Shimano XTR cranks and 160mm crank arms and a 34 tooth chainring
- Proprietary Yeti E-MTB specific thermoplastic handlebar
- Reverb AXS dropper
- MAXXIS Double Down rear tire and EXO+ front tire
- 220 (F) and 200 (R) rotor

EST. MSRP	\$12,700 USD* / \$13,600 W/CARBON WHEELS*
FRAME MATERIAL	TURQ SERIES
FORK	FOX FACTORY 38 GRIP 2/170MM E-TUNE
SHOCK	FOX FACTORY FLOAT X2
WHEELSET	DT SWISS EX1700 30MM
REAR DER	SHIMANO XT
SHIFT	SHIMANO XT
CRANK	SHIMANO EM900 34T 160MM
CASSETTE	SHIMANO XT 10-51
CHAIN	SHIMANO XT
BRAKES	SRAM CODE RSC
ROTOR F/R	SRAM CENTERLINE 220/ SRAM CENTERLINE 200
POST	SRAM REVERB AXS 31.6MM
TIRE (F)	MAXXIS ASSEGAI 2.5 EXO+
TIRE (R)	MAXXIS MINION DHR II 2.4 DD
HEADSET	CANE CREEK 110 INTEGRATED
BAR	YETI CARBON 35X800MM EBIKE
STEM	BURGTec ENDURO MK3 35X50MM**
GRIPS	ODI ELITE PRO
SADDLE	SILVERADO CUSTOM
CHAIN GUIDE	ONEUP TOP GUIDE
BATTERY	SHIMANO 630WH INTERNAL BATTERY
DRIVE UNIT	SHIMANO DU-EP800
DISPLAY	SHIMANO EM-800
ASSIST SWITCH	SHIMANO EM800L
CHARGER	SHIMANO E6002

*Price subject to change

**Orders may ship with RaceFace

C/SERIES

C1 TURQ SERIES KIT

- TURQ Series carbon fiber frame, Sixfinity™ suspension technology
- E-Specific FOX 38 Performance fork
- In-house custom tuned Float X2 made specifically for the 160E
- 34-Tooth chainring and 160mm crank arms
- Proprietary Yeti E-MTB specific thermoplastic handlebar
- OneUp dropper
- MAXXIS Double Down rear tire and EXO+ front tire
- 220 (F) and 200 (R) rotor

EST. MSRP	\$10,100 USD* / \$11,000 W/CARBON WHEELS*
FRAME MATERIAL	TURO SERIES
FORK	FOX PERFORMANCE 38/170MM E-TUNE
SHOCK	FOX PERFORMANCE FLOAT X
WHEELSET	DT SWISS E1900 30MM
REAR DER	SHIMANO SLX
SHIFT	SHIMANO SLX
CRANK	SHIMANO EM600 34T 160MM
CASSETTE	SHIMANO SLX 10-51
CHAIN	SHIMANO SLX
BRAKES	SRAM CODE R
ROTOR F/R	SRAM CENTERLINE 220/ SRAM CENTERLINE 200
POST	ONEUP DROPPER POST - V2 31.6MM
TIRE (F)	MAXXIS ASSEGAI 2.5 EXO+
TIRE (R)	MAXXIS MINION DHR II 2.4 DD
HEADSET	CANE CREEK 40 INTEGRATED
BAR	YETI CARBON 35X800MM EBIKE
STEM	BURGTec ENDURO MK3 35X50MM**
GRIPS	ODI ELITE PRO
SADDLE	SILVERADO CUSTOM
CHAIN GUIDE	ONEUP TOP GUIDE
BATTERY	SHIMANO 630WH INTERNAL BATTERY
DRIVE UNIT	SHIMANO EP8
DISPLAY	SHIMANO EM800
ASSIST SWITCH	SHIMANO EM800L
CHARGER	SHIMANO E6002

*Price subject to change

**Orders may ship with RaceFace