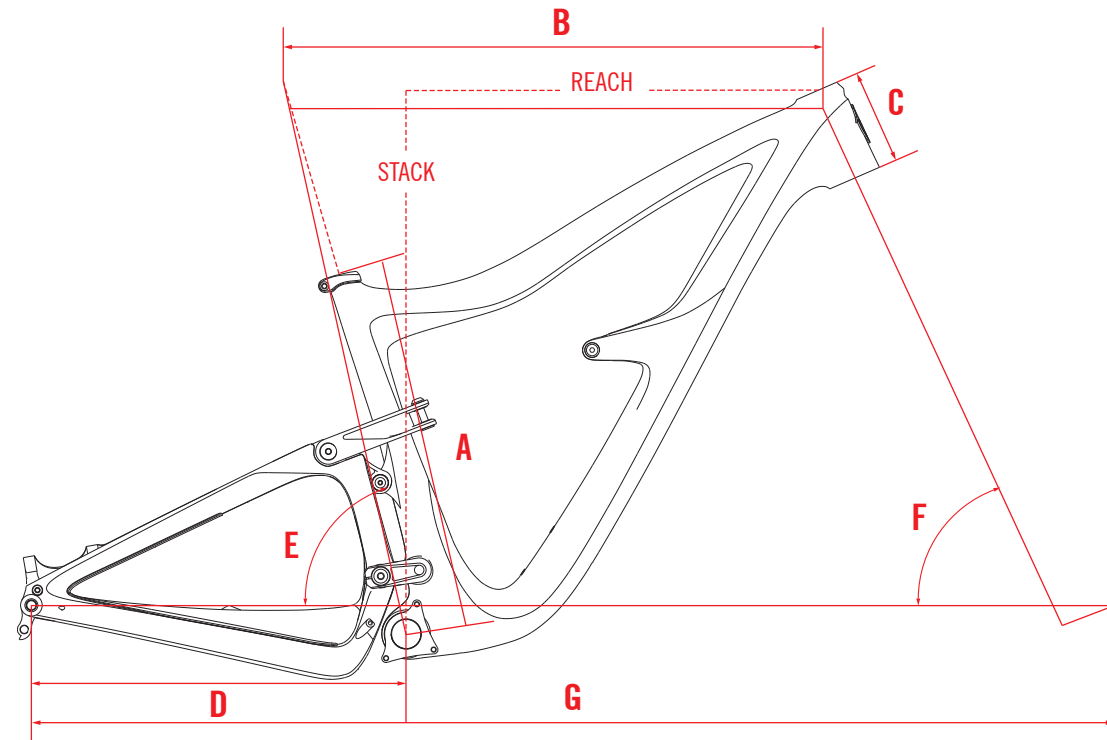


GEOMETRY



SIZE		SMALL	MEDIUM	LARGE	X-LARGE
SEATTUBE	A	14"	14.5"	16.5	18.5"
TOPTUBE	B	573mm	603mm	632mm	655mm
HEADTUBE	C	90mm	100mm	110mm	120mm
CHAINSTAY	D	435mm	435mm	435mm	435mm
SEAT ANGLE	E	77°	77°	76°	76°
HEAD ANGLE	F	64.9°	64.9°	64.9°	64.9°
WHEELBASE	G	1187mm	1219mm	1238mm	1267mm
STACK		609mm	619mm	628mm	640mm
REACH		433mm	460mm	475mm	500mm
STANDOVER		703mm	733mm	740mm	752mm
BB HEIGHT		341mm	341mm	341mm	341mm
TRAIL		118mm	118mm	118mm	118mm

ripmo

du★link

V5 KINEMATICS

44_{MM}

CUSTOM OFFSET FORK

64.9°

HEAD ANGLE

118_{MM}

TRAIL

148_{MM}

BOOST REAR

435_{MM}

CHAINSTAYS

