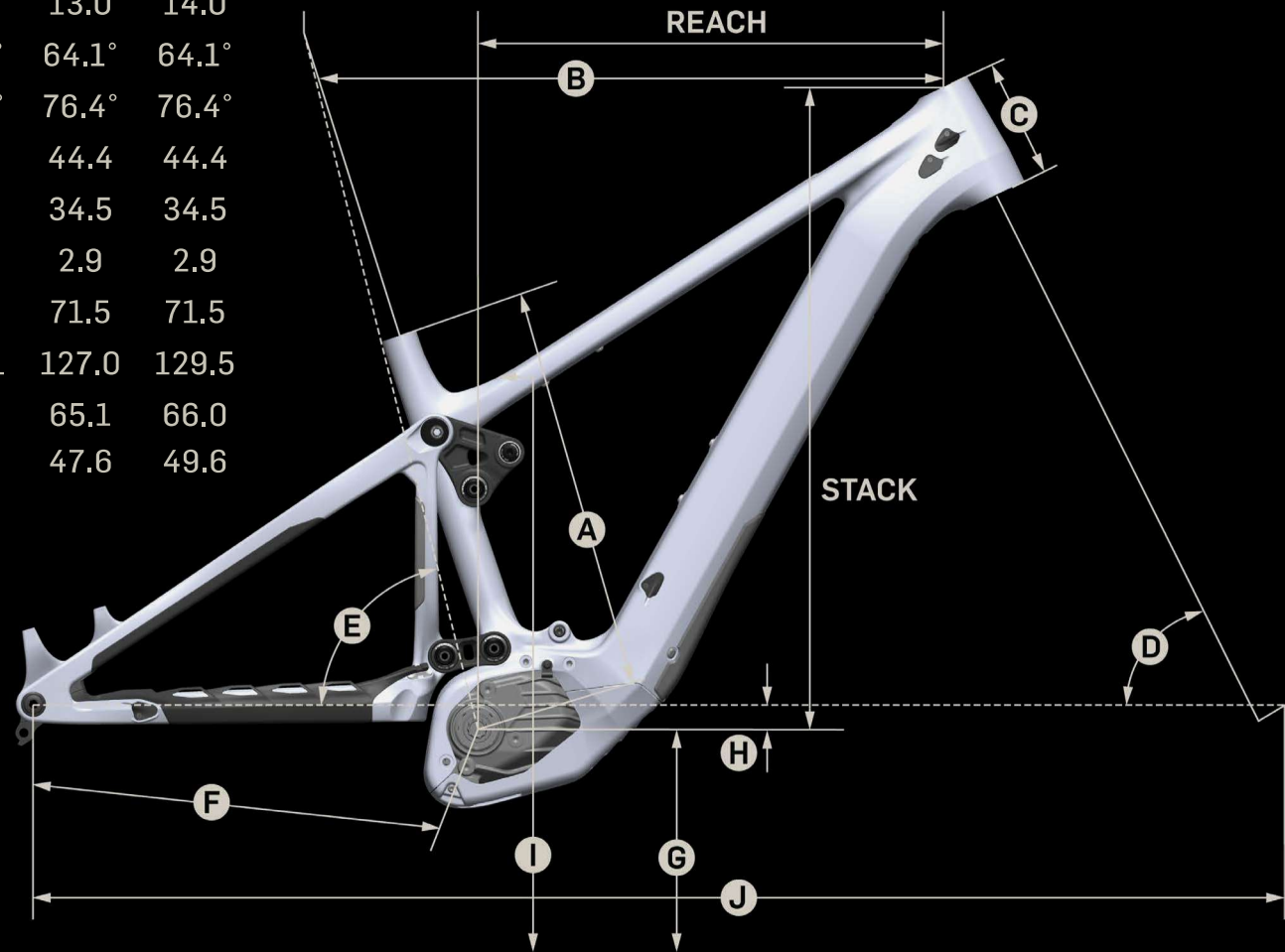
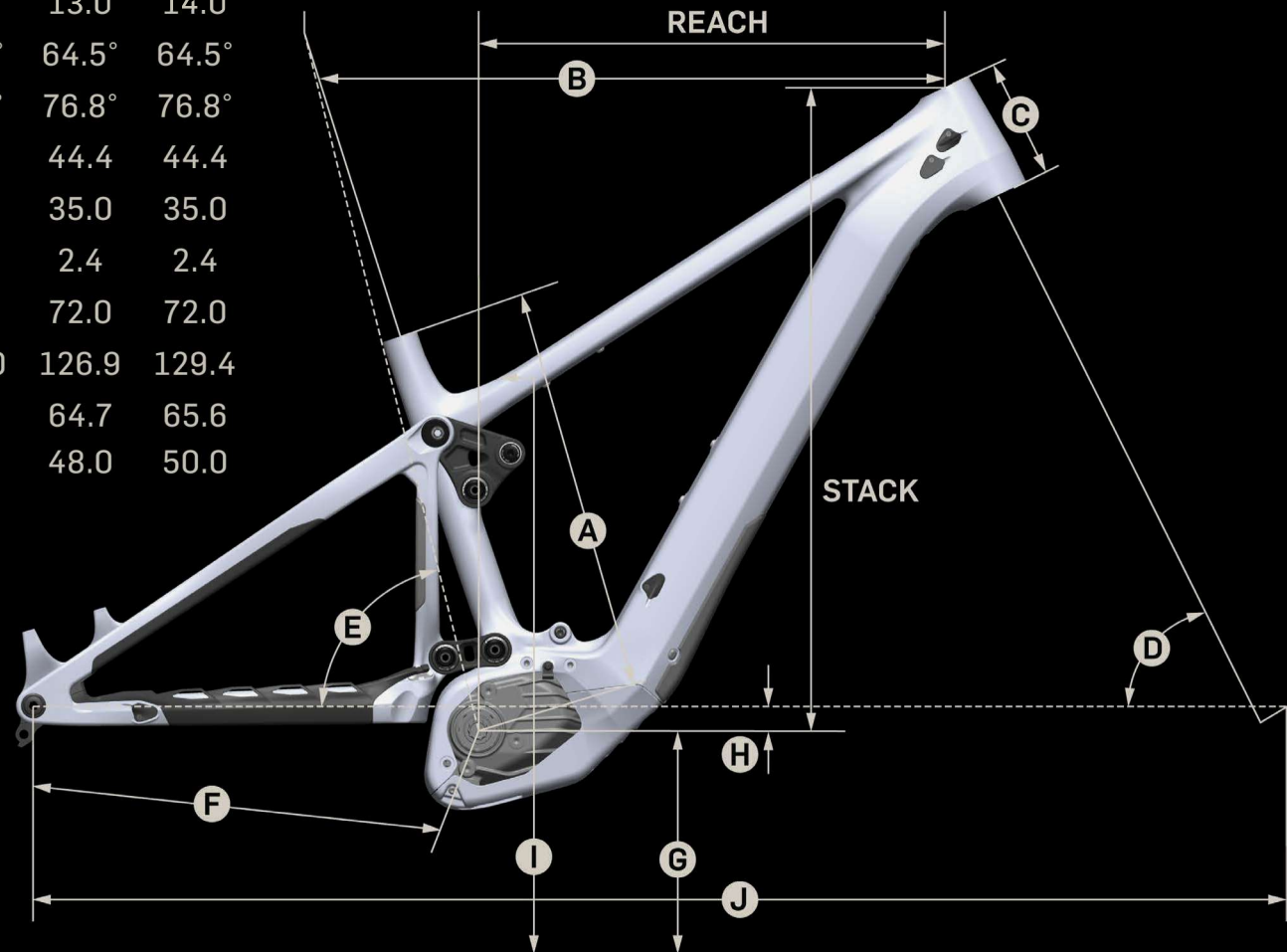


SIZES (LOW)	SM	MD	LG	XL
A Seat Tube Length (C-T)	37.8	39.9	43.2	47.0
B Top Tube Length (Eff.)	59.9	63.1	64.9	67.1
C Head Tube Length	11.0	12.0	13.0	14.0
D Head Tube Angle	64.1°	64.1°	64.1°	64.1°
* E Seat Tube Angle (Eff.)	76.4°	76.4°	76.4°	76.4°
F Chain Stay Length	44.4	44.4	44.4	44.4
G Bottom Bracket Height	34.5	34.5	34.5	34.5
H Bottom Bracket Drop	2.9	2.9	2.9	2.9
I Standover Height	71.5	71.5	71.5	71.5
J Wheelbase	121.7	125.1	127.0	129.5
Stack	63.2	64.2	65.1	66.0
Reach	43.1	46.1	47.6	49.6



*Effective seat tube angles are calculated at an average saddle height for each size frame.

SIZES (HIGH)	SM	MD	LG	XL
A Seat Tube Length (C-T)	37.8	39.9	43.2	47.0
B Top Tube Length (Eff.)	59.8	63.0	64.7	67.0
C Head Tube Length	11.0	12.0	13.0	14.0
D Head Tube Angle	64.5°	64.5°	64.5°	64.5°
* E Seat Tube Angle (Eff.)	76.8°	76.8°	76.8°	76.8°
F Chain Stay Length	44.4	44.4	44.4	44.4
G Bottom Bracket Height	35.0	35.0	35.0	35.0
H Bottom Bracket Drop	2.4	2.4	2.4	2.4
I Standover Height	72.0	72.0	72.0	72.0
J Wheelbase	121.6	125.0	126.9	129.4
Stack	62.9	63.8	64.7	65.6
Reach	43.5	46.5	48.0	50.0



*Effective seat tube angles are calculated at an average saddle height for each size frame.