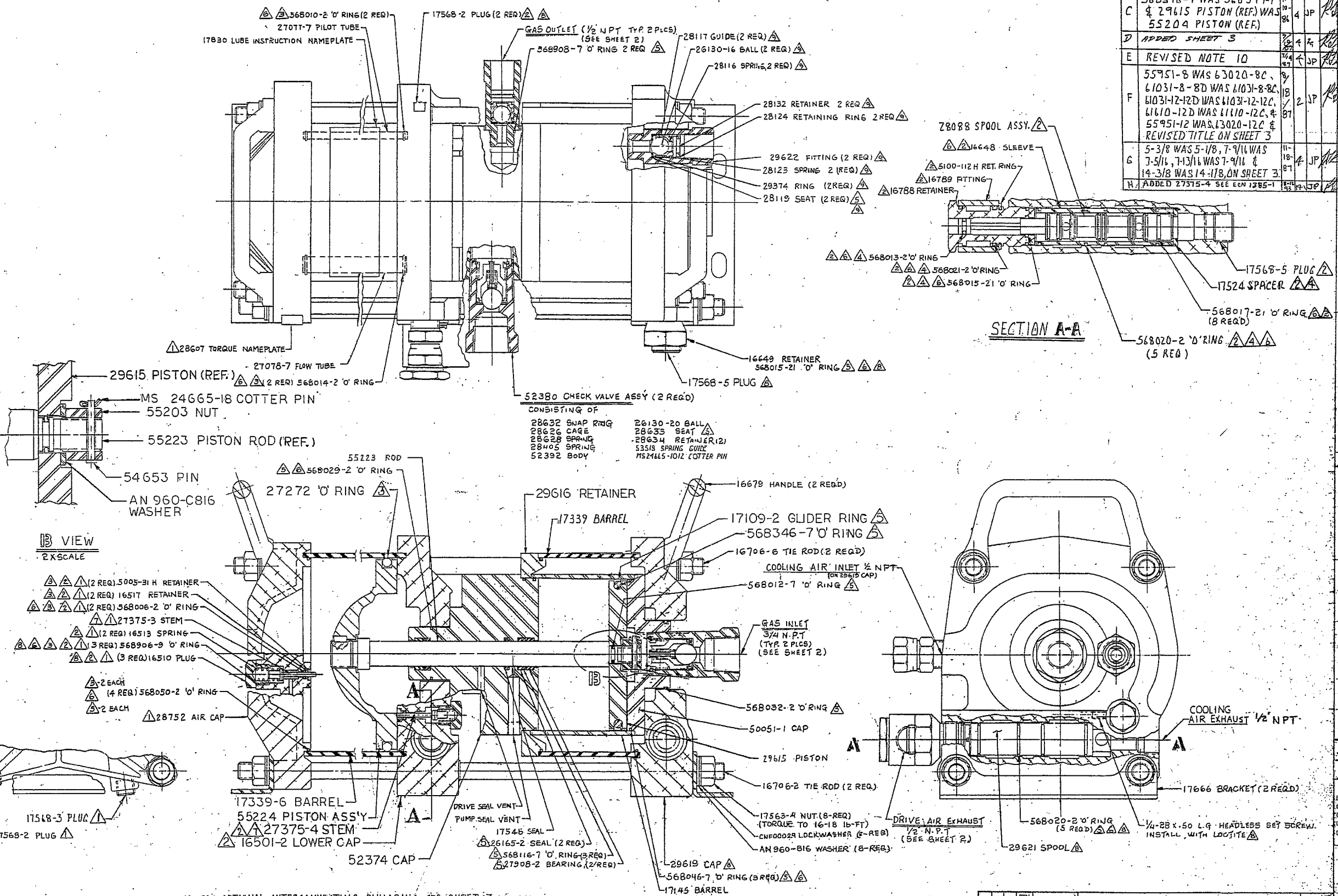


THIS DRAWING EMBODIES A CONFIDENTIAL PROPRIETARY DESIGN. ALL RIGHTS FOR REPRODUCTION, MANUFACTURING OR PATENTS ARE RESERVED BY THE HASKEL ENGINEERING & SUPPLY CO.

REVISED PER ECO 7709		4-13-81	PS	REVISIONS	
QTY.	REQD.	DATE	BY	APP'D.	DESCRIPTION
1		7-22-86	JEB		27078-7 FLOW TUBE WAS 27078-2
1		7-22-86	JEB		27077-7 PILOT TUBE WAS 27077-2
1		11-10-86	JEB		ADDED 17339 BARREL CALLOUT
1		11-10-86	JP		568346-7 WAS 568347-7
1		11-10-86	JP		529615 PISTON (REF.) WAS 55204 PISTON (REF.)
1		11-10-86	JP		ADDED SHEET 3
1		11-10-86	JP		REVISED NOTE 10
1		11-10-86	JP		55751-8 WAS 63020-8C, 61031-8-8D WAS 61031-8-8C, 61031-12-12D WAS 61031-12-12C, 61610-12D WAS 61110-12C, 55951-12 WAS 63020-12C & REVISED TITLE ON SHEET 3
1		11-10-86	JP		5-3/8 WAS 5-1/8, 7-9/16 WAS 7-5/16, 7-13/16 WAS 7-9/16 & 14-3/8 WAS 14-1/8 ON SHEET 3
1		11-10-86	JP		ADDED 27575-4 SEE ECO 1265-1

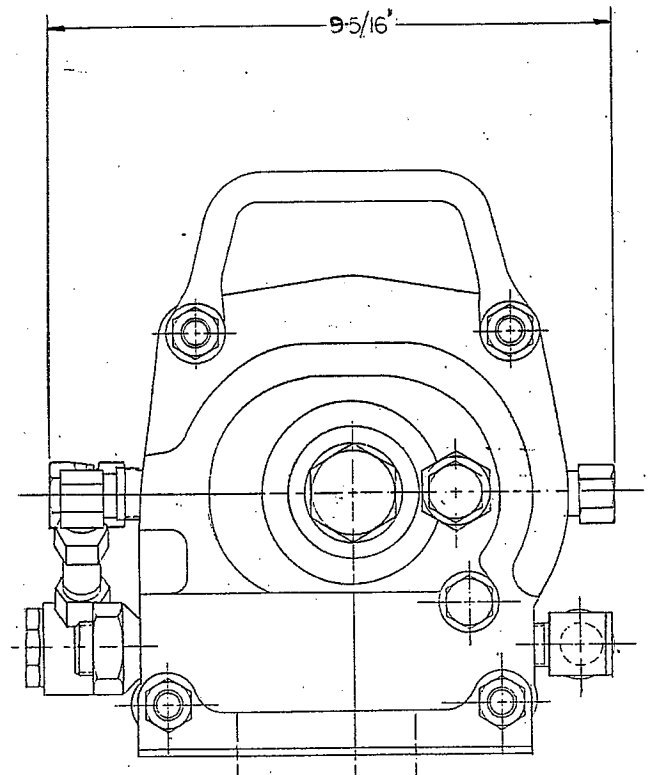
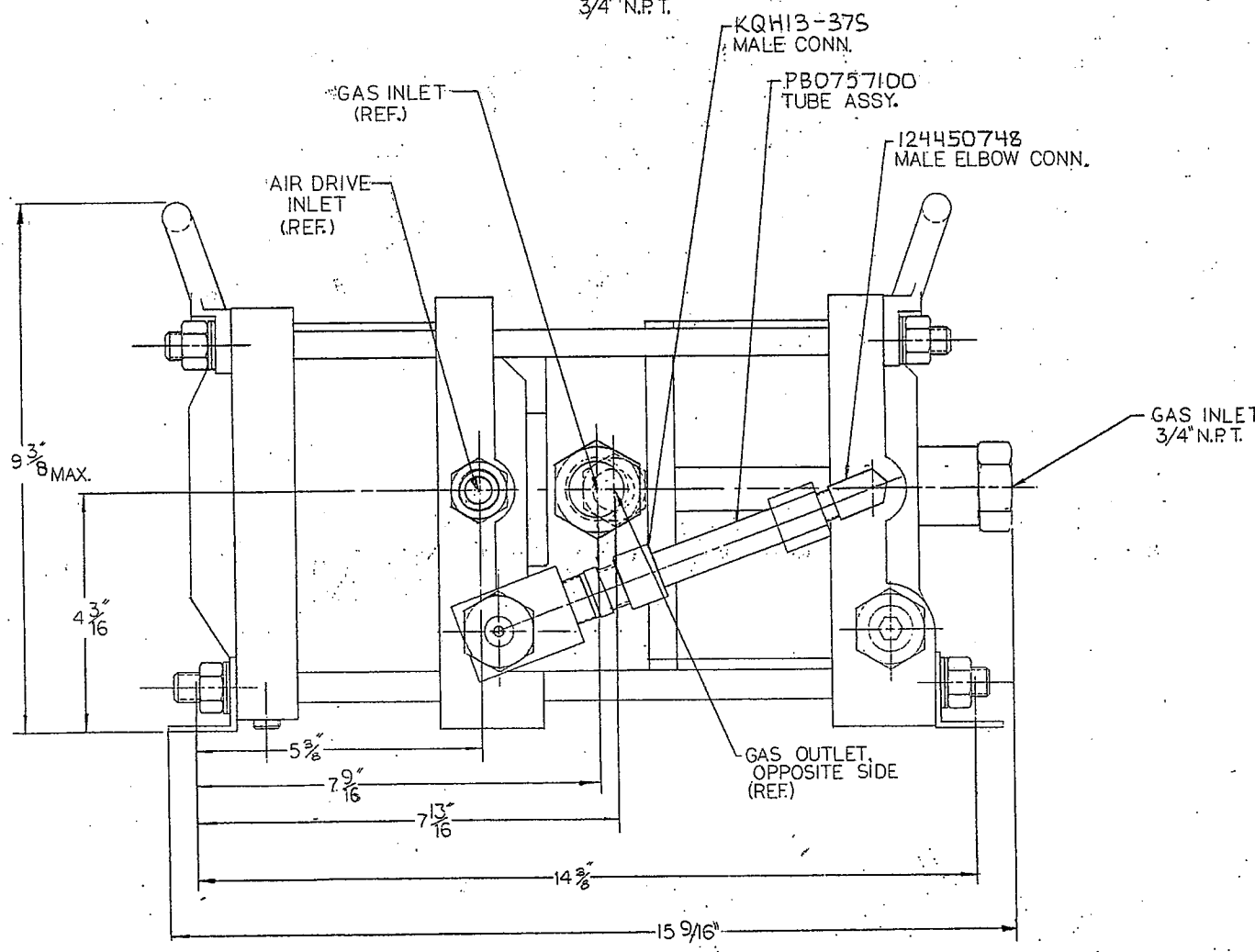
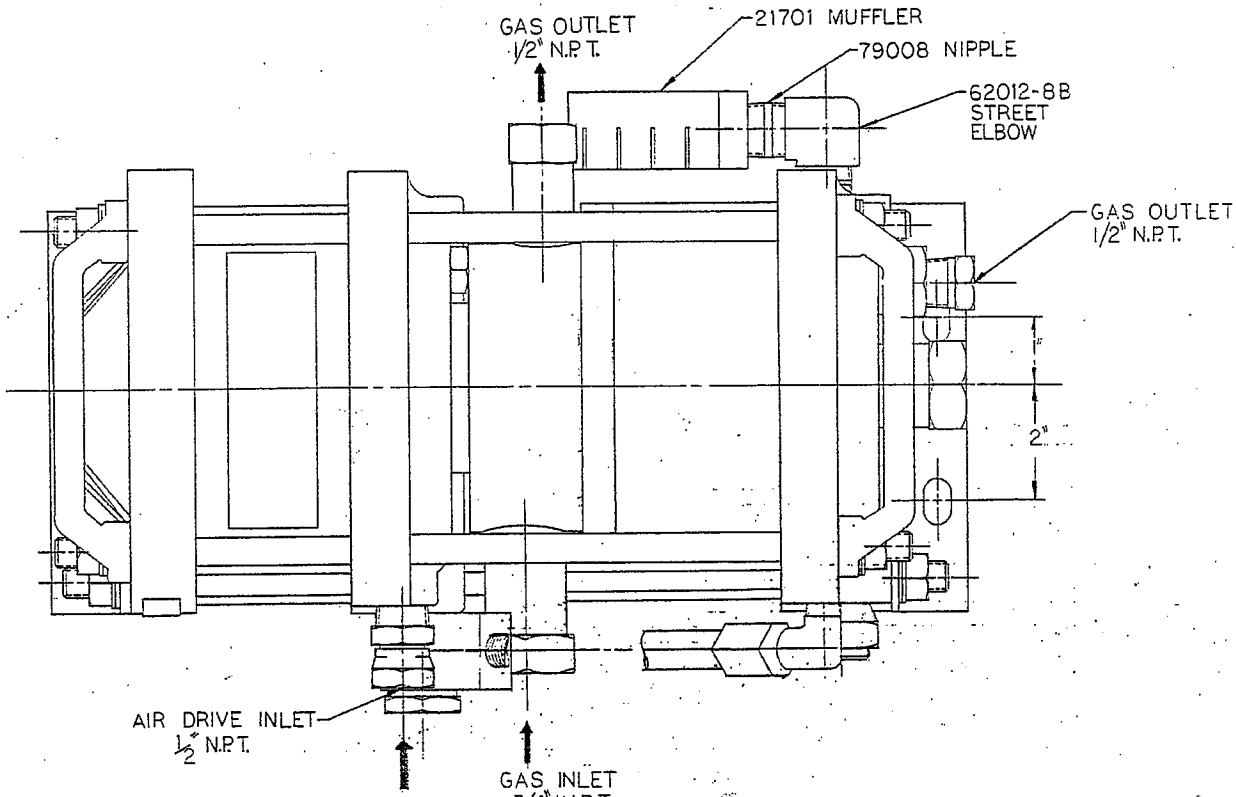


- NOTES:
- △ PARTS IN PUMP SECTION SEALS KIT 29635.
  - △ PARTS IN AIR CONTROL VALVE SEALS KIT 17329.
  - △ PARTS IN AIR DRIVE SEALS KIT 55226.
  - △ PARTS OF 52625 LOWER CAP ASSEMBLY.
  - △ PARTS OF 16532 AIR CAP ASSEMBLY.
  - 10. FOR OPTIONAL INTERCONNECTING PLUMBING SEE SHEET 3.
  - △ PARTS OF 28629-4 CHECK VALVE ASSEMBLY.
  - △ PARTS OF 52626 LOWER CAP ASSEMBLY.
  - △ PILOT STEM MUST BE GROUND SO THAT IT IS DEPRESSED .030 TO .080" BY AIR PISTON WHEN PUMP POSITION BOTTOMS OUT ON END CAP.
  - △ LUBRICATE 1/2" OF AIR BARREL & AIR VALVE SLEEVE AND O'RING WITH A LIGHT COAT OF LUBRICANT PER HPS-3.14.

QTY.	REQD.	ITEM NO.	PART NO.	DESCRIPTION
PARTS LIST				
MUCH TOLERANCES		CONTRACT NO. A1081		
UNLESS OTHERWISE SPECIFIED		HASKEL ENGINEERING & SUPPLY CO.		
GENERAL TOLERANCES		100 E. BROADWAY PLACE		
FRACTIONS TO 1/16"		BRIDGE PLAZA NEW YORK, N.Y.		
DECIMALS TO 0.001"		TITLE: GAS BOOSTER		
HOLE DIMENSIONS TO 0.0005"		DRAWN BY: 6-2080		
HOLE DIMENSIONS TO 0.0002"		CHECKED BY: 6-27-86		
HOLE DIMENSIONS TO 0.0001"		APP'D.		
MATERIAL		C 81400 55225		
FINISH		DATE: 11/2/81		
TREATMENT		PAGE 1 OF 5		

THIS DRAWING EMBODIES A CONFIDENTIAL PROPRIETARY DESIGN. ALL RIGHTS FOR REPRODUCTION, MANUFACTURING OR PATENTS ARE RESERVED BY HASKEL, INC.

REVISIONS			
LTR.	DESCRIPTION	DATE (DD/YY)	BY / APPD.
1	MUST BE REWORKED		
2	USE EXISTING PART AS IS		
3	DISPOSITION OTHER THAN ABOVE TO BE DESCRIBED IN DESCRIPTION COLUMN		
4	RECORD CHANGE		
SEE SHEET 1			



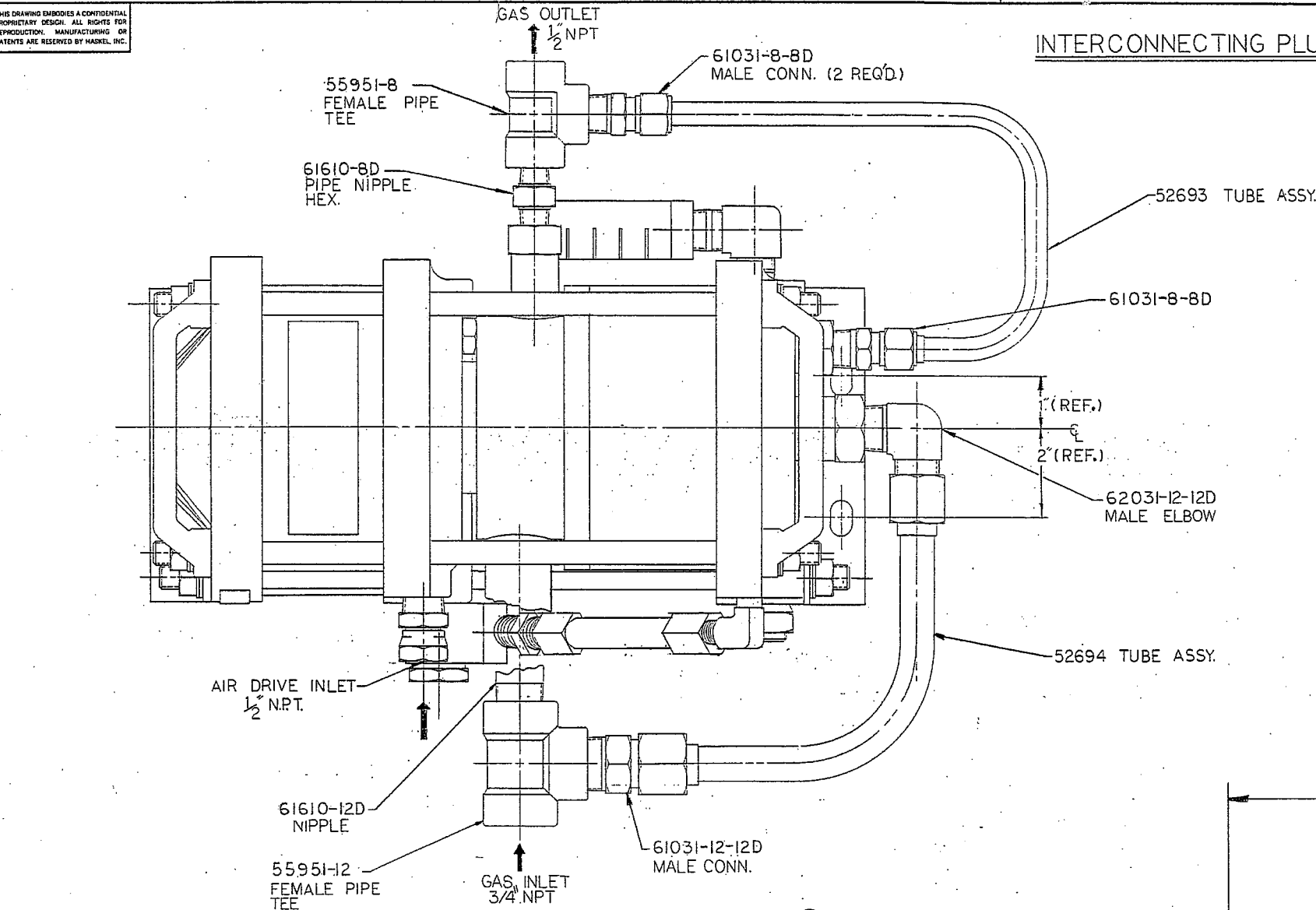
QTY.	RECD.	ITEM NO.	PART NO.	DESCRIPTION
PARTS LIST				
UNLESS OTHERWISE SPECIFIED		CONTRACT NO.		HASKEL INCORPORATED
MATERIAL		DRAWN JAN 6-20-96		160 S. GRAHAM PLACE
TREATMENT		CHECKED		BURBANK, CALIFORNIA 91506 - U.S.A.
FINISH		APPD.		TITLE
				GAS BOOSTER
				AGD 1.5
		SIZE	CODE IDENT. NO.	DWG. NO.
		C	81400	55225
		SCALE	1/2"	SHEET 2 OF 3

55225

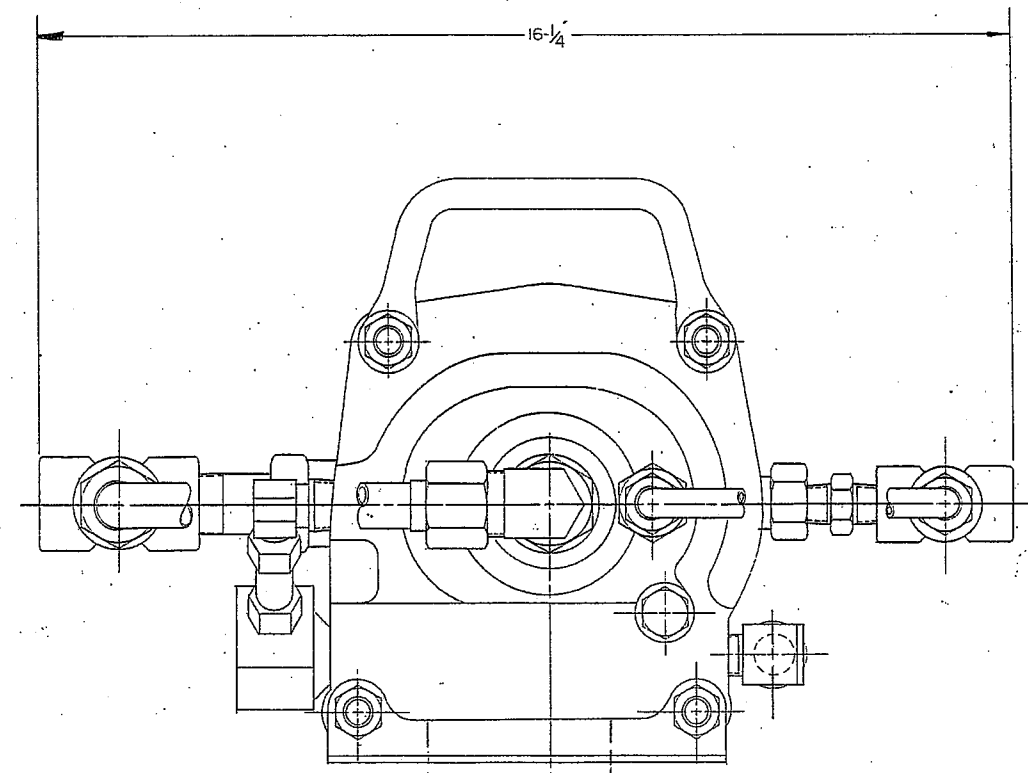
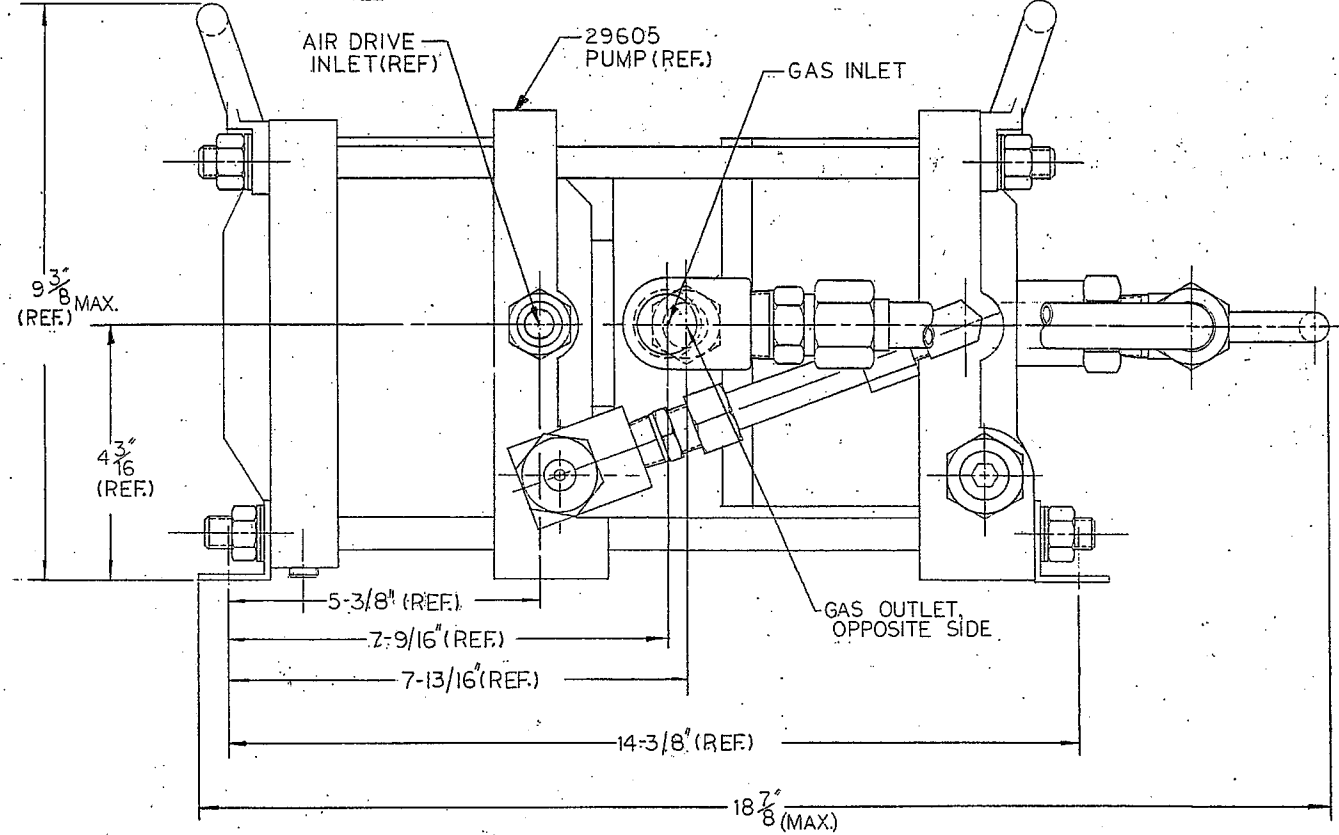
THIS DRAWING EMBODIES A CONFIDENTIAL PROPRIETARY DESIGN. ALL RIGHTS FOR REPRODUCTION, MANUFACTURING OR PATENTS ARE RESERVED BY HASKEL, INC.

REVISIONS			
NO.	DESCRIPTION	DATE	BY
1.	MUST BE REVOKED		
2.	USE EXISTING PART AS IS DISPOSITION OTHER THAN ABOVE TO BE DESCRIBED IN DESCRIPTION COLUMN		
3.	NOV SHOP PRACTICE		
4.	RECORD CHANGE		

### INTERCONNECTING PLUMBING



TUBE ASSY.	TUBE SIZE & MATERIAL
52693	1" O.D. x .049 WALL THK. S.S. TUBE.
52694	3/4" O.D. x .049 WALL THK. S.S. TUBE.



NOTE: THIS SHEET (3) WAS DR. NO. 52745 (REF)

QTY. REQD.	ITEM NO.	PART NO.	DESCRIPTION	PARTS LIST	
				HASKEL INCORPORATED 100 E. GRAMM PLACE BUREAU, CALIFORNIA 93002 - U.S.A.	
				TITLE: GAS BOOSTER AGD 1.5	
				DRAWN: PFERZ 3/18/80	
				CHECKED: [Signature] 3/18/80	
				APPROVED: [Signature]	
				SIZE: C	CODE IDENT. NO.: 81400
				SCALE: 1/2" = 1"	DWG. NO.: 55225
					SHEET 5 OF 3

55225