



# Heritage™

## STAIR ROD COLLECTION

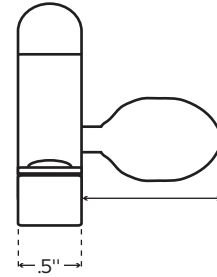
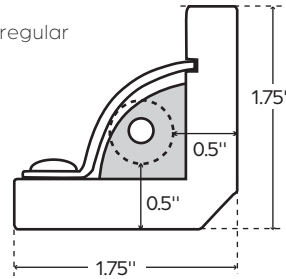
### SPECIFICATIONS

FINIAL	LENGTH
--------	--------

Pineapple	1 3/8"
Round	3/4"
Urn	1 1/4"
Crown	1 7/8"
Acorn	1 1/4"
Classic (No Finial)	0"
ROD GAUGE	.031"
ROD DIAMETER	1/2"

#### REGULAR

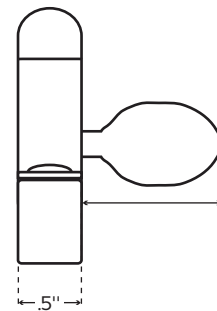
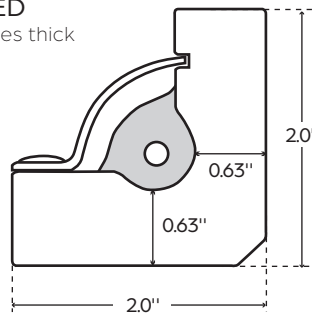
Accommodates regular pile carpets (under 3/4")



Finial measurements vary by style.

#### EXTENDED

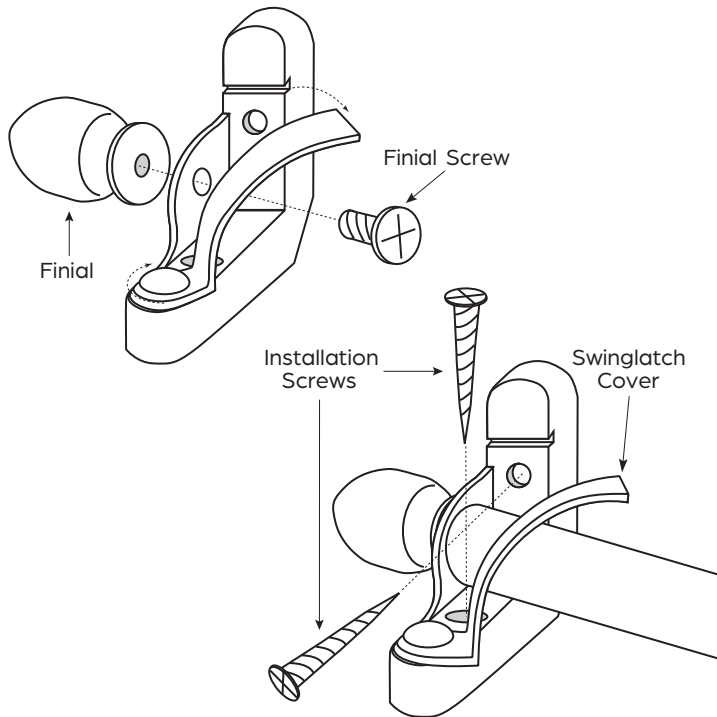
Accommodates thick pile carpets (over 3/4")



Finial measurements vary by style.

Zoroufy® Stair Rods slide into each bracket approximately 1/2".  
Finials attach to the bracket.

### INSTALLATION INSTRUCTIONS



1. The carpet runner must be installed using another method of installation. **Zoroufy® Stair Rods are for decorative use only!**
2. Attach the finials to the bracket using the screws provided in the finials. Ignore this step if using the Classic bracket.
3. Locate the desired position of the brackets by inserting the rod into the brackets and laying it on the stairs. Position the left and right brackets an equal distance from the side edges of the carpet runner.
4. Open the swing latch covers of the brackets exposing the installation screw holes.
5. For each stair, install one bracket onto the stairs using the screws provided or other anchors suitable for stair material (*drilling a pilot hole is recommended.*)
6. Insert the rod into the installed bracket and place the remaining bracket on the opposite end. Install the remaining bracket using the same method as above.

ALL PARTS ARE LACQUER COATED TO RESIST TARNISHING. DO NOT USE BRASS CLEANER OR OTHER ABRASIVES. TO CLEAN, SIMPLY WIPE WITH A SOFT DRY CLOTH. PERIODICALLY CHECK AND TIGHTEN ALL SCREWS AND HARDWARE.