

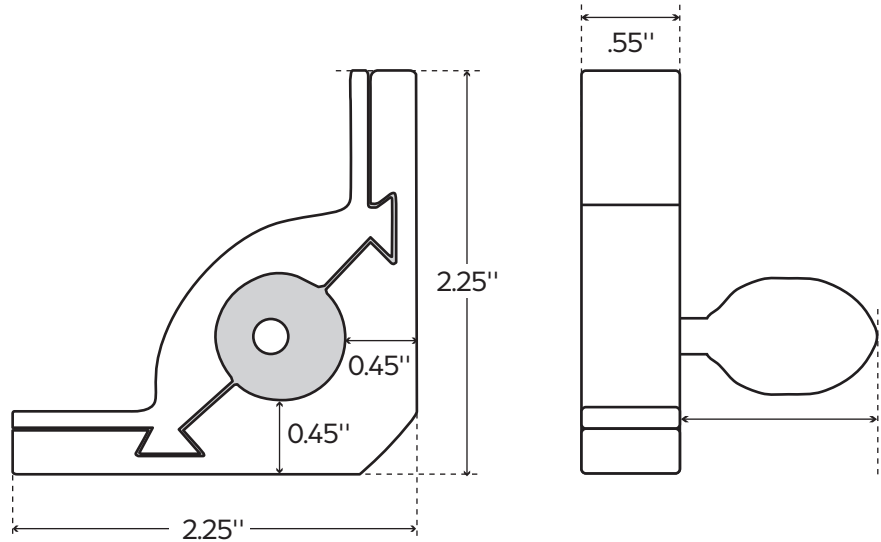


Dynasty[®]

STAIR ROD COLLECTION

SPECIFICATIONS

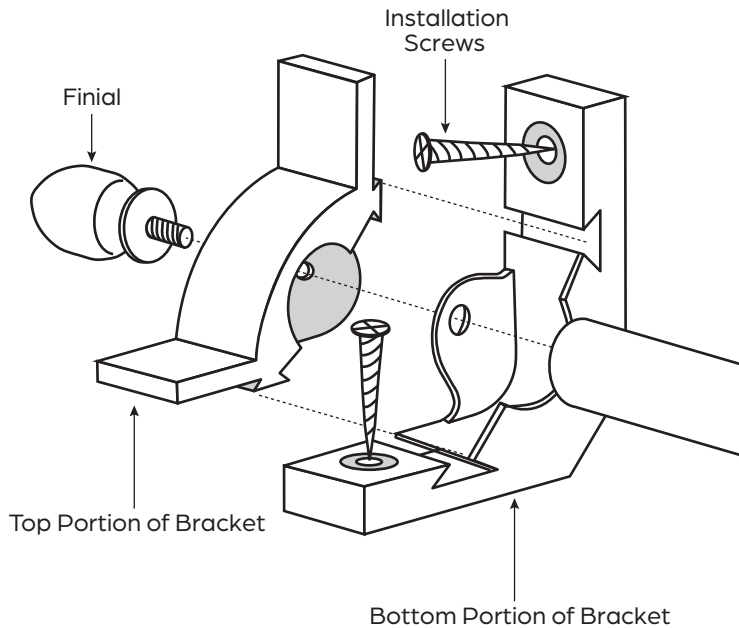
FINIAL	LENGTH
Pineapple	1 3/4"
Ball	1 1/2"
Urn	1 3/4"
Acorn	1 3/4"
ROD GAUGE	.063"
ROD DIAMETER	5/8"



Zoroufy[®] Stair Rods slide into each bracket approximately 1/2".
Finials attach to the bracket.

Finial measurements vary by style.

INSTALLATION INSTRUCTIONS



1. The carpet runner must be installed using another method of installation. **Zoroufy[®] Stair Rods are for decorative use only!**
2. Locate the desired position of the brackets by inserting the rod into the brackets and laying it on the stairs. Position the left and right brackets an equal distance from side edges of carpet runner.
3. Separate the top portion of the bracket from the bottom portion of the bracket by sliding it off laterally exposing the installation screw holes (*install one at a time to avoid mixes pieces.*)
4. For each stair, install the bottom portion of one bracket onto the stairs using the screws provided or other anchors suitable for stair material (*drilling a pilot hole is recommended.*)
5. Slide the top portion of the bracket laterally into place. Secure both parts of the bracket by screwing the finial into the assembled bracket.
6. Insert the rod into the installed bracket. Place the remaining bottom portion of the bracket on the opposite end and install using the same method as above.

ALL PARTS ARE LACQUER COATED TO RESIST TARNISHING. DO NOT USE BRASS CLEANER OR OTHER ABRASIVES. TO CLEAN, SIMPLY WIPE WITH A SOFT DRY CLOTH. PERIODICALLY CHECK AND TIGHTEN ALL SCREWS AND HARDWARE.