

PRODUCT DATA SHEET

Miconos parete


DESIGN BY:

Ernesto Gismondi
1999

MATERIALS:

Polished chromed metal, blown glass

DESCRIPTION:

Structure in polished chromed metal, diffuser in transparent blown glass.

SELECT

FLUO 

Transparent 

PRODUCT CODE

A020100

Light emission

TECHNICAL DATA SHEET
FEATURES

Product name:	Miconos parete
Article Code:	A020100
Colour:	Transparent
Material:	Polished chromed metal, blown glass
Series:	Design
Environment:	Indoor
Area contract:	

OPTICS

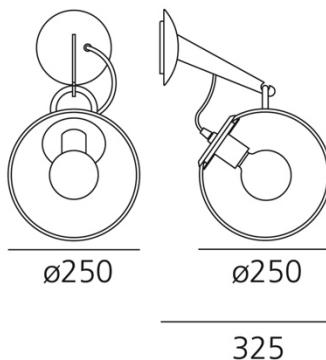
Emission:	Diffused And Direct
-----------	------------------------

DIMENSIONS

Length:	cm 32.5
Width:	cm 25
Diameter:	cm 25
Impact Resistance:	N/D
Glow Wire Test:	N/D °

LAMPS NOT INCLUDED

<input type="checkbox"/>	Category:	FLUO
	Number:	1
	Lbs:	G90
	Watt:	20W
	Socket:	E27
	Type:	Fbg
	Colour Rendering:	1b
	Colour temperature (K):	2700K
	Duration (h):	12000h

DIMENSIONS

COLOUR

LUMINAIR

Watt:	20W
Voltage:	220V-240V