



PLATINUM
PRO PLUG-IN
Mitsubishi Evolution 9
2005 - 2007
(HT055064)
QUICK START GUIDE



LIMITED WARRANTY

Lockin Pty Ltd trading as Haltech warrants the Haltech™ Programmable Fuel Injection System to be free from defects in material or workmanship for a period of **12 months** from the date of purchase.

Proof of purchase, in the form of a bill of sale or receipted invoice, which indicates that the product is within the warranty period, must be presented to obtain warranty service. Lockin Pty Ltd trading as Haltech suggests that the purchaser retain the dealer's dated bill of sale as evidence of the date of retail purchase.

If the Haltech™ Programmable Fuel Injection System is found to be defective as mentioned above, it will be replaced or repaired if returned prepaid along with proof of purchase. This shall constitute the sole liability of Lockin Pty Ltd trading as Haltech.

To the extent permitted by law, the foregoing is exclusive and in lieu of all other warranties or representations, either expressed or implied, including any implied warranty of merchantability or fitness. In no event shall Lockin Pty Ltd trading as Haltech, be liable for special or consequential damages.

DISCLAIMER

Haltech will not be held responsible for any damage caused by the incorrect installation or tuning of this product. It is the installers responsibility to ensure the wiring connections and pinouts match that of the vehicle the unit is being installed into.

Haltech has taken all care to make sure the connections match the specified vehicles listed, but variations in wiring and connections on vehicles can occur and therefore this should be checked BEFORE the unit is installed.

Haltech highly recommends installation and tuning of this product is to be carried out by a professional, with an understanding on installing and tuning engine management systems. Misuse of this product can destroy your engine.

WARNING

This ECU is designed and sold for Racing use only. Using this product for street / road use may be prohibited by law. Please check with your local vehicle authority before using this product.

GENERAL INSTALLATION WARNING

Avoid open sparks, flames or operation of electrical devices near flammable substances. Always disconnect the battery cables when doing electrical work on your vehicle.

Do not charge the battery with a 24 Volt truck charger or reverse the polarity of the battery or any charging unit. Do not charge the battery with the engine running as this could expose the ECU to an unregulated power supply that could destroy the ECU and other electrical equipment.

All fuel system components and wiring should be mounted away from heat sources, shielded if necessary and well ventilated. Disconnect the Haltech ECU from the electrical system whenever doing any arc welding on the vehicle by unplugging the wiring harness connector from the ECU.

After completing the installation, make sure that there are no fuel leaks, and no wiring left un-insulated in case a spark or short-circuit occurs and causes a fire. Also make sure that you follow all proper workshop safety procedures. If you're working underneath a jacked-up car, always use safety stands!

PLATINUM Pro Plug-in Mitsubishi Evo 9

Quick Start Guide

Congratulations on purchasing a Haltech Engine Management System.

This *fully programmable Plug and Play* product opens the door to virtually limitless performance modification and tuning of your vehicle. Programmable systems allow you to extract all the performance from your engine by delivering precisely the required amount of fuel and ignition timing that your engine requires for maximum output under all operating conditions.

This quick start guide will walk you through installation of the Platinum Pro Plug-in ECU into a vehicle. This guide is accompanied by the full service manual located on the software CD provided with the ECU that you or your tuner will need to refer to before completing your installation and configuration. The Manual can also be downloaded from the Haltech website www.haltech.com

Supported Vehicles

The Platinum Pro Plug-in Mitsubishi Evo 9 ECU supports the following vehicles:

- Mitsubishi Evolution 9 (JDM, USA, AUS & RHD Euro models only)
- Mitsubishi Evolution 8 MR (JDM, AUS & RHD Euro models only)*

****Not suitable for USA spec EVO 8 MR***

Platinum Pro Plug-in Mitsubishi Evo 9 Kit Includes

- Haltech Platinum Pro Plug-in ECU
- Haltech Mounting Screws with Captive Nuts x 2
- USB Cable
- Software CD
- Quick Start Guide
- Haltech Sticker

Optional Accessories (Sold Separately)

- Rear Auxiliary Harness (HT040003)

Loaded Basemap

Your Platinum Pro Plugin has been programmed with a basemap to suit a Mitsubishi Evolution 9 2.0L 4G63 standard engine using the on-board MAP sensor.

Please make sure you connect the Haltech ECU Internal MAP sensor to the intake manifold prior to starting the vehicle.

Please ensure you load, modify and check the corresponding basemap for your application before attempting to start the vehicle.

ECU Installation

To install your new Platinum Pro Plug-in to your Mitsubishi Evo 9, please follow the procedures below.

- Please Note the following Installation photos based on a Mitsubishi Evolution 9 (ADM)

You will require the following tools

- Small Flat Screwdriver
- Socket set with 10mm socket

1. Ensure Ignition is off.
2. Locate your factory ECU. This will be located on the passenger side of the vehicle behind the glove compartment.



Figure 1 – ECU Location

3. Remove the glove compartment, this is done by removing the stop located on the inside right hand side. Once this stop has been removed the glove compartment can be taken out.
Your Factory ECU should now be visible.



Figure 2 – Glove Compartment Removal



Figure 3 – Factory ECU Location (Glove Compartment Removed)

4. Remove the 3 x 10mm mounting bolts from the factory ECU Bracket. Un-clip the ECU connector cover at the connector end of the ECU. Disconnect the 3 connectors of the ECU from the wiring harness. Remove the ECU and Mounting bracket from its location.



Figure 4 – OEM ECU in Original Mounting Position

5. Remove the OEM ECU mounting bracket from the ECU by sliding a flat screwdriver in-between the ECU and the bracket lugs to release. Attach the supplied mounting captive nuts to the Haltech ECU 55mm away from the rear of the unit (Map sensor nipple end) along the outer grooves in the extrusion. Attach the OEM bracket to the Haltech ECU using the 2 screws supplied.



Figure 5 – Haltech ECU with original mounting bracket fitted

6. Connect the supplied programming cable to the Haltech ECU.
Re-Mount the ECU in the original location using the 3 x 10mm bolts.
Re-Connect the 3 Harness connectors to the Haltech ECU.
Connect the internal MAP sensor to the engine intake system via silicon hose.
Re-Install glove compartment and covers removed.
Leave programming cable in an accessible location for ease of tuning.
ie. In glove compartment or in kick panel.



Figure 6 – Haltech Pro Plug-in ECU Installed

7. With the ECU installed do not attempt to start the vehicle.
You will need to configure the ECU.

The ECU is Pre Configured for use with a standard 4G63 engine. If this is your setup then you will not have to load a basemap. However, it is still strongly recommended that you check your settings before starting your engine.

If a non standard engine or sensor combination is to be used please go online with the ECU using the supplied ECU Manager software adjust any configuration settings affected according to your setup. If the engine is modified, then all tables must be checked as the standard fuel and ignition settings may not be appropriate to operate your engine safely.

With the correct settings configured in the ECU, the engine should be able to be started at this point.

8. With the engine started and running its now time to tune
This is best achieved by your nearest engine tuner
See the listing of Haltech dealers on our website to find the one closest to you.
www.haltech.com

ECU Manager Software

ECU Manager software is used for setup, calibration and diagnostics and can be found on the CD supplied with this unit or downloaded from the Haltech website www.haltech.com

Minimum System Requirements

Operating System:	Windows 2000 SP4 / XP / Vista / Windows 7
Processor Speed:	1GHz
RAM:	256 Mb
Video Card:	128MB graphics card with 3D acceleration
USB:	1.1
Hard Drive Space:	250Mb
Minimum Screen Resolution:	1024 x 768 pixels

Installing ECU Manager

Installing ECU Manager onto your PC is performed similar to any other Windows software package. Installation is outlined below to ensure correct installation:

- 1.** Insert the CD-ROM into your PC's CD-ROM drive. The CD should automatically launch into the Haltech Browser. If the CD does not run automatically double click on the "My Computer" icon on the desktop, double click on the Haltech icon (CD- ROM drive) to start the browser software.
- 2.** The Browser will display the disclaimer and you will need to agree to the terms stated before allowing to progress. Read the Disclaimer and click on AGREE if you agree.
- 3.** Now you will be able to access all the information contained on the CD
- 4.** To download the Platinum Software, click on the Platinum Series ECU Manager Link. You will be prompted to install the software. Click "Install" to install ECU Manager and the Data Log viewer.
- 5.** Follow the software prompts and install the software.

With your programming cable (USB) attached to your ECU and the other end connected to your laptop, power up the ECU by turning your key to IGN. Start the programming software on your PC and go online with the ECU.

ECU Manager / ECU Manuals

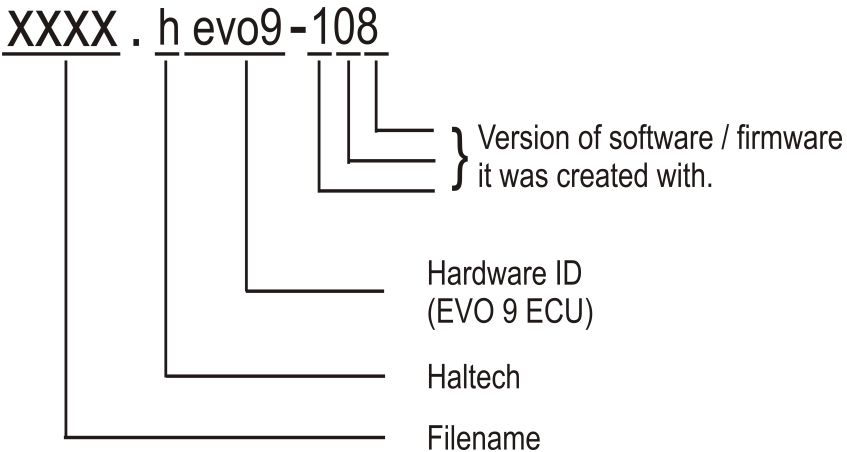
Detailed manuals can be found in the software by pressing your F1 key or by selecting the Help tab located at the top left of the screen

ECU Manager File Extensions

When ECU manager saves the map from the Haltech ECU, it saves the map with a Haltech specific file extension.

The File extension can be broken down as follows:

Example File : xxxx.hevo9-108



Later map versions cannot be loaded into ECU's with earlier firmware versions.

ECU Manager will upgrade earlier map versions when loading into ECU's with later firmware versions.

ECU Manager upgrades maps between versions where equivalent settings are available. However, new settings not in the original map, will be substituted with values from the new version's default map.

WHENEVER ECU MANAGER CONVERTS YOUR ECU MAP, YOU SHOULD ALWAYS CHECK YOUR MAP SETTINGS TO ENSURE THAT ALL THE APPROPRIATE SETTINGS HAVE BEEN CONVERTED CORRECTLY.

Rear Auxiliary Connector

The Platinum Pro Plugin Series allows further expansion of your ECU by the Rear Auxiliary Connector.

The Rear Auxiliary connector allows you access to:

- 2 Additional Digital Pulsed Outputs (DPO)
- 2 Additional Digital Switched Outputs (DSO)
- 2 Additional Analogue Voltage Inputs (AVI)
- 2 Additional Analogue Temperature Inputs (ATI)

These extra Inputs / Outputs can be used to:

- Fit additional sensors. (eg MAP and Temperature)
- Control additional devices via relays
- Control additional solenoids directly (eg Aftermarket Boost Control solenoid)

The Rear Auxiliary harness is available as an optional extra. (HT040003)



Pin #	Wire Colour	Connection
1	O	+5V
2	Y	AVI1 (MAP)
3	O/B	AVI2
4	B/W	SIGNAL GROUND
5	V/B	DPO1
6	V/BR	DPO2
7	-	-
8	-	-
9	O	+5V
10	GY	ATI1 (AIR)
11	GY/B	ATI2
12	B/W	SIGNAL GROUND
13	V/R	DSO1
14	V/O	DSO2
15	-	-
16	-	-

Figure 7 - Rear Auxiliary Harness Connector and Pinout

Digital Pulsed Outputs (DPO)

Digital Pulsed Outputs are capable of producing pulsed waveforms with varying duty and frequency. DPO's can be used to control various devices such as thermo-fans, shift lights, bypass air control valves, boost control solenoids etc.

When a Digital Pulsed output is activated by the ECU the output will switch to ground. Solenoid valves and shift lights etc can be run directly from the output, however high current devices such as thermo-fans and additional fuel pumps must be activated through a relay. This way the DPO is only switching a relay and not a high current draw device.

Two additional outputs can be connected using the Optional Rear Auxiliary Harness (HT040003)

Digital Pulsed Outputs are limited to 800mA Max current draw.

Digital Switched Outputs (DSO)

Digital Switched Outputs are capable of switching to ground
DSO's can be used to control relays in an on / off state only.

Two additional outputs can be connected using the Optional Rear Auxiliary Harness (HT040003)

Digital Switched Outputs are limited to 800mA Max current draw.

Analogue Voltage Inputs (AVI)

Analogue Voltage Inputs accept variable voltage inputs from 0V to 5V. These inputs can also accept switch inputs that change between two different voltage levels. The On Voltage and Off Voltage define what the thresholds are between the On and Off states. The Voltage can be viewed as a channel in the software to determine the thresholds for a switched input.

Two additional sensors or switched inputs can be connected using the Optional Rear Auxiliary Harness (HT040003)

Analogue Temperature Inputs (ATI)

Analogue Temperature Inputs accept variable resistance sensors.

These inputs have a pull – up resistor connected to them to allow them to be used with most automotive temperature senders (Variable resistance thermistor types).

Two additional sensors can be connected using the Optional Rear Auxiliary Harness (HT040003)

Wire connections

When using crimp connectors ensure that the correct crimping tool is used – if in doubt do a pull test on a crimp connector, the wire should break before the wire pulls out of the crimp. Terminal soldering can weaken a connection and should only be used as a last resort. If solder joints are used, ensure joints are well isolated from movement as solder joints are prone to fracture.

When splicing 2 wires it is preferable to use a crimp splice – again if using a solder joint, ensure joint is limited in its range of possible movement as solder joints are prone to fracture. Always use heat-shrink sleeving to insulate wires.

The Haltech CAN Network

The Haltech CAN network allows for simple and effective expansion in ECU capability and functionality without having to go to the trouble of wiring in a whole new computer.

Expansion is made possible by the addition of multiple expansion devices that communicate to the main ECU via a Control Area Network (CAN).

Installation time and costs are kept to a minimum as all expansion devices are powered up from the main ECU via the pre-terminated connection cable that comes with each expansion device.

Simply connect the device directly to the 8 pin CAN connector on the rear of the ECU or connect using an optional Haltech CAN Hub (order as part # HT05990) if multiple expansion devices are required).

Each expansion device is pre-programmed with a unique ID code which allows it to be recognised on the network and work correctly first time every time.

For current available expansion devices please go to our website at www.haltech.com



Figure 8 – Haltech ECU connected to a Racepak Dash

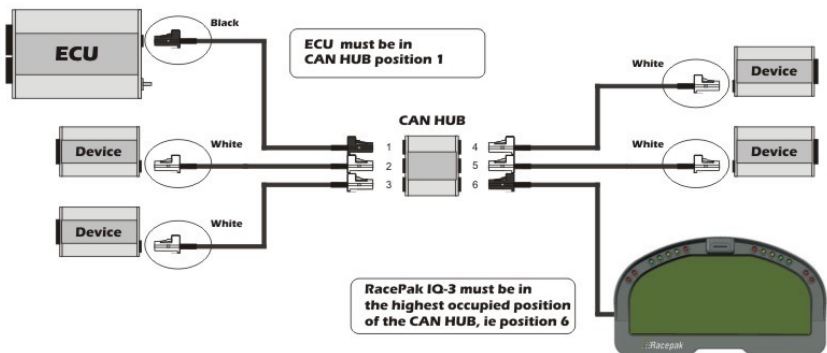


Figure 9 – Haltech ECU connected to 5 Auxiliary CAN based devices

ECU Pinout



LOOKING INTO ECU CONNECTOR

1	INJECTOR 1
2	INJECTOR 4
3	-
4	-
5	-
6	WASTEGATE SOLENOID 2
7	-
8	-
9	INJECTOR 2
10	-
11	IGNITION COIL 1
12	IGNITION COIL 2
13	-
14	IDLE SPEED 1
15	IDLE SPEED 4
16	PURGE CONTROL VALVE
17	-
18	FAN SPEED
19	-
20	A/C RELAY
21	FUEL PUMP RELAY 2
22	MIL
23	-
24	INJECTOR 3
25	-
26	-
27	-
28	IDLE SPEED 3
29	IDLE SPEED 6
30	A/C FAN HIGH SPEED
31	A/C FAN LOW SPEED
32	OIL CONTROL VALVE
33	-
34	SENSOR GROUND
35	-

71	-
72	-
73	-
74	-
75	-
76	-
77	-
78	TPS
79	ACD INPUT
80	VEHICLE SPEED
81	-
82	-
83	A/C PRESSURE SWITCH
84	-
85	-
86	-
87	-
88	CLUTCH PEDAL INPUT
89	-
90	I/C SPRAY LAMP
91	KNOCK
92	MAP SENSOR (PLENUM - JDM & USA ONLY)
93	-
94	-
95	-
96	AIR TEMP (PLENUM - JDM & USA ONLY)
97	-
98	-
99	12 V IGNITION
100	-

41	WASTEGATE SOLENOID 1
42	5V REF
43	CRANK ANGLE SENSOR
44	WATER TEMP
45	TACHO
46	CHASSIS GROUND
47	12 V SUPPLY
48	-
49	ANALOGUE GROUND
50	CAM POSITION
51	ATMOSPHERIC PRESSURE
52	-
53	INLET CAM POSITION
54	-
55	FUEL PUMP RELAY 3
56	I/C SPRAY RELAY
57	ENGINE CONTROL RELAY
58	CHASSIS GROUND
59	12 V SUPPLY
60	12 V BACKUP
61	AIR FLOW METER
62	AIR INLET TEMP
63	-
64	-
65	-
66	I/C SPRAY AUTO
67	I/C SPRAY MANUAL
68	ENGINE START

Figure 10 – Platinum Pro Plug-in Mitsubishi Evo 9 ECU Pinout

Haltech™

ENGINE MANAGEMENT SYSTEMS



HALTECH HEAD OFFICE: PH: +612 9729 0999
 FAX: +612 9729 0900
 EMAIL: sales@haltech.com

HALTECH US OFFICE: EMAIL: usa@haltech.com

See the Haltech Website for your local authorized dealer.

www.haltech.com

Version 4