

# VCC13

THIRTEEN



**REAR CAMBER ARM  
INSTALLATION INSTRUCTIONS:  
89-98 NISSAN 240SX S13/S14  
Part Numbers:  
RCNS-0100**

We recommend that installation of all Voodoo13 parts be completed by a professional who is experienced in suspension tuning. With proper installation and maintenance, Voodoo13 suspension products will provide exceptional performance and durability. For any questions, please contact Voodoo13 immediately. We thank you for choosing Voodoo13 for your suspension tuning needs!

**NEED HELP?**

Our representatives are here to help you with any questions concerning the operation of this product.

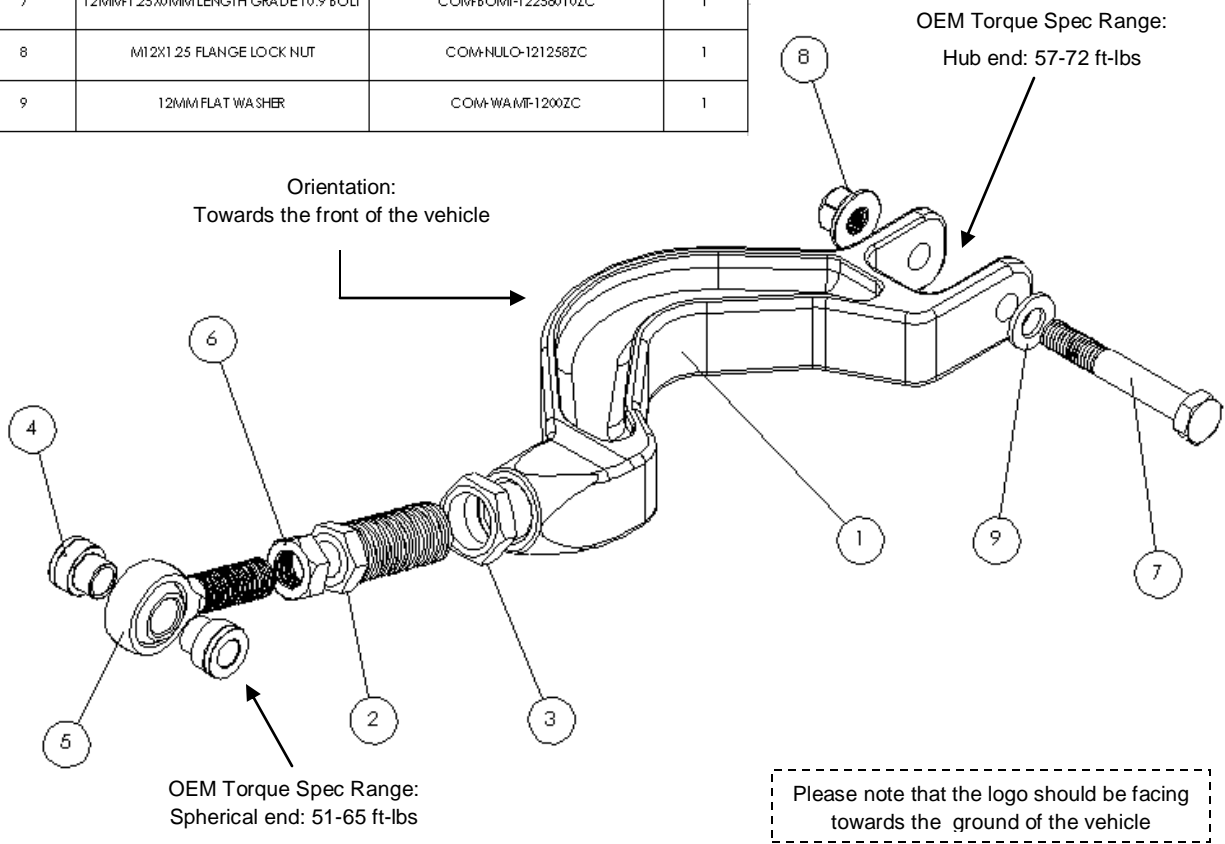
**CALL 480-889-0812**

**Monday thru Friday 8:30am to 5:30pm MST**

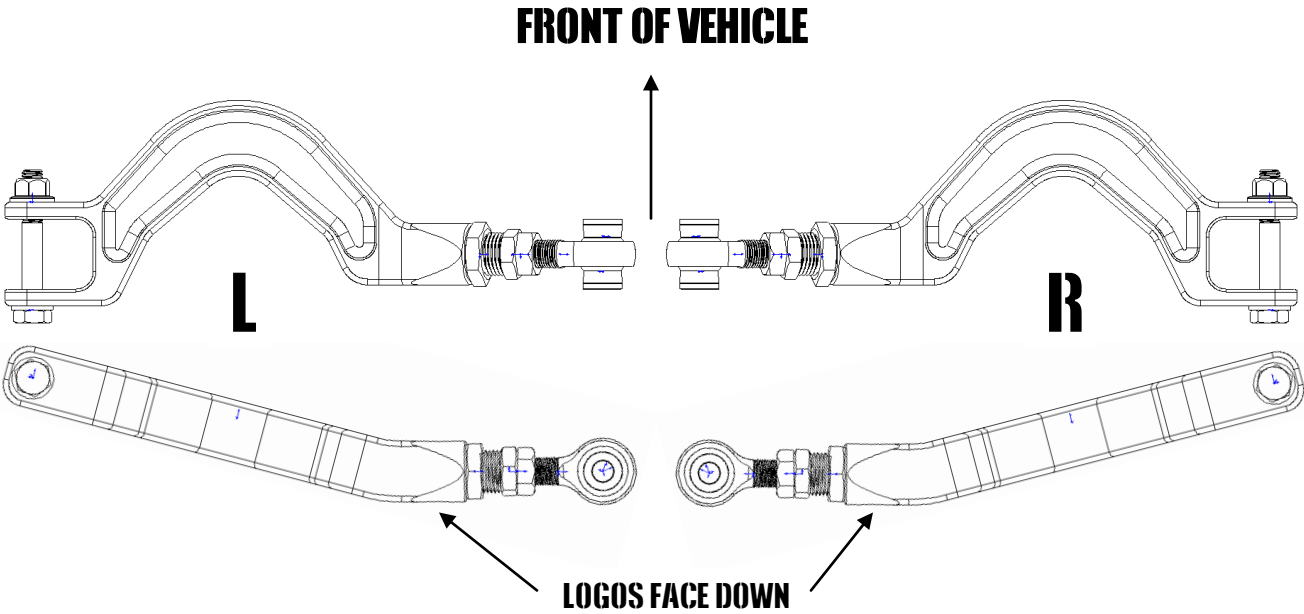
**PART BREAKDOWN**

**NOTE: For any OE hardware please refer to OEM service manual for torque specifications. For all included hardware please torque to specifications shown below.**

ITEM NO.	DESCRIPTION	VOODOO13 PART NO.	QTY.
1	S13/S14 REAR CAMBER ARM	com-frans-01001	1
2	5/8-18 HEIM ADJUSTER X 1-12 2.50IN LENGTH	COM-NUAD-100625ZC	1
3	1.25X1.00IN-12 JAM NUT CLEAR ZINC	COM-NUJA-1000-ZC	1
4	12MM ID X 0.625IN OD X 20MM W MISALIGNMENT SPACER	COM-MSSS-12200P	2
5	5/8-18 LH HEIM	COM-RECH-XML10	1
6	5/8-18 LEFT HAND STEEL JAM NUT CLEAR ZINC	COM-NUJA-6250-LHZC	1
7	12MM X 1.25 X 0MM LENGTH GRADE 10.9 BOLT	COM-BOMT-12258010ZC	1
8	M12 X 1.25 FLANGE LOCK NUT	COM-NULO-121258ZC	1
9	12MM FLAT WASHER	COM-WAMF-1200ZC	1

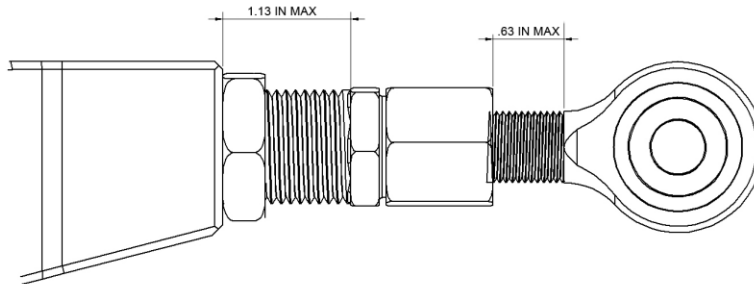


# INSTALLATION DIAGRAM:

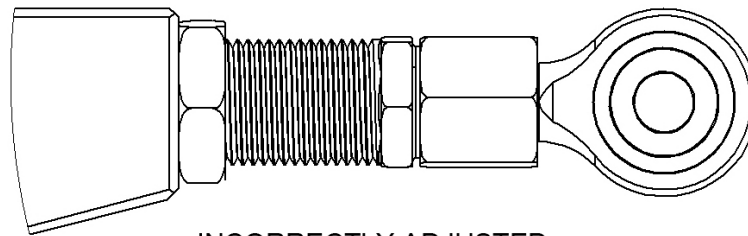


## ROD END ADJUSTMENT GUIDELINES

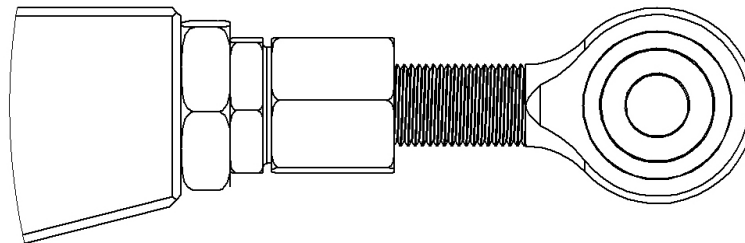
When adjusting rod end to desired position, adjust so that the rod end and adjuster have approximately the same amount of thread showing. Always use the jam nuts to secure the rod end and adjuster. Never tighten the rod end into the adjuster or the adjuster in the lower control arm as a jamming mechanism.



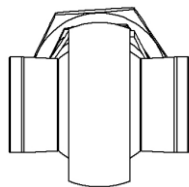
CORRECTLY ADJUSTED



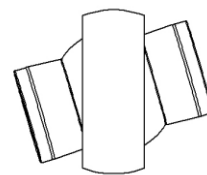
INCORRECTLY ADJUSTED  
INSUFFICIENT THREAD ENGAGEMENT ON ADJUSTER



INCORRECTLY ADJUSTED  
INSUFFICIENT THREAD ENGAGEMENT ON ROD END



CORRECTLY POSITIONED



INCORRECTLY POSITIONED  
TOO MUCH STATIC ROD END MISALIGNMENT

## Warranty

All products sold are subject to the following warranty:

Voodoo 13 offers Limited Lifetime Warranty for our products to the original retail consumer against defects and workmanship when used on light truck and car applications under normal operating conditions. This warranty does not apply to parts that have been improperly installed.

Exterior finish on all VooDoo 13 products is not considered a valid warranty; consumers are responsible for the maintenance of paint, anodize or raw metal finish.

The consumer will be responsible for the removal and freight costs both to and from the Distributor from which the product was originally purchased. Proof of purchase and product registration through the Voodoo 13 website is mandatory in order to receive warrantee replacement; original invoice from the Distributor from which the product was purchased must accompany the product in question for warrantee.

Voodoo 13 has the right to refuse a warrantee claim if procedures are not met by the original consumer. All returns must have an R.M.A. approval from Voodoo 13 prior to shipping direct to the Voodoo 13 facility. Exclusions from this warranty are sales outside of the United States, the finish, dents, rust, or any condition caused by abnormal use or neglect.

### **WARNING**

High performance parts. For off-road use only. Installation should be carried out by a qualified facility. Improper use or installation may result in injury or death.



**VOODOO13**

115 N Sunway Drive

Gilbert, AZ 85233

Ph: 480.889.0812

Fax: 480.829.8103

[www.VOODOO13USA.com](http://www.VOODOO13USA.com)