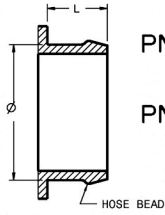


**Compressor Inlet**

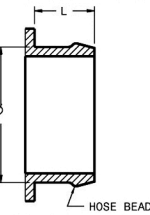
HOSE CONNECTIONS  
TABULATED AS (Ø x L)



PN756021-1  
Ø 69.85 x 31.75  
PN756021-2  
Ø 102 x 31.75

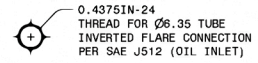
**Compressor Outlet**

HOSE CONNECTIONS  
TABULATED AS (Ø x L)



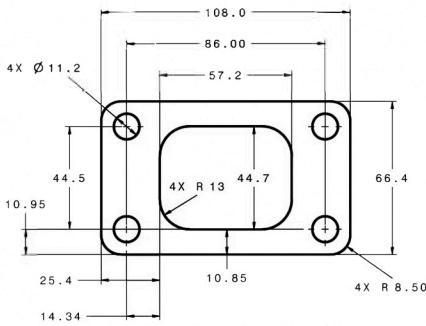
Ø 50.8 x 30

**Oil Inlet**



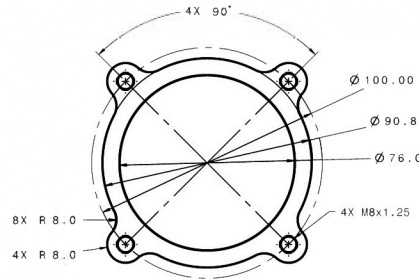
**Turbine Inlet**

"T3" PN74902-1, 2, 3, 7, 8, 9

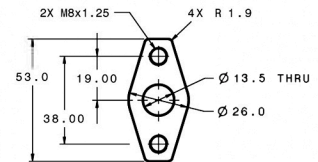


**Turbine Outlet**

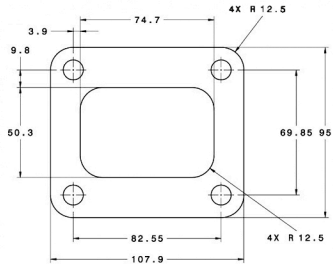
"3-INCH 4 BOLT" PN740902-1, 2, 3



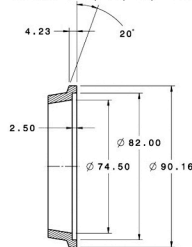
**Oil Outlet**



"T4 UNDIVIDED" PN740902-13, 14, 15

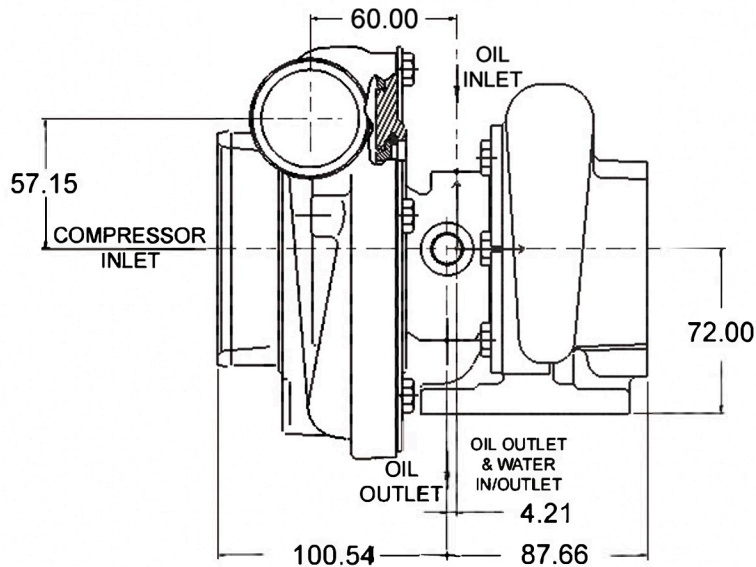


PN740902-7, 8, 9, 13, 14, 15



**Water**

M14 x 1.50



All Measurements in MM