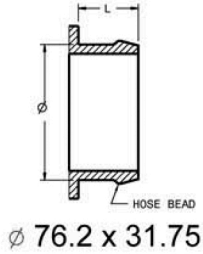
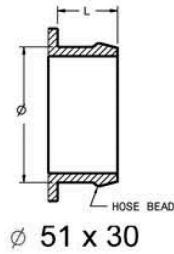


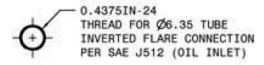
**28** Compressor Inlet  
HOSE CONNECTIONS  
TABULATED AS (Ø x L)



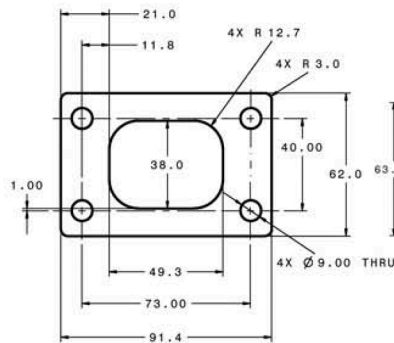
**19** Compressor Outlet  
HOSE CONNECTIONS  
TABULATED AS (Ø x L)



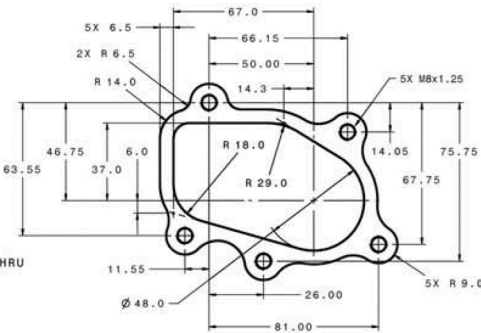
**11** Oil Inlet



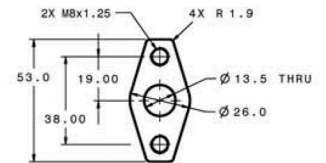
**01** Turbine Inlet  
"T25"



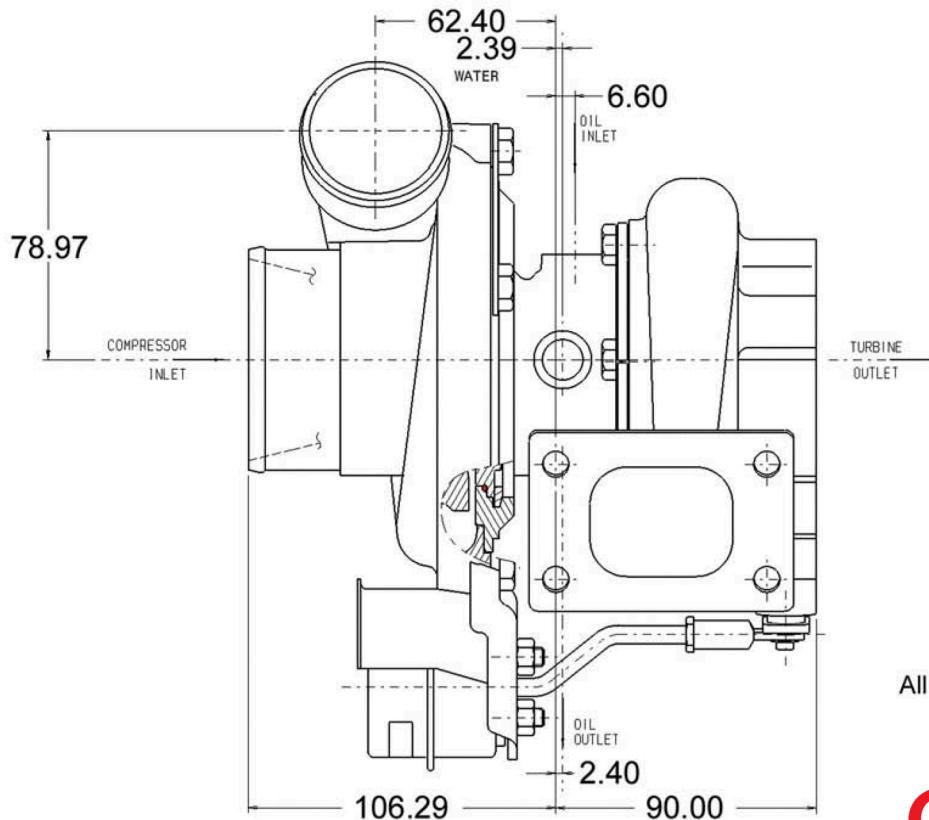
**11** Turbine Outlet  
"5 BOLT"



**18** Oil Outlet



**13** Water  
M14 x 1.50



All Measurements in MM