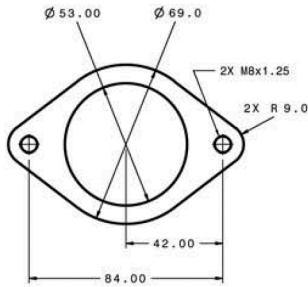
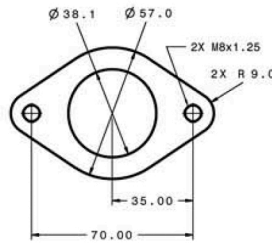


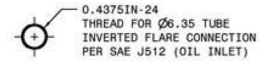
**02** Compressor Inlet



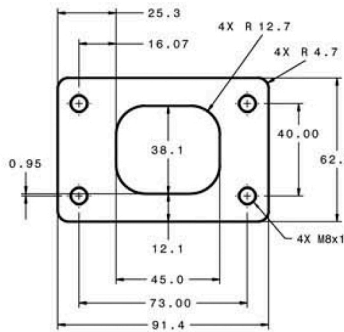
**01** Compressor Outlet



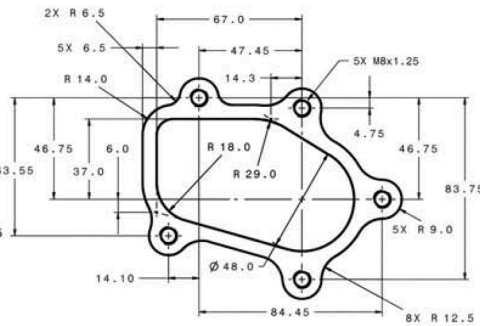
**11** Oil Inlet



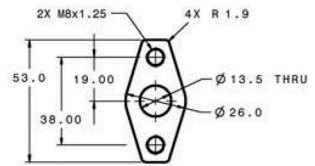
**02** Turbine Inlet  
"T25 WITH STUDS"



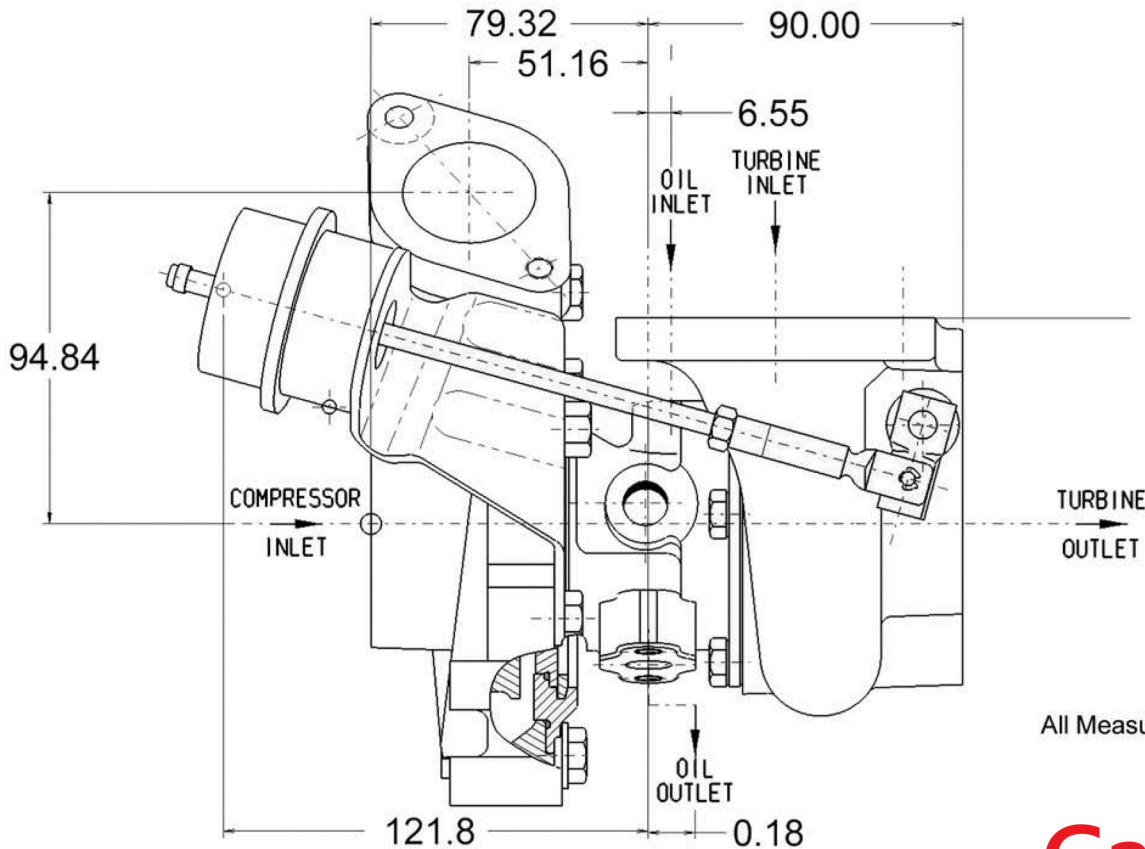
**09** Turbine Outlet  
"5 BOLT"



**18** Oil Outlet



**13** Water  
M14 x 1.50



All Measurements in MM