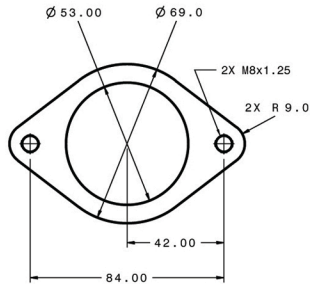
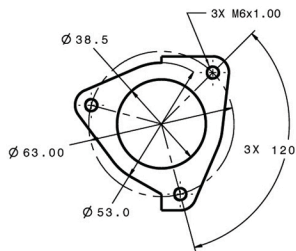


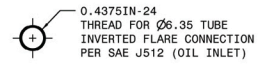
**Compressor Inlet**



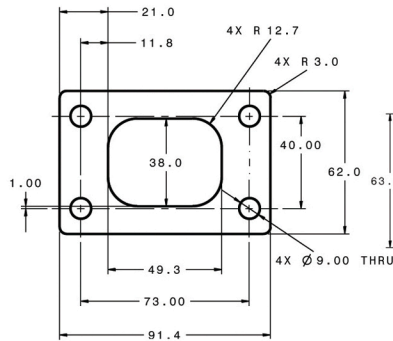
**Compressor Outlet**



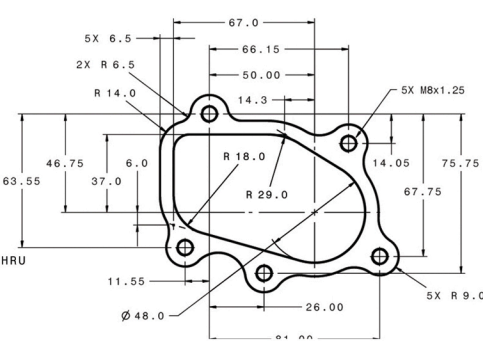
**Oil Inlet**



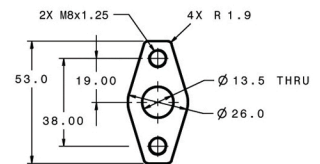
**Turbine Inlet**  
"T25"



**Turbine Outlet**  
"5 BOLT"

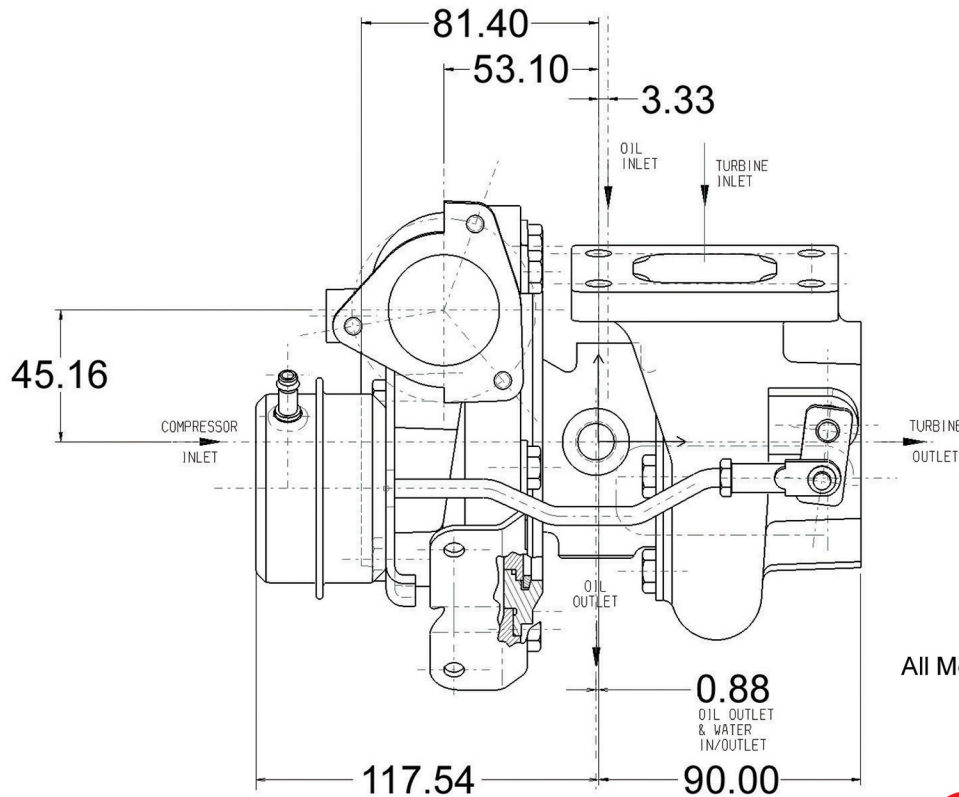


**Oil Outlet**



**Water**

**M14 x 1.50**



All Measurements in MM