



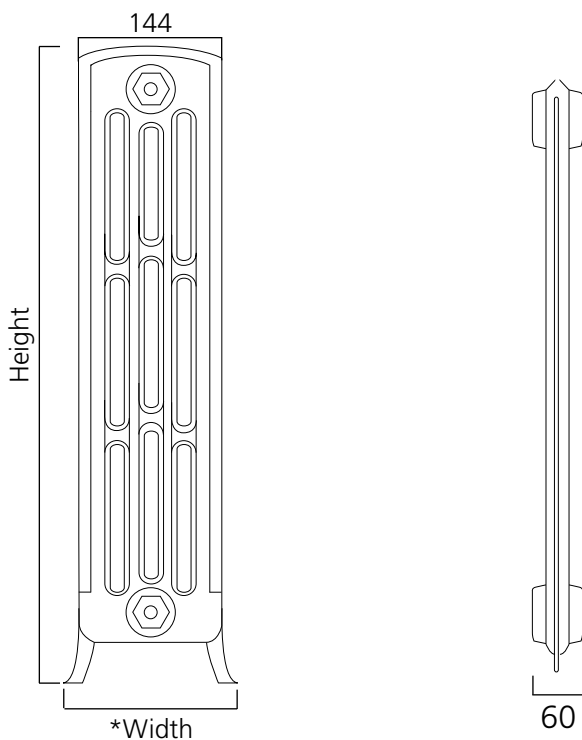
WESSEX

Fitting Instructions

Cast Iron Radiator with footed end sections

Please read these instructions and terms and conditions carefully prior to installation.
Failure to do so may invalidate the warranty.

Drawings



* Width depends on the size of the radiator. Please consider this measurement when installing. Please see above.

CAUTION HEAVY

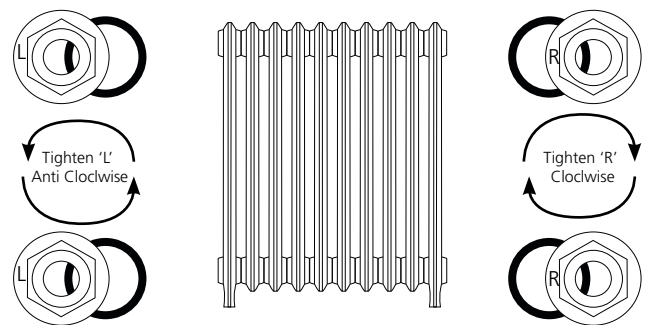
This radiator is very heavy, and we advise that the radiator is lifted by two people.

This radiator needs to be carried in an upright position. Carrying the radiator in a horizontal position may cause cracks and permanent damage to the radiator which will invalidate the warranty.



Bush Configurations

The Wessex has specific left and right hand threaded bushes and these can be easily damaged if forced or incorrectly fitted (this will inevitably cause leaks). Bushes require a dry fit connection only; you must not use any Compound materials (e.g. Jet Blue) or Plumbers Hemp. If you choose you may use up to 4 turns of PTFE tape to help seal the threads (the tape should be applied in the direction of the thread and no more than this amount should be used as this may cause leaks to occur)



Pipe Centres

Pipe centres left to right = width of radiator plus valves

Pipe centres from wall = 105mm to 120mm

1. Unpack & Inspect

This product should have reached you in perfect condition. Please carefully unpack and inspect this radiator and all fittings. Your point of purchase must be notified of any shortages or damage within 28 days of delivery. For further information please see terms and conditions on reverse.

2. Contents

You should have:

- 1 Radiator
- 1 Manual Airvent

You will need:

- Tape measure
- Electric drill and bits
- Spirit level
- Airvent key
- Wall Ties (Optional)
- Spanner for valves and vents

3. Painting

Your Wessex Radiator is currently in a primer finish that is ready for you to paint on your desired colour. We advise that the radiator is painted before installation as all areas of the radiator need to be accessible.

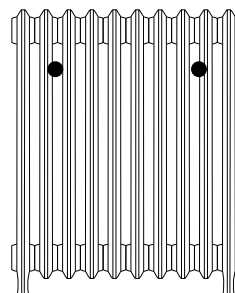
When painting your radiator's topcoats and undercoats must NEVER be WATER BASED or EMULSION type. Be careful in selecting undercoats as some modern formulations are water based even though they are intended for use with oil based topcoats. Water based paint will create rust pockets that will grow and become unsightly. Radiators may be finished with paints that are formulated to withstand temperatures up to 100 °C. Spray paints used for car bodywork are also suitable if they are not water based. Paint odours may be emitted during painting and when the radiator heats up for the first few times. Adequate ventilation should be provided.

4. Installing

When placing the radiator in place for installation, consideration needs to be taken for the width of the feet as this will affect how far the radiator will sit from the wall/ skirting board. *(Due to manufacturing methods, the width will alter depending on the size of your radiator please see diagram overleaf)*

Optional Wall Tie Installation

With the radiator in place, mark the positions for the wall ties, which can be placed on the second section in from the side (shown below)



● = Wall Tie Positions

Double check the markings then move the radiator out of the way, then using a suitable drill bit and plugs, fix the wall ties to the wall.

5. Commission Radiator

Please Note: In accordance with Part L1 2006 of the Building Regulations and BS7593:1992 code of practice for the treatment of hot water and central heating systems, we strongly recommend flushing the heating system post installation of new radiators and then adding the correct quantity and type of inhibitor for use with your radiator and system to prevent corrosion. Damage caused to systems not protected by a suitable inhibitor will not be covered by manufacturer's guarantee.

Technical Specifications

Materials	Cast Iron
Connections	½" flow and return.
Test pressure	12 Bar
Testing authority	EN442
Maximum operating pressure	6 Bar
Maximum working temperature	120 °C
Packaging	Protective wrap on a pallet

Guarantees & Liabilities

This product is guaranteed for 10 years. As we are not the manufacturers of this product we will take all reasonable endeavours to make over to you the benefit of any warranty or guarantee given by the manufacturer.

The guarantees in all cases are subject to the products being installed in accordance with British and or European standards as well as these fitting instructions. The guarantees in all cases are restricted to the free of charge replacement or repair of the failed product only. Our liability will under no circumstances extend beyond the repair or replacement of the product supplied by us. Claims for either labour in replacement or damage to property are not admissible. Any goods that are returned, in the event of a problem, will belong to us.

Terms & Conditions

All products must be inspected once removed from the packaging and your point of purchase notified within 28 days of delivery of any scratches, blemishes or other damage. Your point of purchase will then agree appropriate action.

Imperfect radiators should therefore not be fitted and we will not accept responsibility for replacement of scratched or damaged radiators once they have been fitted. This includes any consequential loss or cost of fitting.

If we are not notified within 28 days of the date on the signed delivery note then it will be deemed that we have fully complied with our obligations and claims will not be considered.

Failure to comply with any of the above may invalidate any claims. We recommend that after you check the product on delivery that it is stored in its packaging to prevent damage prior to installation, we cannot accept responsibility for items damaged after delivery.

For full details of our Terms and Conditions please visit www.supplies4heat.co.uk or call us on 01342 306880.