

Technical Specifications

Materials	Aluminium and Steel Convector, Poly Ethylene or Fibreglass Trench Unit, Wood or Aluminium Grille
Connections	½" flow and return.
Test pressure	12 Bar
Testing authority	EN442
Maximum operating pressure	10 Bar
Maximum working temperature	As to EN442 Δt 130°C
Packaging	Protective cardboard wrapping with shrink wrap polystyrene

Terms & Conditions

All products must be inspected once removed from the packaging and The Radiator Company notified within 28 days of delivery of any scratches, blemishes or other damage. The Radiator Company will then replace the radiator.

Imperfect radiators should therefore not be fitted and The Radiator Company will not accept responsibility for replacement of scratched or damaged radiators once they have been fitted. This includes any consequential loss or cost of fitting.

If The Radiator Company are not notified within 28 days of the date on the signed delivery note then it will be deemed that The Radiator Company have fully complied with its obligations and claims will not be considered.

Failure to comply with any of the above may invalidate any claims.

We recommend that after you check the product on delivery that it is stored in its packaging to prevent damage prior to installation. The Radiator Company cannot accept responsibility for items damaged after delivery.

Guarantees & Liabilities

As we are not the manufacturers of this product we will take all reasonable endeavours to make over to you the benefit of any warranty or guarantee given by the manufacturer, which is usually five years on most of our range. (Copies of specific guarantees for any of our products are available on request).

The guarantees in all cases are subject to the products being installed in accordance with British and or European standards as well as these fitting instructions. The guarantees in all cases are restricted to the free of charge replacement or repair of the failed product only. Our liability will under no circumstances extend beyond the repair or replacement of the product supplied by us. Claims for either labour in replacement or damage to property are not admissible. Any goods that are returned, in the event of a problem, will belong to The Radiator Company.

Please Note: In accordance with Part L1 2006 of the Building Regulations and BS7593:1992 code of practice for the treatment of hot water and central heating systems, we strongly recommend flushing the heating system post installation of new radiators and then adding the correct quantity and type of inhibitor for use with your radiator and system to prevent corrosion. Damage caused to systems not protected by a suitable inhibitor will not be covered by manufacturer's guarantee.



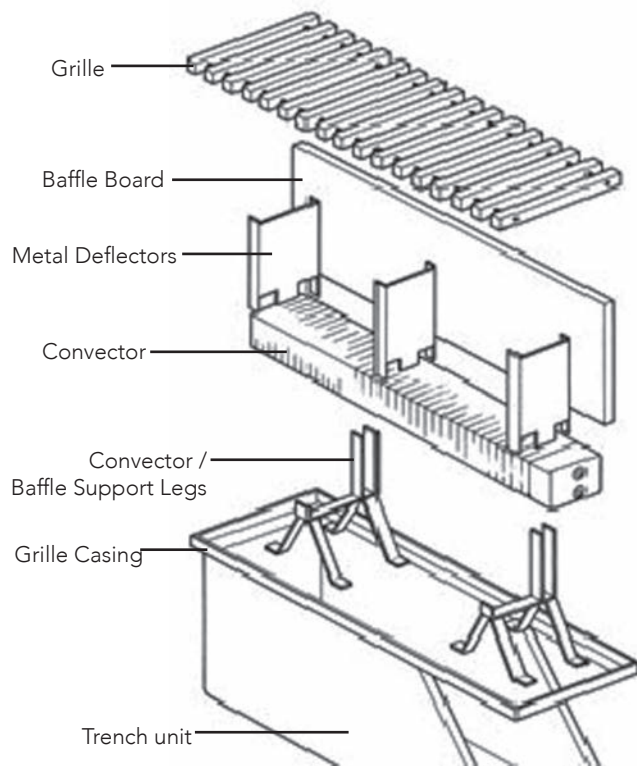
Please read these instructions and the terms and conditions carefully prior to installation. Failure to do so may invalidate the warranty.

PLEASE NOTE: Systems using micro bore pipework must have adequate pressure and flow rates for the number and style of radiators on the system.

The Radiator Company
Units 13 - 14 Charlwoods Road
East Grinstead
West Sussex
RH19 2HU

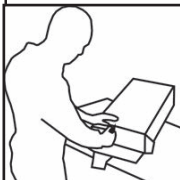


Exploded drawing of Trench



1 Unpack & Inspect

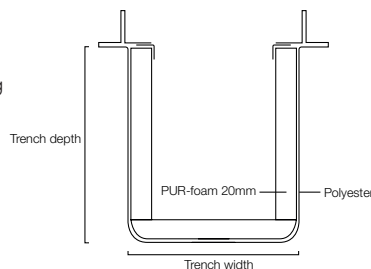
The Radiator Company prides itself on selecting products from manufacturers who exercise tight quality control measures. We only select models with excellent standards of welding and brazing, as well as high quality finishes. All of our products are well packaged and should reach you in perfect condition. Just in case however, we offer a minimum 5-year no quibble guarantee for all radiators and towel rails.



Please carefully unpack and inspect this radiator and all fittings. The Radiator Company must be notified of any shortages or damage within 28 days of delivery. For further information please see terms and conditions on back page.

Contents

- You should have:
- Trench Unit including Grille Casing
 - Convector/ Baffle Support Legs
 - Convector
 - Metal Deflectors
 - Baffle Board
 - Grille



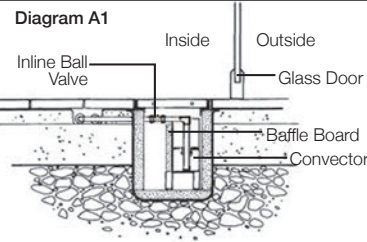
This is the standard Trench profile suited to new builds. The frame protrudes from the sides to allow screed for flooring to be laid over the frame. The Trench frame is recessed 30 x 30 x 3mm for wood grilles and 25 x 35 x 3mm for aluminium grilles.

You will need:

- A pit for the trench (point 2 'Dig a Pit for the Trench')
- Tape measure
- Spirit level
- Plumbing tools
- Inline Ball Valve x 2 (not supplied)
- A room stat or remote adjustment valve instead of an Inline ball valve if you wish to individually control the trench / on and off.

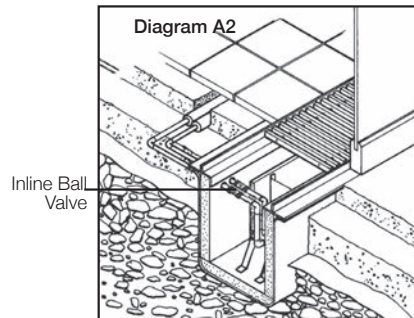
Note: Although the Trench is waterproof and made from strong materials, do not drag the trench along the floor and avoid banging the unit or parts supplied.

Overview of installation



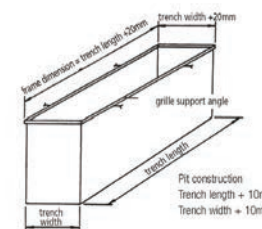
The cross section to the left shows the correct installation for the Trench unit. Please note the position of the Convector Unit against the outside edge with the baffle board in the centre of the Trench

The illustration to the right shows a typical installation. Please note how the pipe work enters the Trench unit just below the frame prior to connection with the convector unit.



2 Dig a Pit for the Trench

Dig a pit that allows for 20mm additional length and 20mm additional width for easy insertion of the trench (see diagram opposite). The Grille Casing has a lip that will cover the additional length / width which you can screed up to.



3 Insert Trench & run pipework to Trench unit

Lower the Trench unit into the pit and level as required. Run your pipework to the trench unit, as per the Overview diagrams below left. Pipework can be on the right or left hand side of the trench. Drill two holes carefully through the edge of the trench just below the grill casing to allow pipework to push through.

Note on Controlling the Trench; You can use the valves you install to turn the unit on or off and / or you could connect the trench to a room stat / Remote adjustment valve.

4 Set up Trench, connect pipework & commission

Note: the convector should be placed so that it is on the rear / outside edge of the trench; the baffle board goes on the inside – see diagram A1.

Do this by;

- Inserting the Convector / Baffle Support Legs – space accordingly to support the convector
- Place the convector onto the support legs with the pipe connections on the relevant right / left hand side i.e. nearest pipework you laid and with the convector against the rear / outside edge of the trench – see note above and diagram A2.
- Connect up the pipework using standard valves (not supplied). The convector does not have a flow and return, you can use either pipe for flow or return.
- Commission and ensure that the convector is heating; once all is working only then screed the floor.
- Once it is working, fit the Metal Deflectors by pushing them through the fins and over the edge of the convector; they are a tight fit, but hold the convector in position.
- Fit the Baffle Board by sliding it into position in the slots in the support legs.
- Put the Grille in position

5 Caring for your Trench

- We recommend that you regularly lift the grille and vacuum the trench / fins to remove any dust that may clog up the convector & reduce output.
- The grille does have spaces where small items can fall through e.g. coins, pens etc; remove them if this happens.
- Remind anyone wearing high heels to be careful when crossing the grilles.