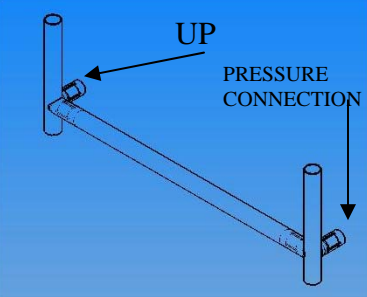
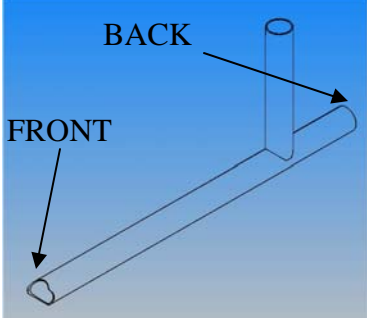
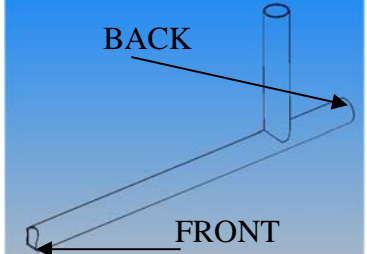
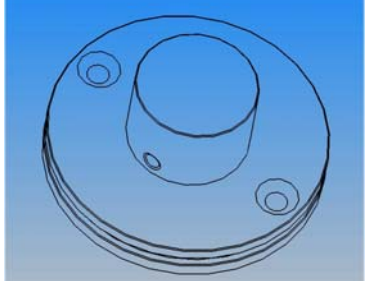
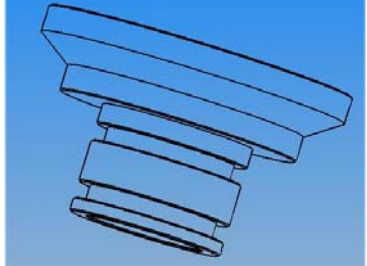

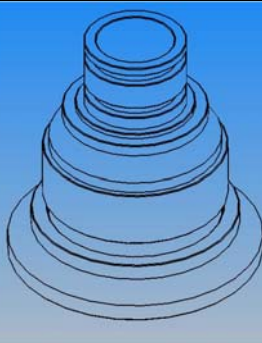


# WMK-SF27



# CAUTION: EDGES MAY BE SHARP

NUMBER	DISCREPTION	IMAGE
1	FRONT SUPPORT	
2	LEFT SIDE SUPPORT	
3	RIGHT SIDE SUPPORT	
4	WALL FLANGE	
5	TOP BASE	

6	BOTTOM LEG	
7	BOTTOM BASE	

## Installation Steps

1. Take front support (1) and place it down so that the part indicated by the arrow points upward.
2. If you have a towel bar or robe hook, do step A of the according accessories steps first.
3. Take left side support (2) and insert it into the pressure connection (shown in figure 1); make sure that the larger edge on the front of the left side support (2) is on the outside. Place the wall flange (4) inside the other end of the long tube of left side support (2) (the small cylinder inside the tube with the flat end). Use a small hammer and gently hit the wall flange (4) until the left side support completely emerges into compression connector of the front support. Remove wall flange (4) from the back of left side support (2).
4. Repeat step 2 for the right side support (3); make sure that the larger edge on the front of the right side support (3) faces outward.
5. Take the top bases (5) and insert them into the four tubes extending upwards.
6. Place the assembly on a flat surface on the top bases (5) (upside down).
7. Take the bottom leg (6) and insert it into one of the long tubes.
8. Take the bottom base (7) and insert it in to the leg that you just assembled.
9. Repeat step 7 and 8 for the other bottom leg (6) and bottom base (7).

10. Take the wall flange (4) and insert it into the back end of the side support. Make sure that the hole on the side of the tube is aligned with the threaded hole of the wall flange (4).
11. Take the 10-24 screw (15) and screw it in the threaded holes of the wall flange(4).
12. Repeat steps 10 and 11 for the other side.
13. Flip the console upright and lean it against the wall that you want to place the vanity. Use a pencil to mark the holes of both wall flanges (4).
14. Unscrew the 10-24 screws (15) and remove the wall flanges (4).
15. Mount the wall flanges (4) on the wall using the provided drywall screws (14) and toggles (13).

**Note:** If you have a towel bar, follow accessories installation steps C and D before going to step 16.

16. Take the wall esc (8) and insert it into the back end. Make sure that the finish surface faces toward the front support (1).
17. Place the assembled console into the wall flanges (4) and use the 10-24 screws (15) to fasten the console.
18. Push wall esc (8) toward the wall to cover the wall flanges (4).
19. Adjust the height of the console by screwing or unscrewing the adjuster base (for LOFT and TRANSITIONAL series is at the bottom and for the TRADITIONAL series is at the top) so that it is level.

WMK-TD-27  
Watermark Console Legs

