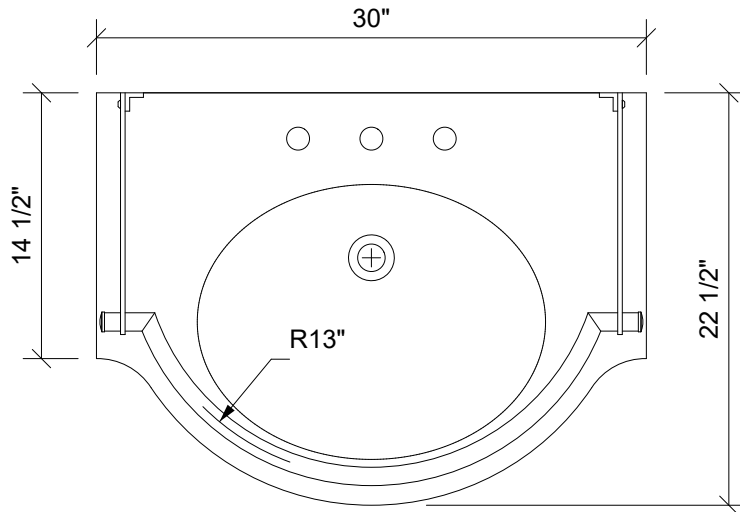


Regency

**REG**

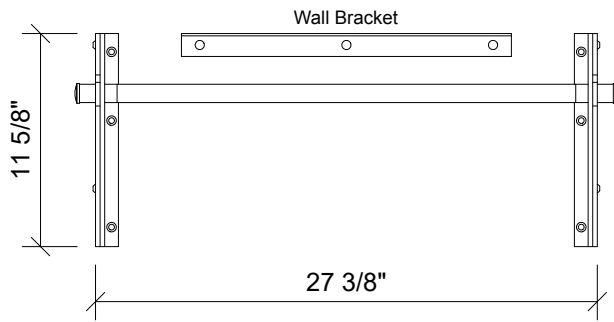
WALL MOUNT SYSTEM

**1.0" DIAMETER TUBING**

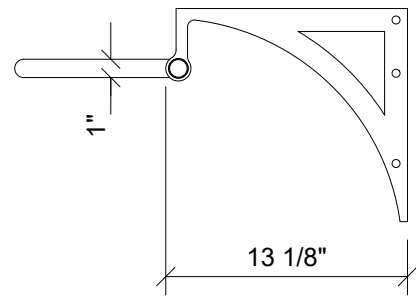


Top View

Model:  
**WMREG**



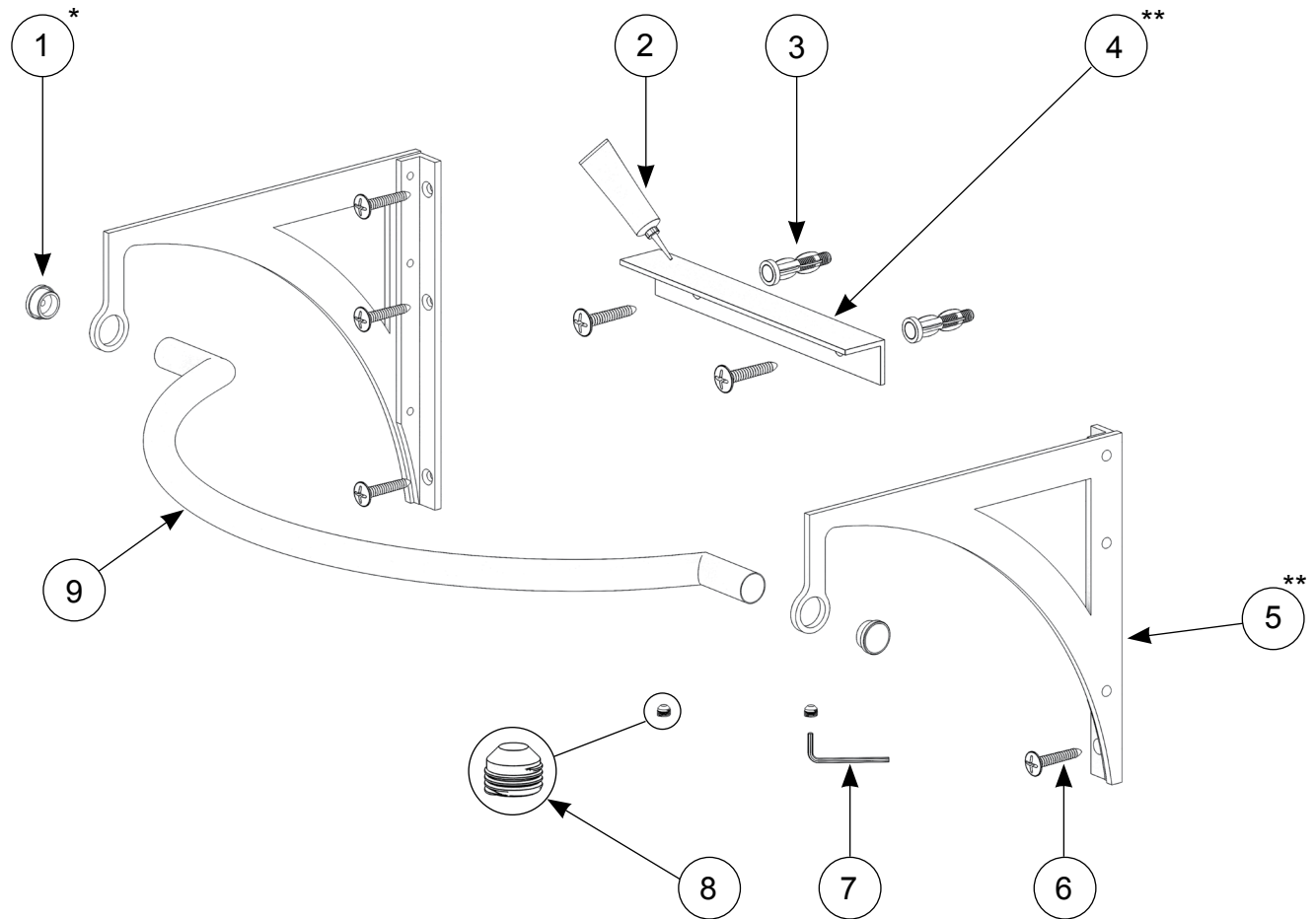
Front View



Side View

**ALL PALMER WALL MOUNT SYSTEMS REQUIRE  
SOLID WOOD BLOCKING IN THE WALL**

The Palmer Regency Model is designed specifically to fit the Stone Forest Petite Renaissance Top or counter tops of the same size and shape.



**ALL PALMER WALL MOUNT SYSTEMS REQUIRE SOLID WOOD BLOCKING IN THE WALL**

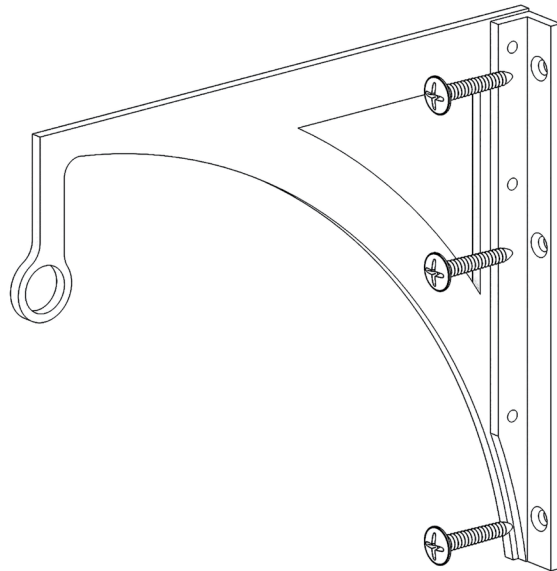
- |                       |                                    |
|-----------------------|------------------------------------|
| 1. Tube End-Cap*      | 6. Structural Screw                |
| 2. Silicone Adhesive  | 7. Hex Wrench                      |
| 3. Wall Anchor        | 8. Set Screw                       |
| 4. Wall Bracket**     | 9. Curved & Mitered Horizontal Bar |
| 5. Regency Wall Mount |                                    |

\* Tube End-Cap must be installed after Horizontal Bar has been assembled to Wall Mount

\*\* Load bearing Wall Mounts (#5) and Wall Bracket (#4) **MUST** be screwed into framing or blocking in the wall. see: Wall Bracket Installation page

## INSTALLATION INSTRUCTIONS

- Determine that you have received the correct product before unpacking and unwrapping the leg system components.
- The leg system components must be protected from abrasion and scratching during installation. Use padding on the floor to protect your console during layout and assembly.
- The Regency Wall Mount System **MUST** be securely screwed into solid wood blocking in the wall.
- Confirm that the installation is correct and complete before permanently gluing the counter top into place.



SEE ADDITIONAL PAGES FOR INSTRUCTIONS SPECIFIC TO INCLUDED OPTIONS.



# WALL BRACKET INSTALLATION INSTRUCTIONS

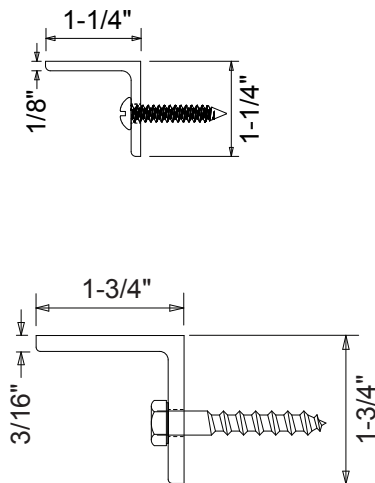
**PROPER INSTALLATION OF THE PROVIDED ALUMINUM ANGLE WALL BRACKET(S) IS CRITICALLY IMPORTANT TO THE STRUCTURAL INTEGRITY OF OUR LEG SYSTEMS.**

- Fastening the wall bracket to solid wood blocking in the wall is highly recommended. A MINIMUM OF (3) FASTENERS SHOULD BE USED. If solid blocking is not available, fasten bracket to stud framing in the wall. Use the included fasteners or fasteners of the appropriate length to engage sufficiently with the framing.
- The bracket has pre-drilled holes for easy fastening. However if the pre-drilled holes do not align with the stud framing in the wall, additional holes must be drilled into the bracket at the stud location(s).
- The wall bracket must be carefully positioned such that the top surface of the bracket is perfectly level with the top of ALL counter top supports.
- A generous bead of silicone (adhesive) must be applied to the top of the wall bracket and the tops of the legs (and rear risers if applicable) in order to secure the sink top.

## TILE WALL / DRYWALL APPLICATIONS - Standard Wall Bracket

- If the stud locations can be determined, drill holes in the tile at these locations and use #12 screws of the appropriate length to engage with the framing at least 1-1/2".
- For non-stud locations, drill 9/32" holes into the tile and use the provided red anchors and #12 screws.

**\* Standard Wall Bracket**



Bears the primary load of the counter.

