

SYNC System Installation

Please read these instructions carefully before you begin. Also, review the recommended tools section and lay out all components to assure you have the correct tools, items and quantities needed for proper installation.

Note: The SYNC system components are designed to be hung on a flat and plumb surface. Any variation in this will require the use of shims and will alter the appearance and fit of all pieces. It will also add time to the installation. This surface must be backed with appropriate blocking for the entire width of the SYNC assembly.

Caution! Stone sinks and countertops are very heavy. Please use care and caution when handling.

Important: Do not use an oil-based sealer, silicone, or plumbers putty with the stone sinks. These products will stain if applied near the surface. Use a latex-based caulk recommended for use with tile and stone.

All installation procedures must comply with all applicable local plumbing and building codes.

SYNC-BR-17 Stainless Bracket for SYNC System Sinks and Countertops

1 bracket will be required for each open side of your layout along with 1 bracket between any and all adjoining sink(s) and countertop(s).

Required tools:

Tape measure	Level	Masking or Painters Tape	Adhesive Caulk/Sealant such as DAP Qwikseal® or Henkels Polyseam Seal®	
Drill/driver	5/32" Drill bit	Screwdrivers	Pencil	Cinch Strap(s)
Scratch awl or center punch	4" magnetic bit holder			

Supplied parts:

Bracket (x1)	#3 Square drive stainless screws (x5)	Phillips head starter screw (x1)
#3 Square drive bit	Shims (x2 horizontal, x2 vertical)	

Instructions:

1. Install 2x10 blocking in wall across entire width of SYNC assembly. *See Figure 1.*
2. Finish wall to be flat and plumb
3. Layout all parts according your system configuration.
4. With a level and tape measure, place and mark a level line at the desired height of the sink top
See Figure 2.
5. Using the brackets as templates, hold to the wall according to your installation needs and mark all holes. Be sure to check all measurements and layout at this point. *See Figure 3.*
 - a. You will need to measure each component for accurate spacing of the brackets.
 - b. To locate center to center of each bracket, take the component dimension and add 3/16"
6. Pre-drill all holes at 5/32" diameter
7. **Without** the bracket in place, screw the included phillips-head starter screw into each hole and then back out. This will help thread the pre-drilled hole and make the final installation easier and less likely to strip the screw heads.
8. Screw the bracket into place using the supplied #3 square drive bit and #3 square drive stainless screws. DO NOT over tighten. Final adjustment should be done by hand, not with a power driver.
See Figure 4.
9. Check the bracket for level and square to the wall. Back out any screws and insert shims as needed.
10. Repeat steps 8. and 9. for all remaining brackets.
11. When all brackets are installed and verified for level, square and location, begin sliding in the SYNC system components. *See Figure 5.*
12. Some edges are fragile; please use care when sliding the parts in and out. Due to the tight tolerances, a little finesse might be needed to fit each piece.
13. Dry fit all pieces.
14. If installation is satisfactory, begin adhering the stone components to the brackets.
15. Slide each piece out separately approximately 3". Insert adhesive caulk into the slot on the stone in front of and behind the front rail of each bracket. *See Figure 6.*
16. Slide the piece back into position before moving on to the next component.
17. Clean up any and all excess adhesive caulk before it dries.
18. Using a cinch strap for group of components, run it completely around and tighten to pull all brackets tightly against the stone. *See Figure 7.*
19. Allow to dry according to the directions on the adhesive caulk.
20. Remove straps and apply clear adhesive caulk to all seams on top according to directions on the adhesive caulk. This will insure a waterproof surface for the SYNC installation.
21. Finish installation by installing faucets and plumbing according to manufacturers recommendations and all local plumbing and building codes.

Care & Maintenance:

-Wipe the basin dry with a soft cloth after each use.
-Clean regularly with a granite & marble cleaner, such as *Marbamist* by Stone Care International. If a household cleaner is used, it must specifically state 'safe for marble', and have a neutral pH of 7.0. Use of any other product may alter the effectiveness of the sealer.

Sealing:

-Granite, Marble & Onyx: While these products are factory sealed with a penetrating sealer, it is recommended that you perform a water bead test to determine if your product needs to be re-sealed. If the water absorbs and does not bead, your stone must be resealed. You can maintain this by applying a stone sealer such as *Stone Spray N Seal* by Stone Care International twice per year.

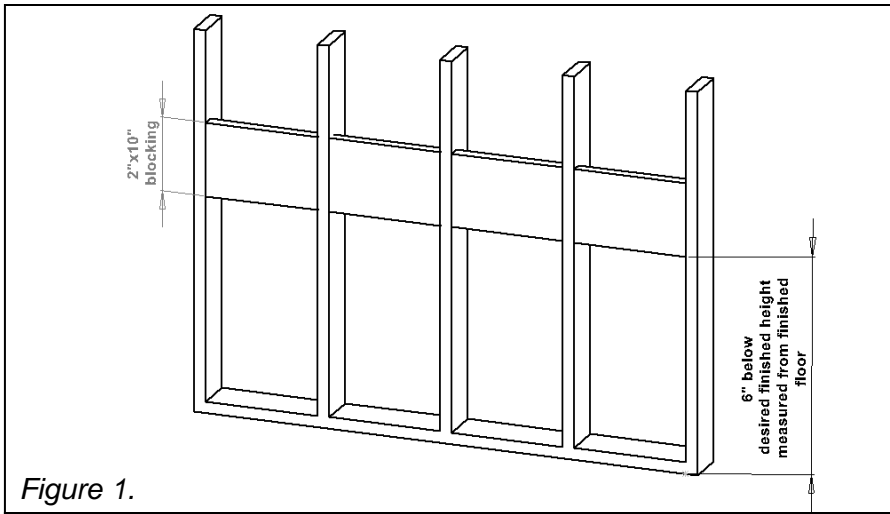


Figure 1.

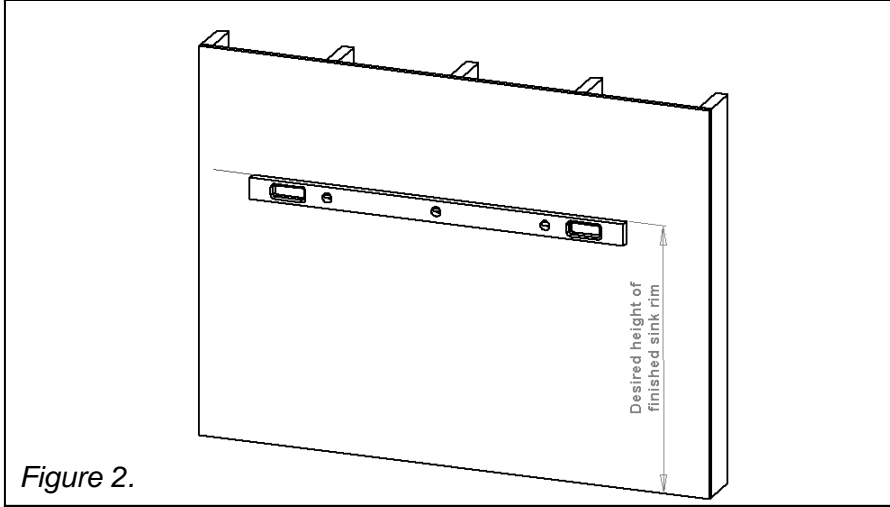


Figure 2.

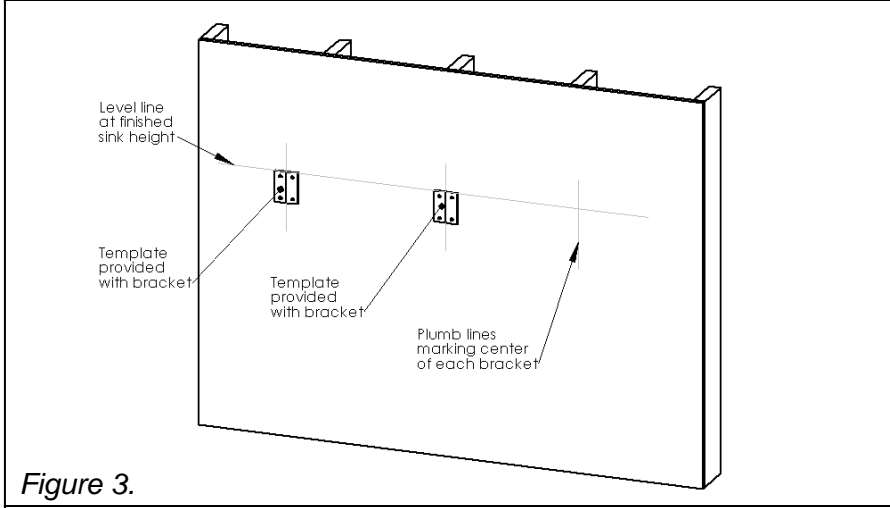


Figure 3.

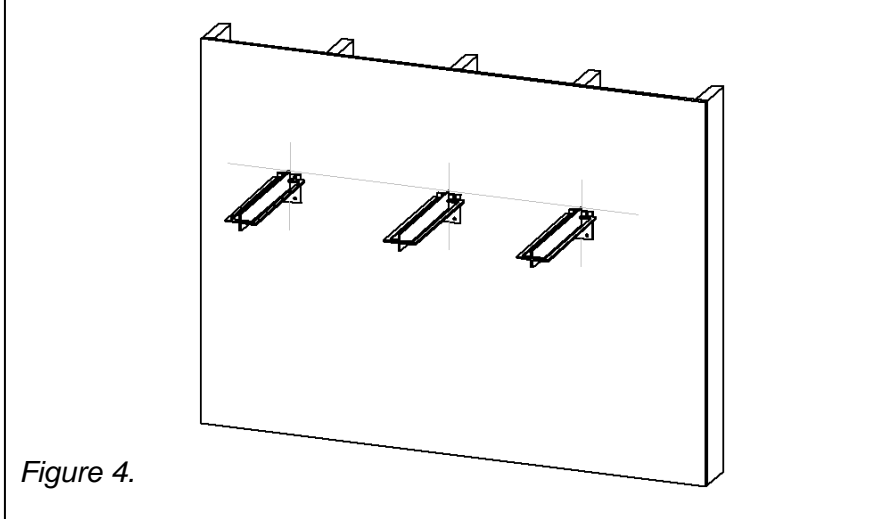


Figure 4.

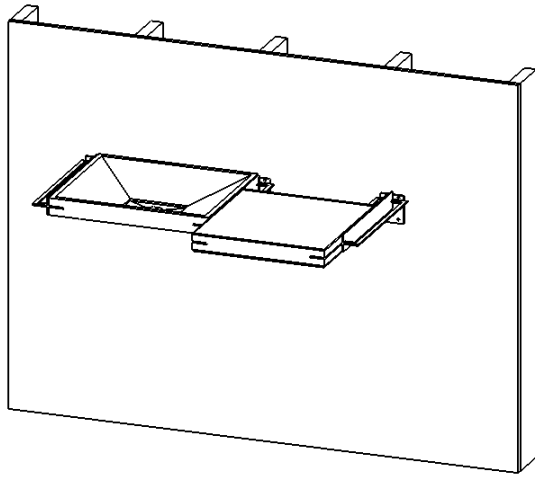


Figure 5.

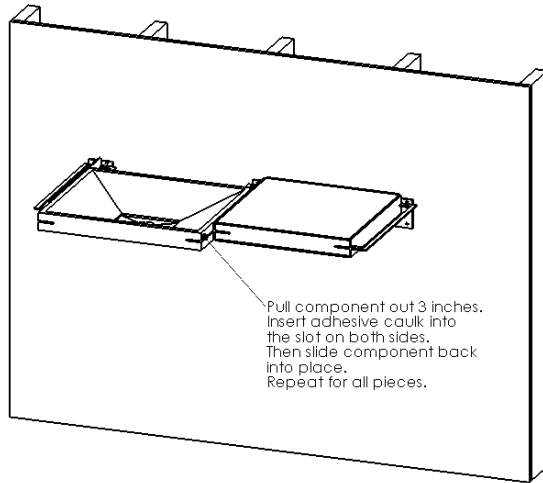


Figure 6.

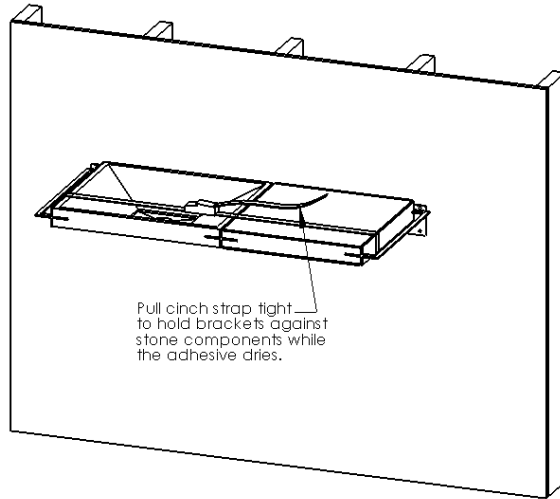


Figure 7.