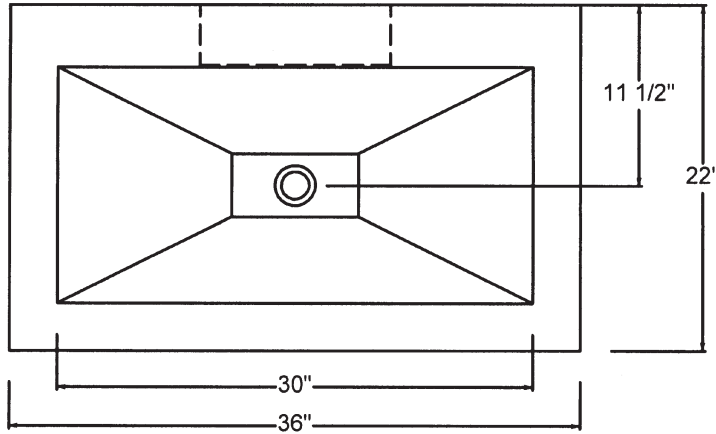


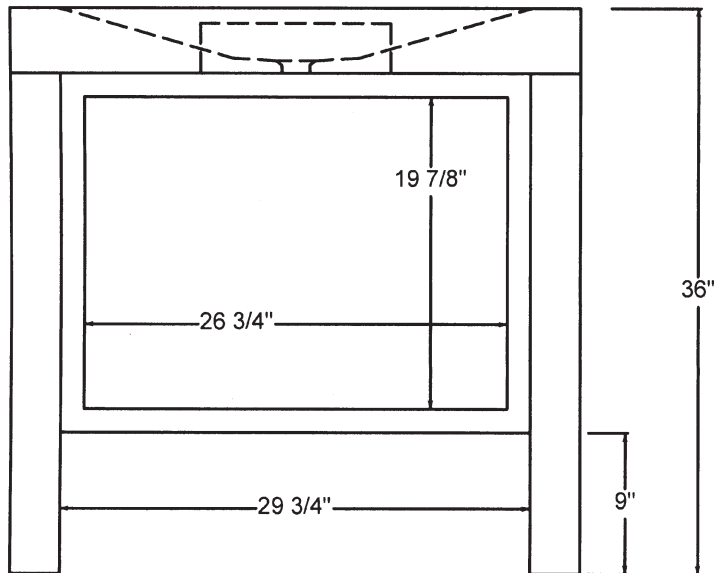
SI-IN-36  
RECESSO, INTEGRAL SINK

© 2010 STONE FOREST, INC.

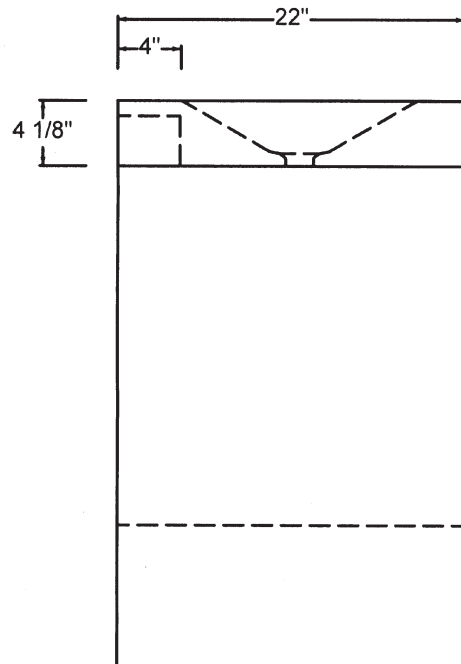


TOP VIEW

- Available in:  
Siena Silver Grey (SSG) with alder wood insert
- Approx thickness at drain is 1". Required drain use 9054D Grid Drain or 9058D Lift & Turn. This can be supplied by Stone Forest at your request in select finishes.
- Please specify quantity and location of any faucet holes when ordering
- Do not use pop-up drains
- Approx 675 lbs



FRONT VIEW



SIDE VIEW