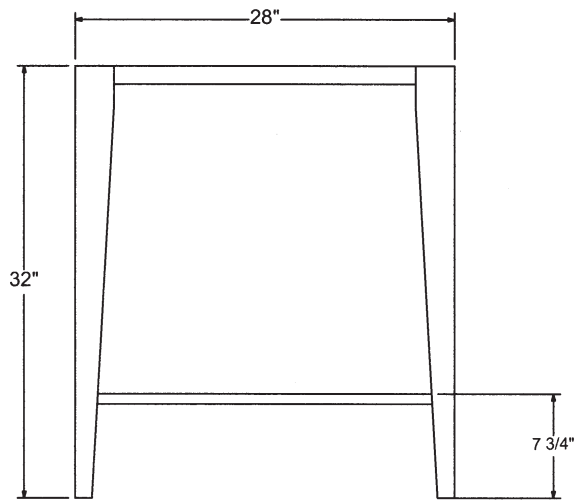




PW15 WOOD STAND FOR C24 INTEGRAL

© 2003 STONE FOREST, INC.

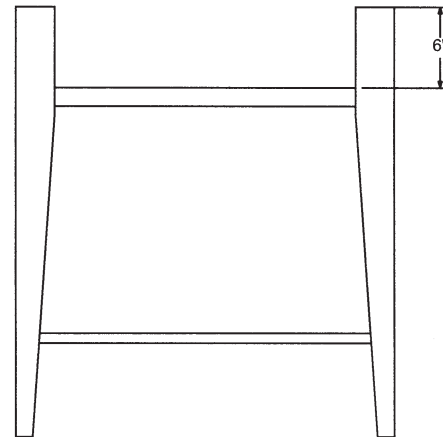


FRONT VIEW

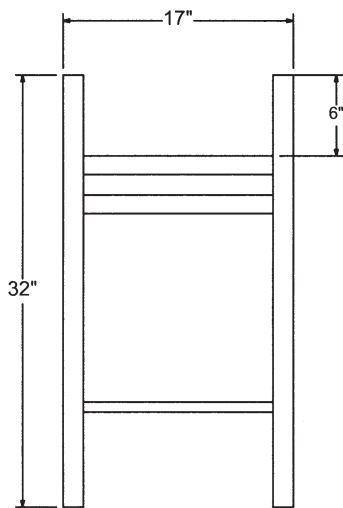
Hardwood with cherry finish. Color and grain of natural wood products will vary.

For use with C24 Integral Sink.

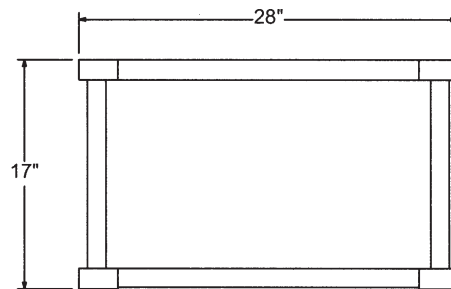
Approx 20 lbs



BACK VIEW



SIDE VIEW



TOP VIEW

STONE
FOREST